



2-INPUT XOR/XNOR

SY10EL07
SY100EL07

FEATURES

- 260ps propagation delay
- High bandwidth output transitions
- Internal 75K Ω input pull-down resistors
- Available in 8-pin SOIC package

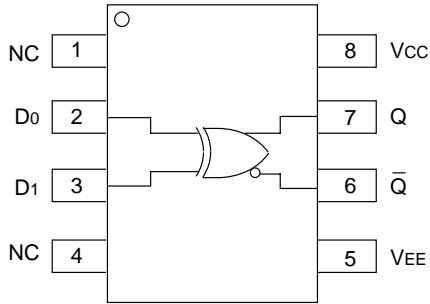
DESCRIPTION

The SY10/100EL07 are 2-input XOR/XNOR gates. These devices are functionally equivalent to the E107 devices, with higher performance capabilities. With propagation delays and output transition times significantly faster than the E107, the EL07 is ideally suited for those applications which require the ultimate in AC performance.

PIN NAMES

| Pin | Function |
|--------|--------------|
| D0, D1 | Data Inputs |
| Q | Data Outputs |

PACKAGE/ORDERING INFORMATION



8-Pin SOIC (Z8-1)

Ordering Information⁽¹⁾

| Part Number | Package Type | Operating Range | Package Marking | Lead Finish |
|---------------------------------|--------------|-----------------|---------------------------------------|----------------|
| SY10EL07ZC | Z8-1 | Commercial | HEL07 | Sn-Pb |
| SY10EL07ZCTR ⁽²⁾ | Z8-1 | Commercial | HEL07 | Sn-Pb |
| SY100EL07ZC | Z8-1 | Commercial | XEL07 | Sn-Pb |
| SY100EL07ZCTR ⁽²⁾ | Z8-1 | Commercial | XEL07 | Sn-Pb |
| SY10EL07ZI | Z8-1 | Industrial | HEL07 | Sn-Pb |
| SY10EL07ZITR ⁽²⁾ | Z8-1 | Industrial | HEL07 | Sn-Pb |
| SY100EL07ZI | Z8-1 | Industrial | XEL07 | Sn-Pb |
| SY100EL07ZITR ⁽²⁾ | Z8-1 | Industrial | XEL07 | Sn-Pb |
| SY10EL07ZG ⁽³⁾ | Z8-1 | Industrial | HEL07 with Pb-Free bar-line indicator | Pb-Free NiPdAu |
| SY10EL07ZGTR ^(2, 3) | Z8-1 | Industrial | HEL07 with Pb-Free bar-line indicator | Pb-Free NiPdAu |
| SY100EL07ZG ⁽³⁾ | Z8-1 | Industrial | XEL07 with Pb-Free bar-line indicator | Pb-Free NiPdAu |
| SY100EL07ZGTR ^(2, 3) | Z8-1 | Industrial | XEL07 with Pb-Free bar-line indicator | Pb-Free NiPdAu |

Notes:

1. Contact factory for die availability. Dice are guaranteed at T_A = 25°C, DC Electricals only.
2. Tape and Reel.
3. Pb-Free package is recommended for new designs.

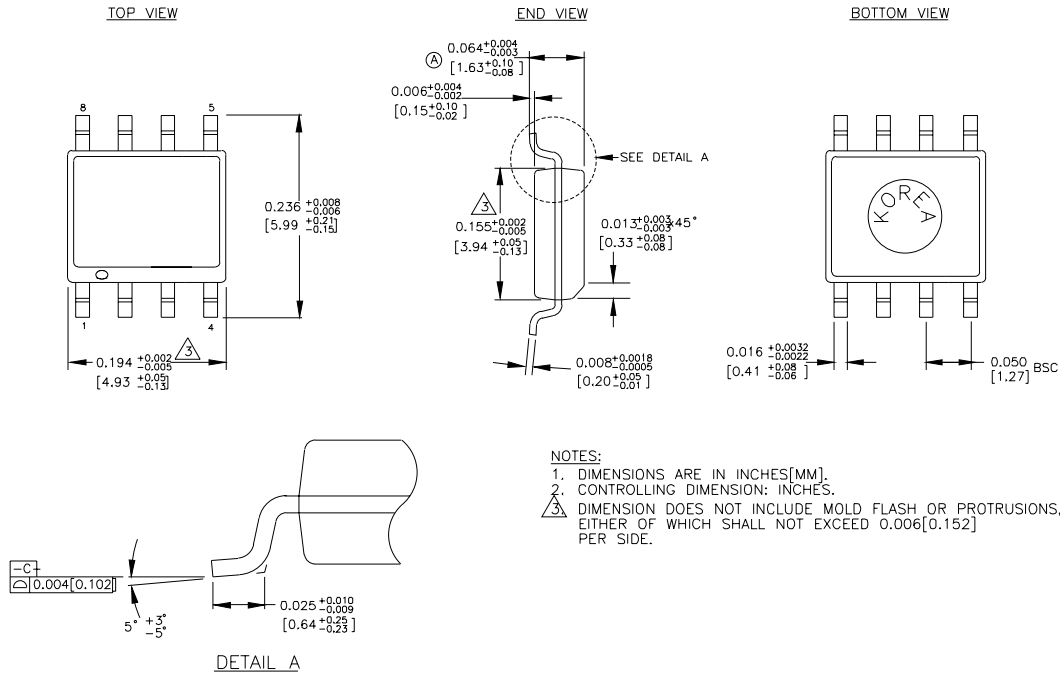
DC ELECTRICAL CHARACTERISTICSV_{EE} = V_{EE} (Min.) to V_{EE} (Max.); V_{CC} = GND

| Symbol | Parameter | T _A = -40°C | | | T _A = 0°C | | | T _A = +25°C | | | T _A = +85°C | | | Unit |
|-----------------|----------------------|------------------------|------|------|----------------------|------|------|------------------------|------|------|------------------------|------|------|------|
| | | Min. | Typ. | Max. | Min. | Typ. | Max. | Min. | Typ. | Max. | Min. | Typ. | Max. | |
| I _{EE} | Power Supply Current | | | | | | | | | | | | | mA |
| | 10EL | — | 14 | 17 | 11 | 14 | 17 | 11 | 14 | 17 | 11 | 14 | 17 | |
| | 100EL | — | 14 | 17 | 11 | 14 | 17 | 11 | 14 | 17 | 13 | 16 | 20 | |
| V _{EE} | Power Supply Voltage | | | | | | | | | | | | | V |
| | 10EL | -4.75 | -5.2 | -5.5 | -4.75 | -5.2 | -5.5 | -4.75 | -5.2 | -5.5 | -4.75 | -5.2 | -5.5 | |
| | 100EL | -4.20 | -4.5 | -5.5 | -4.20 | -4.5 | -5.5 | -4.20 | -4.5 | -5.5 | -4.20 | -4.5 | -5.5 | |
| I _{IH} | Input HIGH Current | | | | | | | | | | | | | μA |
| | D ₀ | — | — | 250 | — | — | 250 | — | — | 250 | — | — | 250 | |
| | D ₁ | — | — | 150 | — | — | 150 | — | — | 150 | — | — | 150 | |

AC ELECTRICAL CHARACTERISTICSV_{EE} = V_{EE} (Min.) to V_{EE} (Max.); V_{CC} = GND

| Symbol | Parameter | T _A = -40°C | | | T _A = 0°C | | | T _A = +25°C | | | T _A = +85°C | | | Unit |
|----------------------------------|--|------------------------|------|------|----------------------|------|------|------------------------|------|------|------------------------|------|------|------|
| | | Min. | Typ. | Max. | Min. | Typ. | Max. | Min. | Typ. | Max. | Min. | Typ. | Max. | |
| t _{PD} | Propagation Delay to Output D | 90 | 250 | 435 | 140 | 250 | 385 | 150 | 260 | 395 | 170 | 280 | 415 | ps |
| t _r t _f | Output Rise/Fall Times Q (20% to 80%) | 100 | 225 | 350 | 100 | 225 | 350 | 100 | 225 | 350 | 100 | 225 | 350 | ps |

8-PIN SOIC .150" WIDE (Z8-1)



Rev. 03

MICREL, INC. 2180 FORTUNE DRIVE SAN JOSE, CA 95131 USA

TEL + 1 (408) 944-0800 FAX + 1 (408) 474-1000 WEB <http://www.micrel.com>

The information furnished by Micrel in this datasheet is believed to be accurate and reliable. However, no responsibility is assumed by Micrel for its use. Micrel reserves the right to change circuitry and specifications at any time without notification to the customer.

Micrel Products are not designed or authorized for use as components in life support appliances, devices or systems where malfunction of a product can reasonably be expected to result in personal injury. Life support devices or systems are devices or systems that (a) are intended for surgical implant into the body or (b) support or sustain life, and whose failure to perform can be reasonably expected to result in a significant injury to the user. A Purchaser's use or sale of Micrel Products for use in life support appliances, devices or systems is at Purchaser's own risk and Purchaser agrees to fully indemnify Micrel for any damages resulting from such use or sale.

© 2006 Micrel, Incorporated.