

**FEATURES:**

- Single, Dual, & Dual Separated Models
- SMD Package
- Low ripple and noise
- High efficiency up to 83%
- Operating temperature -40°C to +85°C
- Input / Output Isolation 1000 & 3000VDC
- Pin compatible with multiple manufacturers
- RoHS compliant



**Models**  
**Single output**

Model	Input Voltage (V)	Output Voltage (V)	Output Current max (mA)	Isolation (VDC)	Efficiency (%)
AM1L-0303S-NZ	3.0-3.6	3.3	304	1000	70
AM1L-0305S-NZ	3.0-3.6	5	200	1000	71
AM1L-0312S-NZ	3.0-3.6	12	84	1000	72
AM1L-0324S-NZ	3.0-3.6	24	40	1000	72
AM1L-0503S-NZ	4.5-5.5	3.3	304	1000	70
AM1L-0505S-NZ	4.5-5.5	5	200	1000	78
AM1L-0509S-NZ	4.5-5.5	9	111	1000	74
AM1L-0512S-NZ	4.5-5.5	12	84	1000	77
AM1L-0515S-NZ	4.5-5.5	15	67	1000	78
AM1L-0524S-NZ	4.5-5.5	24	40	1000	73
AM1L-1203S-NZ	10.8-13.2	3.3	304	1000	75
AM1L-1205S-NZ	10.8-13.2	5	200	1000	73
AM1L-1209S-NZ	10.8-13.2	9	111	1000	75
AM1L-1212S-NZ	10.8-13.2	12	84	1000	79
AM1L-1215S-NZ	10.8-13.2	15	67	1000	80
AM1L-1224S-NZ	10.8-13.2	24	40	1000	73
AM1L-2403S-NZ	21.6-26.4	3.3	304	1000	70
AM1L-2405S-NZ	21.6-26.4	5	200	1000	72
AM1L-2409S-NZ	21.6-26.4	9	111	1000	72
AM1L-2412S-NZ	21.6-26.4	12	84	1000	83
AM1L-2415S-NZ	21.6-26.4	15	67	1000	81
AM1L-2424S-NZ	21.6-26.4	24	40	1000	80
AM1L-0505SH30-NZ	4.5-5.5	5	200	3000	70
AM1L-0509SH30-NZ	4.5-5.5	9	111	3000	75
AM1L-0512SH30-NZ	4.5-5.5	12	84	3000	78
AM1L-0515SH30-NZ	4.5-5.5	15	67	3000	80
AM1L-1205SH30-NZ	10.8-13.2	5	200	3000	72
AM1L-1209SH30-NZ	10.8-13.2	9	111	3000	76
AM1L-1212SH30-NZ	10.8-13.2	12	84	3000	79
AM1L-1215SH30-NZ	10.8-13.2	15	67	3000	81

**Models**  
**Dual output**

Model	Input Voltage (V)	Output Voltage (V)	Output Current max (mA)	Isolation (VDC)	Efficiency (%)
AM1L-0505D-NZ	4.5-5.5	±5	±100	1000	75
AM1L-0509D-NZ	4.5-5.5	±9	±56	1000	78
AM1L-0512D-NZ	4.5-5.5	±12	±42	1000	79
AM1L-0515D-NZ	4.5-5.5	±15	±33	1000	78
AM1L-1205D-NZ	10.8-13.2	±5	±100	1000	76
AM1L-1209D-NZ	10.8-13.2	±9	±56	1000	78
AM1L-1212D-NZ	10.8-13.2	±12	±42	1000	79
AM1L-1215D-NZ	10.8-13.2	±15	±33	1000	77
AM1L-2405D-NZ	21.6-26.4	±5	±100	1000	76
AM1L-2409D-NZ	21.6-26.4	±9	±56	1000	75
AM1L-2412D-NZ	21.6-26.4	±12	±42	1000	77
AM1L-2415D-NZ	21.6-26.4	±15	±33	1000	75

## Models

### Dual output (continue)

Model	Input Voltage (V)	Output Voltage (V)	Output Current max (mA)	Isolation (VDC)	Efficiency (%)
AM1L-0505DH30-NZ	4.5-5.5	±5	±100	3000	72
AM1L-0509DH30-NZ	4.5-5.5	±9	±56	3000	75
AM1L-0512DH30-NZ	4.5-5.5	±12	±42	3000	78
AM1L-0515DH30-NZ	4.5-5.5	±15	±33	3000	79
AM1L-1205DH30-NZ	10.8-13.2	±5	±100	3000	74
AM1L-1209DH30-NZ	10.8-13.2	±9	±56	3000	76
AM1L-1212DH30-NZ	10.8-13.2	±12	±42	3000	78
AM1L-1215DH30-NZ	10.8-13.2	±15	±33	3000	79

## Models

### Dual Separated Output

Model	Input Voltage (V)	Output Voltage (V)	Output Current max (mA)	Isolation (VDC)	Efficiency (%)
AM1L-050505D-NZ	4.5-5.5	5/5	100/100	1000	70
AM1L-050909D-NZ	4.5-5.5	9/9	56/56	1000	75
AM1L-051212D-NZ	4.5-5.5	12/12	42/42	1000	79
AM1L-051515D-NZ	4.5-5.5	15/15	33/33	1000	80
AM1L-120505D-NZ	10.8-13.2	5/5	100/100	1000	72
AM1L-120909D-NZ	10.8-13.2	9/9	56/56	1000	75
AM1L-121212D-NZ	10.8-13.2	12/12	42/42	1000	78
AM1L-121515D-NZ	10.8-13.2	15/15	33/33	1000	80

NOTE 1: Add suffix "TR" to a part number when ordering in tape and reel package

NOTE 2: All specifications in this datasheet are measured at an ambient temperature of 25°C, humidity<75%, nominal input voltage and at rated output load unless otherwise specified

## Input Specifications

Parameters	Nominal	Typical	Maximum	Units
Voltage range	3	3.0-3.6		VDC
	5	4.5-5.5		
	12	10.8-13.2		
	24	21.6-26.4		
Filter	Capacitor			

## Isolation Specifications

Parameters	Conditions	Typical	Rated	Units
Tested I/O voltage	60 sec		1000 & 3000	VDC
Tested V1 output/ V2 output	60 sec	1000		VDC
Capacitance V input/V output	500Vdc	60		pF
Capacitance V1 output/V2 output	500Vdc	60		pF
Resistance	500Vdc	> 1000		MOhm

## Output Specifications

Parameters	Conditions	Typical	Maximum	Units
Voltage accuracy	See the tolerance graph	±5		%
Voltage balance	Dual Output	±2		%
Short Circuit protection		Momentary (1sec)		
Line voltage regulation (Single)	For 1.0% of Vin	±1.2		%
Line voltage regulation (Dual)	For 1.0% of Vin	±1.2		%
Line voltage regulation (Dual Separated)	For 1.0% of Vin	±1.2		%

### Output Specifications (continued)

Parameters	Conditions	Typical	Maximum	Units
Load voltage regulation (Single)	Load 10 – 100%	10		%
Load voltage regulation (Dual)	Load 10 – 100%	10		%
Load voltage regulation (Dual Separated)	Load 10 – 100%	12.8		%
Temperature coefficient		±0.03		%/°C
Ripple & Noise	At 20MHz Bandwidth	75	100	mV p-p

If the operating output current is less than 10% of maximum it is recommended to install a load resistor in parallel with the load to ensure the actual load current meets the minimum load current requirement.

### General Specifications

Parameters	Conditions	Typical	Maximum	Units
Switching frequency	100% load	100		KHz
Max Case temperature			+95	°C
Operating temperature	Without derating	-40 to +85		°C
Storage temperature		-55 to +125		°C
Cooling		Free air convection		
Humidity			95	%
Case material		Plastic UL94-VO		
Weight		1.5		g
	Dual Separated	2.1		
Dimensions (L x W x H)	Single 1000VDC	0.50 x 0.44 x 0.25 inch	12.70 x 11.20 x 6.25 mm	
	Dual 1000VDC	0.60 x 0.44 x 0.25 inch	15.24 x 11.20 x 6.25 mm	
	Dual Separated 1000VDC	0.70 x 0.70 x 0.24 inch	17.78 x 17.78 x 6.00 mm	
	Single and Dual 3000VDC	0.6 x 0.44 x 0.26 inch	15.24 x 11.20 x 6.50 mm	
MTBF	>980 000 hrs single, 1 000 000hrs dual (MIL-HDBK -217F, Ground Benign, t=+25°C)			

### Safety Specifications

Parameters	
Agency approvals	cULus (for 3000VDC Isolated models and 5 and 12 Vin models with 1000VDC Isolation, AM1L-0303S-NZ and AM1L-0305S-NZ ) CE (for 5 and 12 Vin single models)
Standards	IEC 60950-1 2001

**Pin Out Specifications**  
**1000VDC**

Pin	Single
1	- V Input
2	+ V Input
3	N. C.
4	- V Output
5	.+V Output
6	N.C.
7	N.C.
8	N.C.

Pin	Dual
1	- V Input
2	+ V Input
3	N. C.
4	Common
5	.-V Output
6	N.C.
7	+V Output
8	N.C.
9	N.C.
10	N.C.

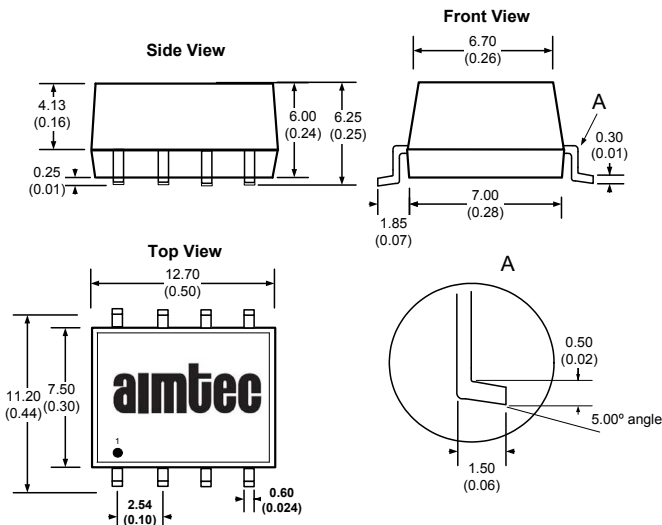
Pin	Dual Separated
1	- V Input
2	+ V Input
3	N.C.
5	- V1 Output
6	+.V1 Output
7	N.C
8	N.C
9	+.V2 Output
10	- V2 Output
12	N.C
13	N.C
14	N.C

N.C: Not Connected

**3000VDC**

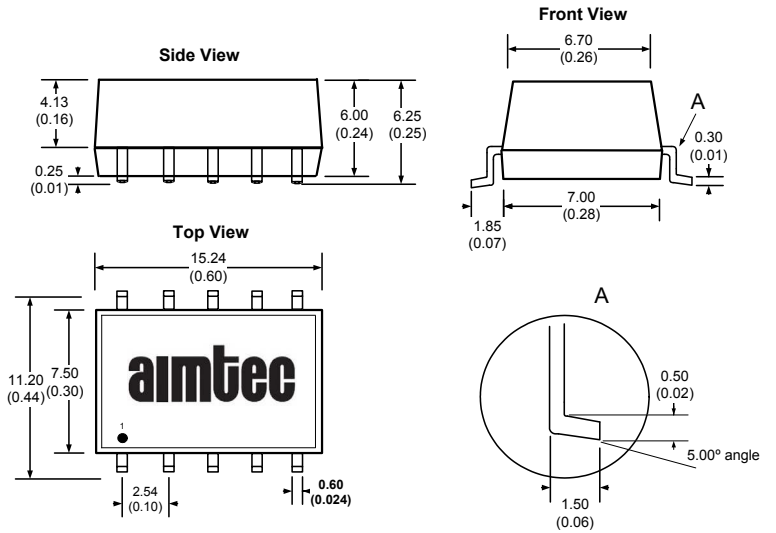
Pin	Single	Dual
1	- V Input	- V Input
2	+ V Input	+ V Input
3	N.C.	N.C.
4	Omitted	Omitted
5	-V Output	Common
6	N.C.	-V Output
7	N.C.	N.C.
8	+V Output	+V Output
9	Omitted	Omitted
10	N.C.	N.C.
11	N.C.	N.C.
12	N.C.	N.C.

**Dimensions Single 1000VDC**



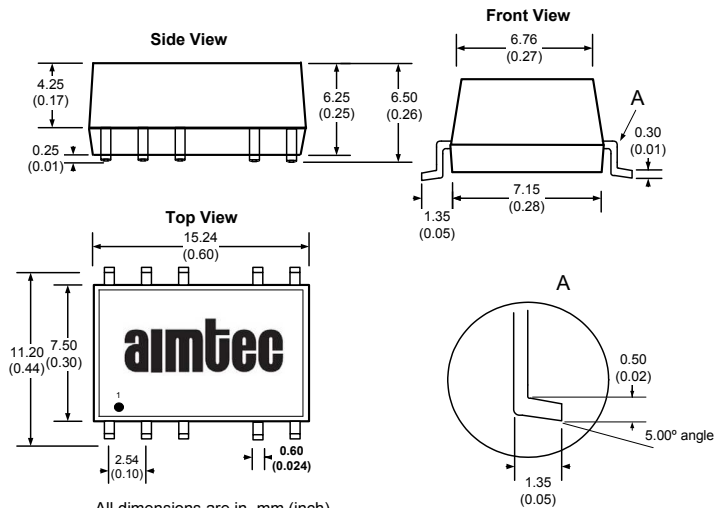
All dimensions are in mm (inch)  
All Pins are on a 2.54mm (0.10inch) pitch with tolerance of ±0.25mm (0.01inch)

**Dimensions Dual 1000VDC**



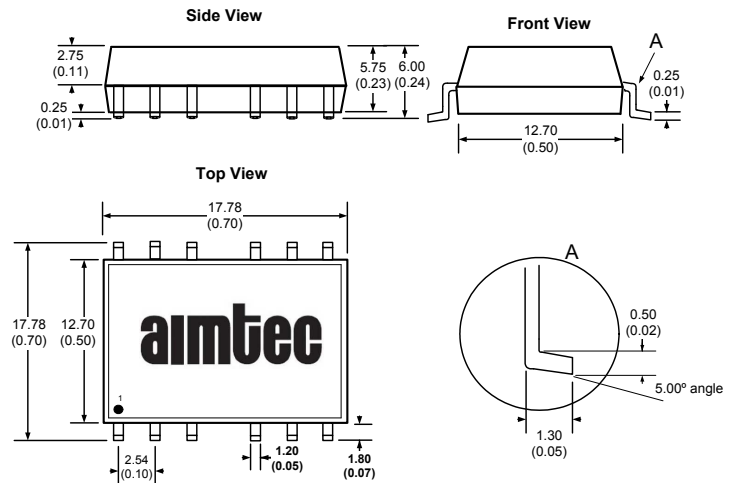
All dimensions are in mm (inch)  
All Pins are on a 2.54mm (0.10inch) pitch with tolerance of ±0.25mm (0.01inch)

**Dimensions Single and Dual 3000VDC**



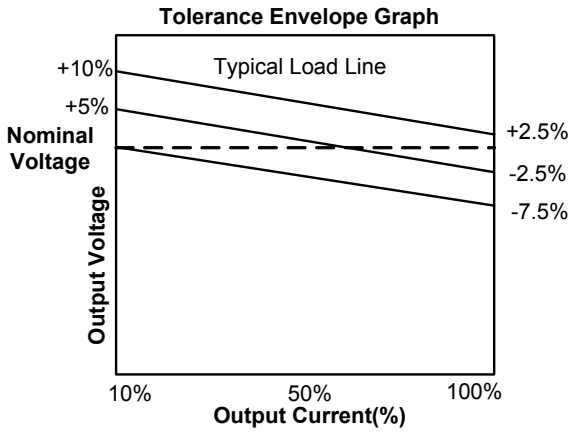
All dimensions are in mm (inch)  
All Pins are on a 2.54mm (0.10inch) pitch with tolerance of ±0.25mm (0.01inch)

**Dimensions Dual Separated 1000VDC**

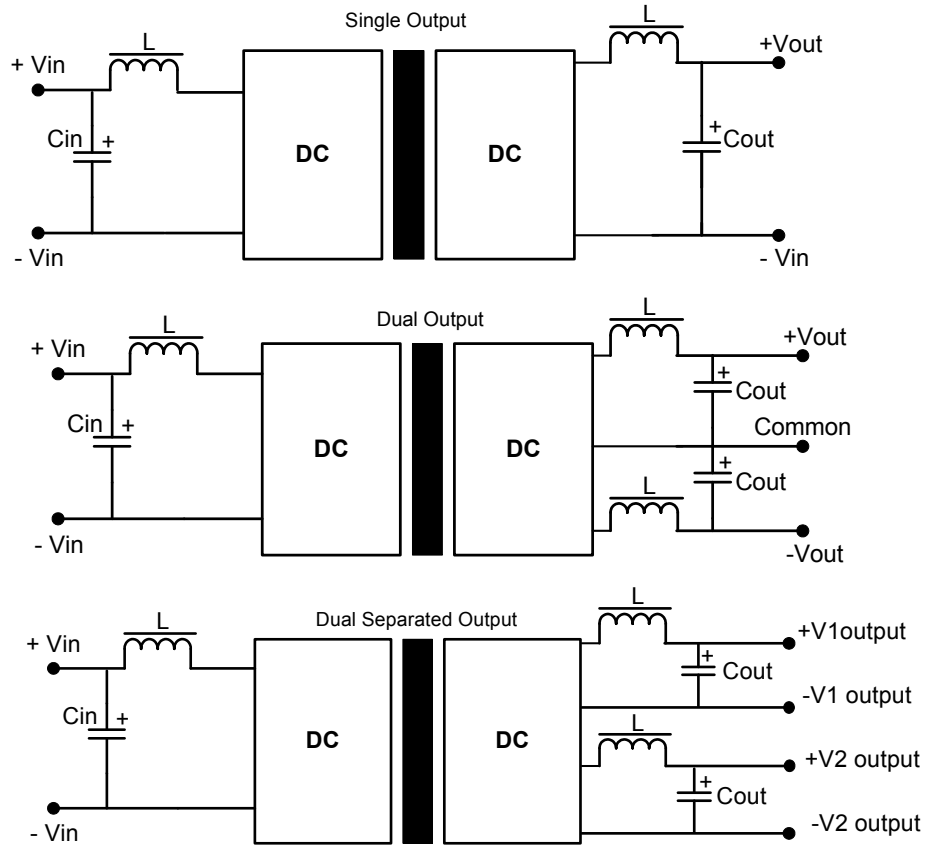


All dimensions are in mm (inch)  
All Pins are on a 2.54mm (0.10inch) pitch with tolerance of ±0.25mm (0.01inch)

### Tolerance Graph



### Recommended Filter Circuit



If it is required to decrease the input/output ripple, an “LC” filter network can be installed on the input and output of the converter (see above). It should be noted that the inductance and the resonant frequency of the “LC” filtering network should differ from the DC/DC converter switching frequency to avoid mutual interference. The capacitance of the output filter capacitor must not exceed the values in the Table below to avoid startup problems and ensure safe and reliable operation. **It's not recommended to connect any external capacitor in the application field when output loading is less than 0.5 watt.**

### External Capacitor Tables

#### Input Capacitor (C<sub>in</sub>)

V <sub>in</sub> (VDC)	C <sub>in</sub> (uF)
5	4.7
12	2.2

#### Output Capacitor (C<sub>out</sub>)

Single V <sub>out</sub> (VDC)	C <sub>out</sub> (uF)	Dual V <sub>out</sub> (Vdc)	C <sub>out</sub> (uF)	Dual Separated V <sub>out</sub> (Vdc)	C <sub>out</sub> (uF)
5	10	±5	4.7	5/5	4.7
9	4.7	±9	2.2	9/9	2.2
12	2.2	±12	1	12/12	1
15	1	±15	0.47	15/15	0.47

**NOTE:** 1. Datasheets are updated as needed and as such, specifications are subject to change without notice. Once printed or downloaded, datasheets are no longer controlled by Aimtec; refer to [www.aimtec.com](http://www.aimtec.com) for the most current product specifications. 2. Product labels shown, including safety agency certifications on labels, may vary based on the date manufactured. 3. Mechanical drawings and specifications are for reference only. 4. All specifications are measured at an ambient temperature of 25°C, humidity<75%, nominal input voltage and at rated output load unless otherwise specified. 5. Aimtec may not have conducted destructive testing or chemical analysis on all internal components and chemicals at the time of publishing this document. CAS numbers and other limited information are considered proprietary and may not be available for release. 6. This product is not designed for use in critical life support systems, equipment used in hazardous environments, nuclear control systems or other such applications which necessitate specific safety and regulatory standards other the ones listed in this datasheet. 7. Warranty is in accordance with Aimtec's standard Terms of Sale available at [www.aimtec.com](http://www.aimtec.com).