

**HIGH VOLTAGE ASSEMBLED RECTIFIER**

**VOLTAGE 20000 Volts CURRENT 0.35 Amperes**

**FEATURES**

- \* Low cost
- \* Low leakage
- \* Isolated case
- \* Surge overload rating - 50 amperes peak
- \* Mounting position: Any
- \* Low forward voltage drop

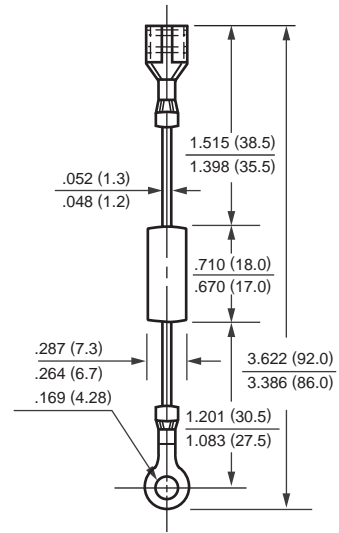
**MECHANICAL DATA**

- \* Epoxy : UL flammability classification 94V-0

**MAXIMUM RATINGS AND ELECTRICAL CHARACTERISTICS**

Ratings at 25 °C ambient temperature unless otherwise specified.  
 Single phase, half wave, 60 Hz, resistive or inductive load.  
 For capacitive load, derate current by 20%.

**HVM**



Dimensions in inches and (millimeters)

**MAXIMUM RATINGS** (At TA = 25°C unless otherwise noted)

RATINGS	SYMBOL	HVM20	UNITS
Maximum Recurrent Peak Reverse Voltage	VRRM	20	K Volts
Maximum RMS Voltage	VRMS	14	K Volts
Maximum DC Blocking Voltage	VDC	20	K Volts
Maximum Average Forward Rectified Current at TA = 50°C	IO	350	mAmps
Peak Forward Surge Current 8.3 ms single half sine-wave superimposed on rated load (JEDEC method)	IFSM	50	Amps
Operating and Storage Temperature Range	TJ, TSTG	-20 to +135	°C

**ELECTRICAL CHARACTERISTICS** (At TA = 25°C unless otherwise noted)

CHARACTERISTICS	SYMBOL	HVM20	UNITS
Maximum Instantaneous Forward Voltage at 0.35A DC	VF	<b>14</b>	Volts
Maximum DC Reverse Current at Rated DC Blocking Voltage	IR	5.0	uAmps

- NOTES: 1. Enough heat sink must be considered in application.  
 2. Operating and Storage Temperature : -20°C to +135°C  
 3. Suffix " L " for Wire type.

## RATING AND CHARACTERISTIC CURVES OF HVM20

FIG. 1 - TYPICAL FORWARD CURRENT DERATING CURVE

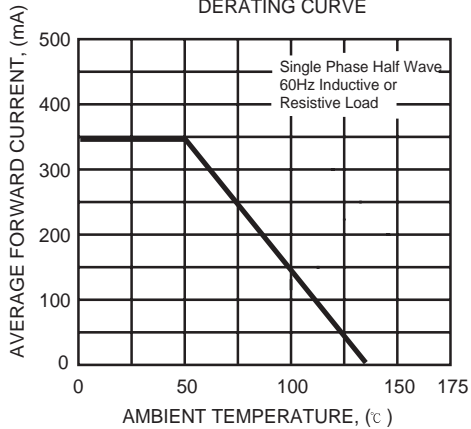


FIG. 2 - MAXIMUM NON-REPETITIVE FORWARD SURGE CURRENT

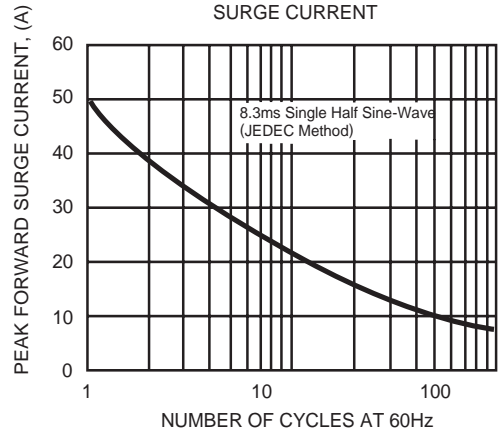


FIG. 3 - TYPICAL REVERSE CHARACTERISTICS

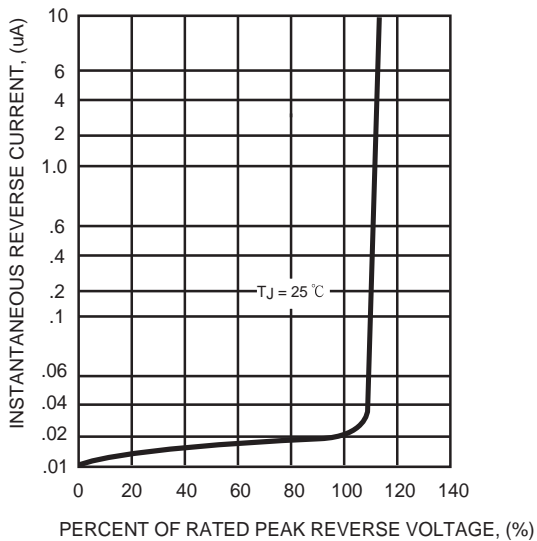


FIG. 4 - TYPICAL INSTANTANEOUS FORWARD CHARACTERISTICS

