



LIGHTING FOREVER

6 PIN DIP PHOTO COUPLER Schmitt Trigger

H11Lx Series

Features:

- High data rate, 1MHz typical (NRZ)
- Free from latch up and oscillation throughout voltage and temperature ranges.
- Microprocessor compatible drive
- Logic compatible output sinks 16mA at 0.4V maximum
- Guaranteed on/off threshold hysteresis
- Wide supply voltage capability, compatible with all popular logic systems
- High isolation voltage between input and output (Viso=5000 V rms)
- Compact dual-in-line package
- Pb free and RoHS compliant.
- UL approved (No. E214129)
- VDE approval (No.132249)
- SEMKO approved
- NEMKO approved
- DEMKO approved
- FIMKO approved
- CSA approved (No. 2007798)



Description

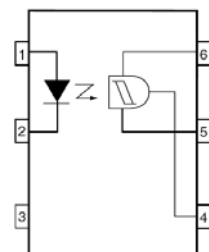
The H11LX series of devices each consist of a GaAs infrared emitting diode optically coupled a high speed integrated circuit detector. The output detector incorporates a Schmitt trigger, which provides hysteresis for noise immunity and pulse shaping.

The devices are in a 6-pin DIP package and available in wide-lead spacing and SMD option.

Applications

- Logic to logic isolator
- Programmable current level sensor
- Line receiver — eliminate noise and transient problems
- AC to TTL conversion — square wave shaping
- Digital programming of power supplies
- Interfaces computers with peripherals

Schematic



1. Anode
2. Cathode
3. No Connection
4. V_O
5. GND
6. V_{CC}

Truth Table

Input	Output
H	L
L	H



LIGHTING FOREVER

6 PIN DIP PHOTO COUPLER Schmitt Trigger

H11Lx Series

Absolute Maximum Ratings ($T_a=25^{\circ}\text{C}$)

Parameter		Symbol	Rating	Unit
Input	Forward current	I_F	60	mA
	Reverse voltage	V_R	6	V
	Power dissipation	P_D	120	mW
Output	V_{45} Allowed Range	V_o	0 to 16	V
	V_{65} Allowed Range	V_{CC}	3 to 16	V
	Output Current	I_o	50	mA
	power dissipation	P_D	150	mW
Total power dissipation		P_{tot}	250	mW
Isolation voltage ^{*1}		V_{iso}	5000	V rms
Operating temperature		T_{opr}	-55~+100	°C
Storage temperature		T_{stg}	-55~+150	°C
Soldering temperature ^{*2}		T_{sol}	260	°C

Notes

*1 AC for 1 minute, R.H.= 40 ~ 60% R.H. In this test, pins 1, 2 & 3 are shorted together, and pins 4, 5 & 6 are shorted together.

*2 For 10 seconds.



LIGHTING FOREVER

6 PIN DIP PHOTO COUPLER

Schmitt Trigger

H11Lx Series

Electrical Characteristics ($T_a=25^\circ\text{C}$ unless specified otherwise)

Input

Parameter	Symbol	Min.	Typ.*	Max.	Unit	Condition
Forward voltage	V_F	-	1.15	1.5	V	$I_F = 10\text{mA}$
Reverse Leakage current	I_R	-	-	10	μA	$V_R = 5\text{V}$
Capacitance	C_J	-	-	100	pF	$V=0, f=1\text{MHz}$

Output

Parameter	Symbol	Min.	Typ.*	Max.	Unit	Condition
Operation Voltage Range	V_{CC}	3	-	15	V	
Supply Current	$I_{CC(\text{off})}$	-	1.6	5	mA	$I_F=0\text{mA}, V_{CC}=5\text{V}$
Output Current, High	I_{OH}	-	-	100	μA	$I_F=0\text{mA}, V_{CC}=V_O=15\text{V}$
Isolation Resistance	R_{ISO}	10^{11}	-	-	Ω	$V_{I-O}=500\text{VDC}$

Transfer Characteristics

Parameter	Symbol	Min.	Typ.*	Max.	Unit	Condition
Supply Current	$I_{CC(\text{on})}$	-	1.6	5	mA	$I_F=10\text{mA}, V_{CC}=5\text{V}$
Output Voltage .low	V_{OL}	-	-	0.4	V	$V_{CC}=5\text{V}, I_F=I_{Fon}(\text{max.}), R_L=270\Omega$
Turn on Threshold Current ¹	H11L1	-	-	1.6	mA	$V_{CC}=5\text{V}, R_L=270\Omega$
	H11L2	-	-	10		
	H11L3	-	-	5		
Turn off Threshold Current	I_{Foff}	-	1	-	mA	$V_{CC}=5\text{V}, R_L=270\Omega$
Hysteresis Ratio	I_{Fon}/I_{Foff}	0.5	-	0.9		$V_{CC}=5\text{V}, R_L=270\Omega$
Turn on Time	t_{on}	-	-	4	μS	$V_{CC}=5\text{V}, I_F=I_{Fon}, R_L=270\Omega$
Fall Time	t_f	-	0.1	-	μS	
Turn off Time	t_{off}	-	-	4	μS	
Rise Time	t_r	-	0.1	-	μS	
Data Rate		-	1	-	MHz	

* Typical values at $T_a = 25^\circ\text{C}$

¹. Max. $I_{F(ON)}$ is the maximum current required to trigger the output. For examples, a 1.6mA maximum trigger current would require the LED to be driven at a current greater than 1.6mA to guarantee the device will turn on. A 10% guard band is recommended to account for degradation of the LED over its lifetime. The maximum allowable LED drive current is 60mA.

6 PIN DIP PHOTO COUPLER Schmitt Trigger

H11Lx Series

Typical Performance Curves

Figure 1. Forward Current vs Forward Voltage

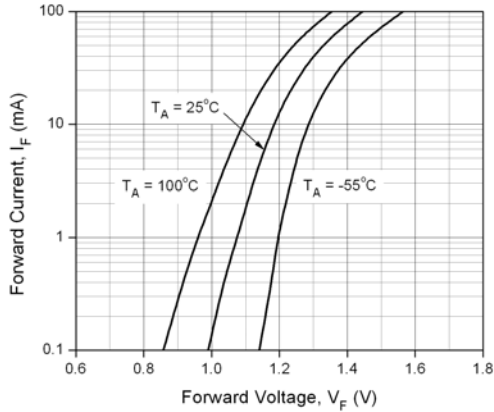


Figure 2. Transfer Characteristics

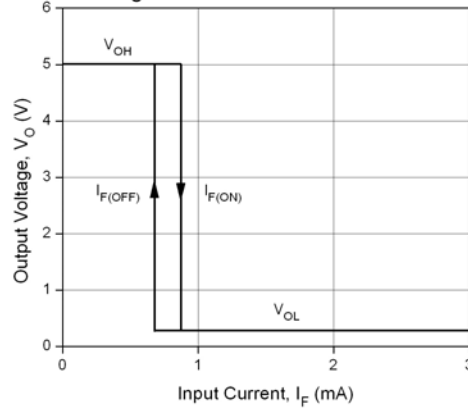


Figure 3. Turn On Threshold Current vs Supply Voltage

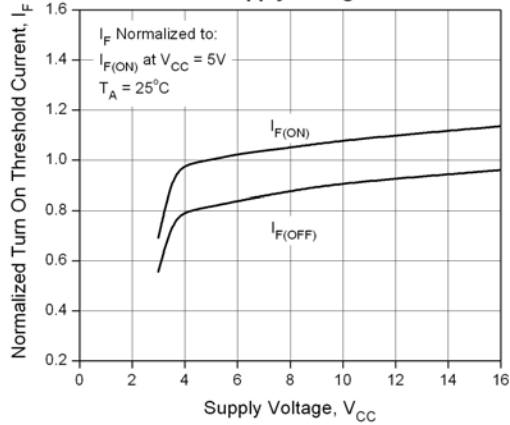


Figure 4. Turn On Threshold Current vs Ambient Temperature

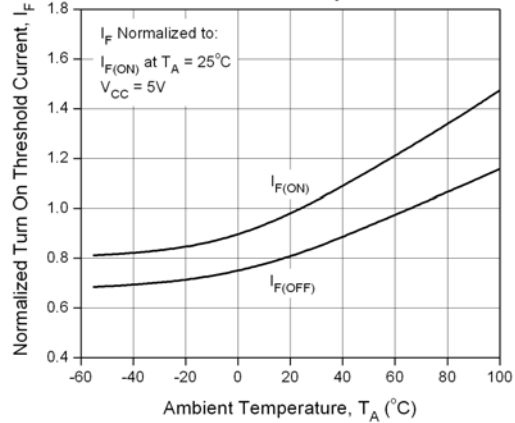


Figure 5. Low Level Output Voltage vs Load Current

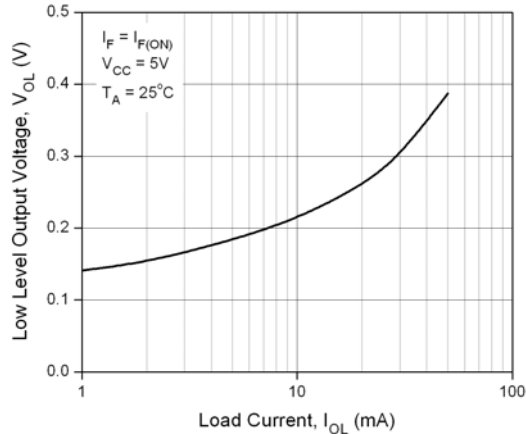
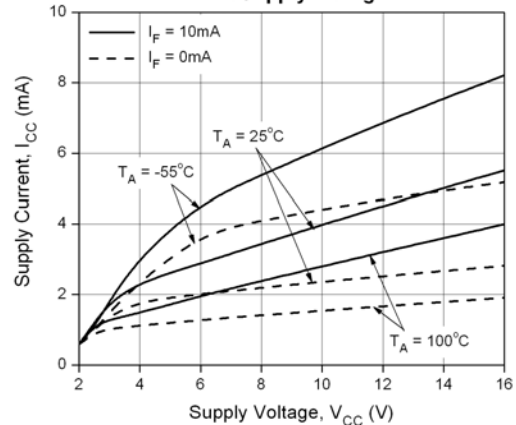


Figure 6. Supply Current vs Supply Voltage





LIGHTING FOREVER

6 PIN DIP PHOTO COUPLER Schmitt Trigger

H11Lx Series

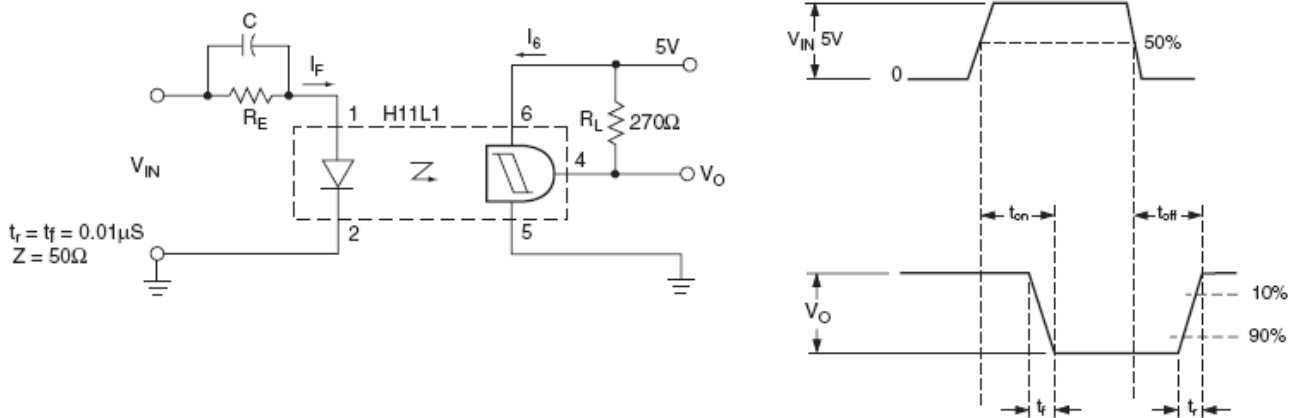


Figure. 7 Switching test circuit and waveform

Order Information

Part Number

H11LXY(Z)-V

Note

- X = Part No. for 1, 2 or 3
- Y = Lead form option (S, S1, M or none)
- Z = Tape and reel option (TA, TB or none).
- V = VDE (optional)

Option	Description	Packing quantity
None	Standard DIP-6	65 units per tube
M	Wide lead bend (0.4 inch spacing)	65 units per tube
S + TA	Surface mount lead form + TA tape & reel option	1000 units per reel
S + TB	Surface mount lead form + TB tape & reel option	1000 units per reel
S1 + TA	Surface mount lead form (low profile) + TA tape & reel option	1000 units per reel
S1 + TB	Surface mount lead form (low profile) + TB tape & reel option	1000 units per reel



LIGHTING FOREVER

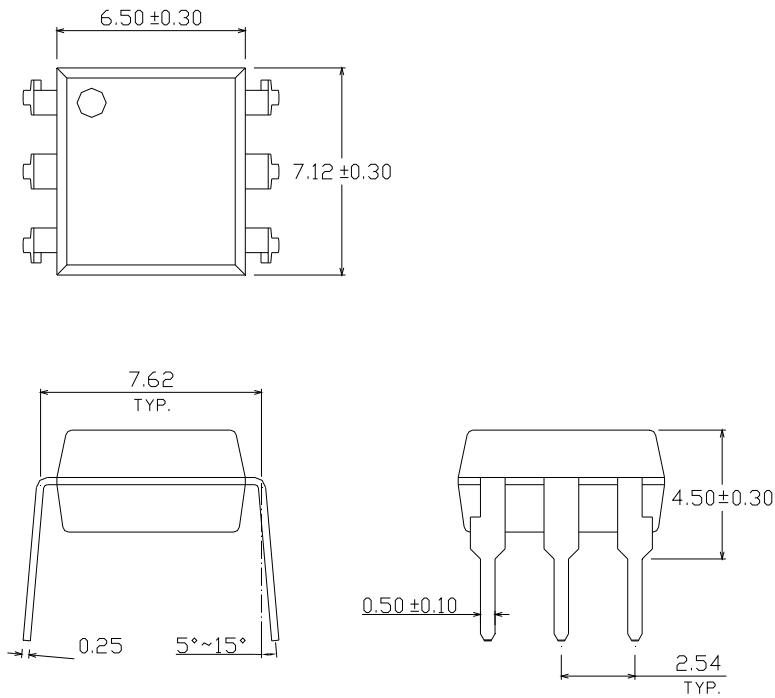
6 PIN DIP PHOTO COUPLER Schmitt Trigger

H11Lx Series

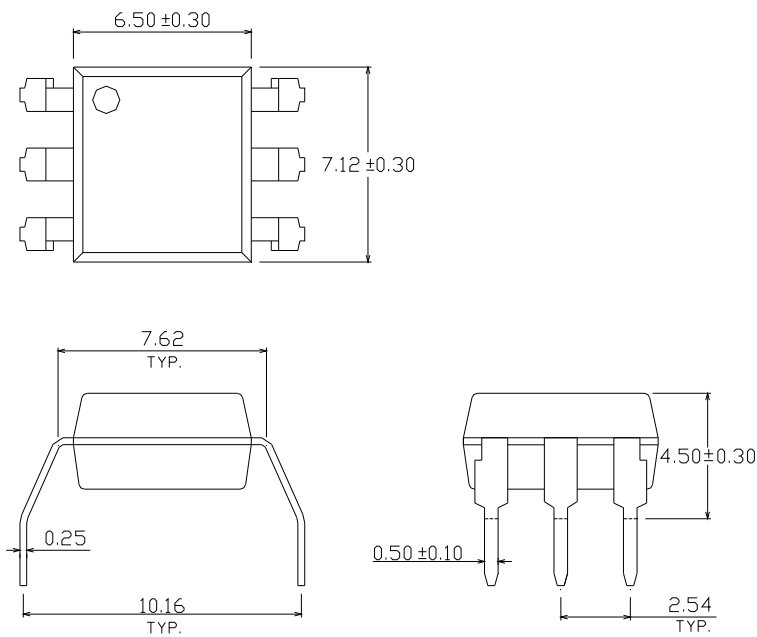
Package Drawings

(Dimensions in mm)

Standard DIP Type



Option M Type



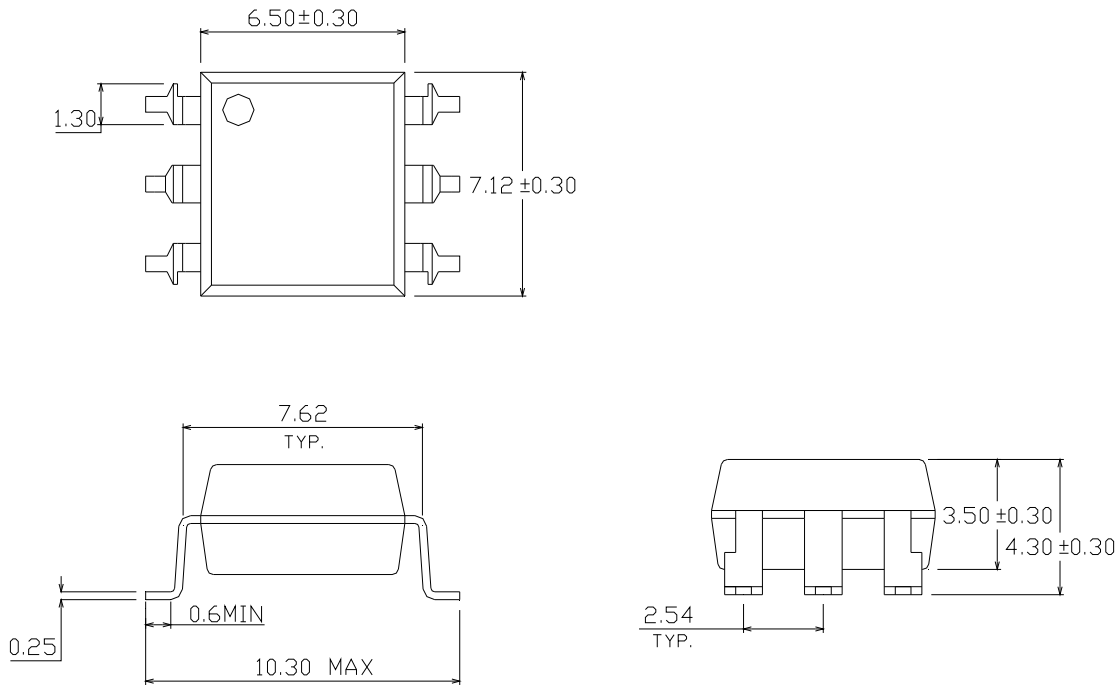


LIGHTING FOREVER

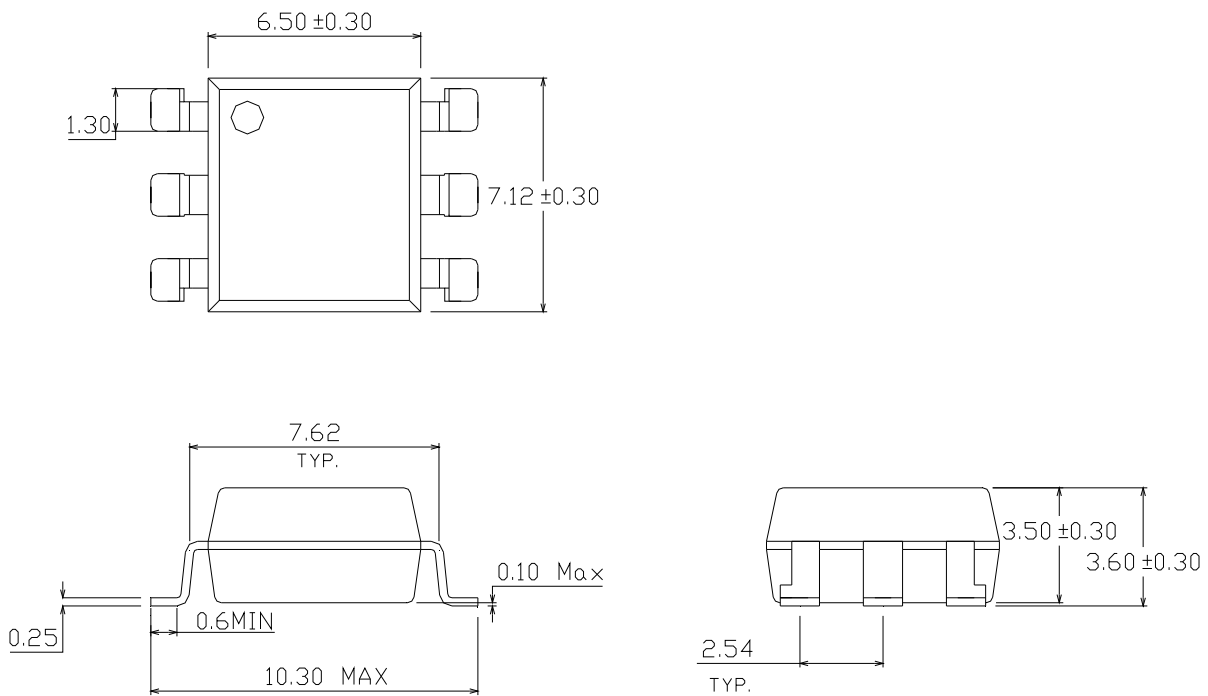
6 PIN DIP PHOTO COUPLER Schmitt Trigger

H11Lx Series

Option S Type



Option S1 Type



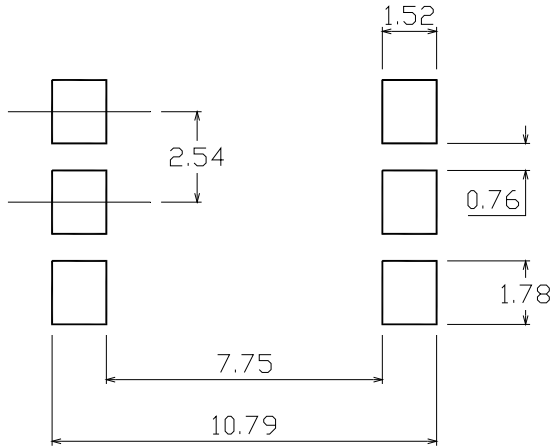


LIGHTING FOREVER

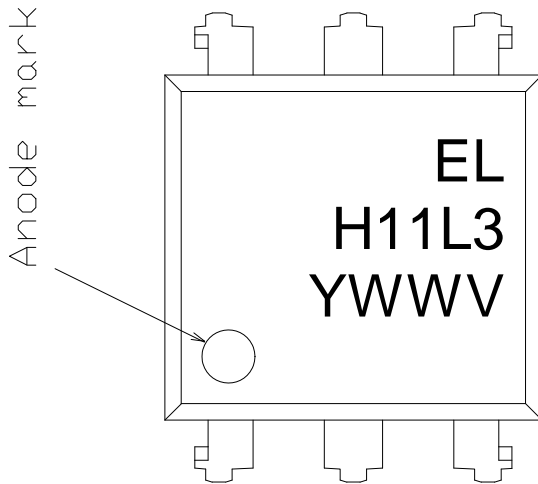
6 PIN DIP PHOTO COUPLER Schmitt Trigger

H11Lx Series

Recommended pad layout for surface mount leadform



Device Marking



Notes

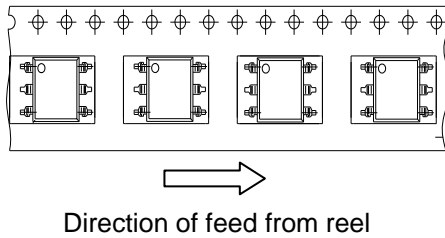
- EL denotes Everlight
- H11L3 denotes Device Number
- Y denotes 1 digit Year code
- WW denotes 2 digit Week code
- V denotes VDE (optional)

6 PIN DIP PHOTO COUPLER Schmitt Trigger

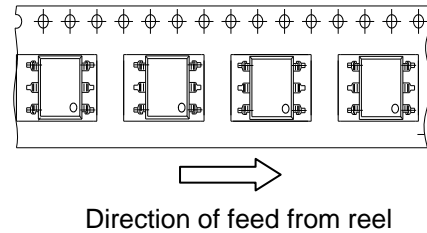
H11Lx Series

Tape & Reel Packing Specifications

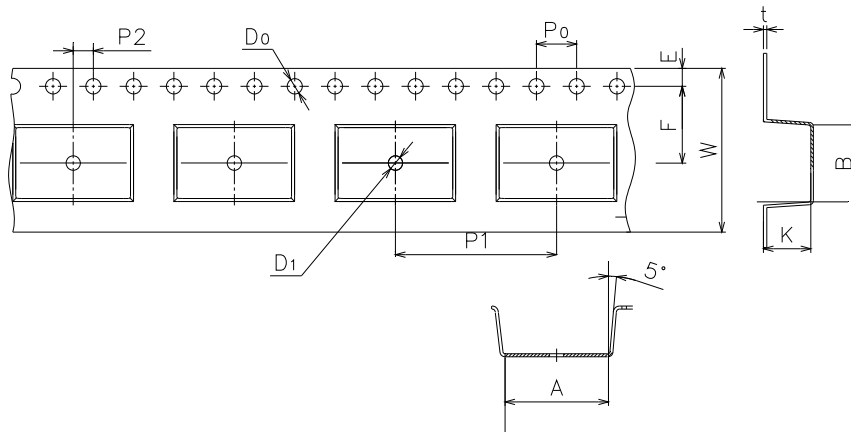
Option TA



Option TB



Tape dimensions



Dimension No.	A	B	Do	D1	E	F
Dimension (mm)	10.4±0.1	7.52±0.1	1.5±0.1	1.5+0.1/-0	1.75±0.1	7.5±0.1

Dimension No.	Po	P1	P2	t	W	K
Dimension (mm)	4.0±0.15	1.6±0.1	2.0±0.1	0.35±0.03	16.0±0.2	4.5±0.1

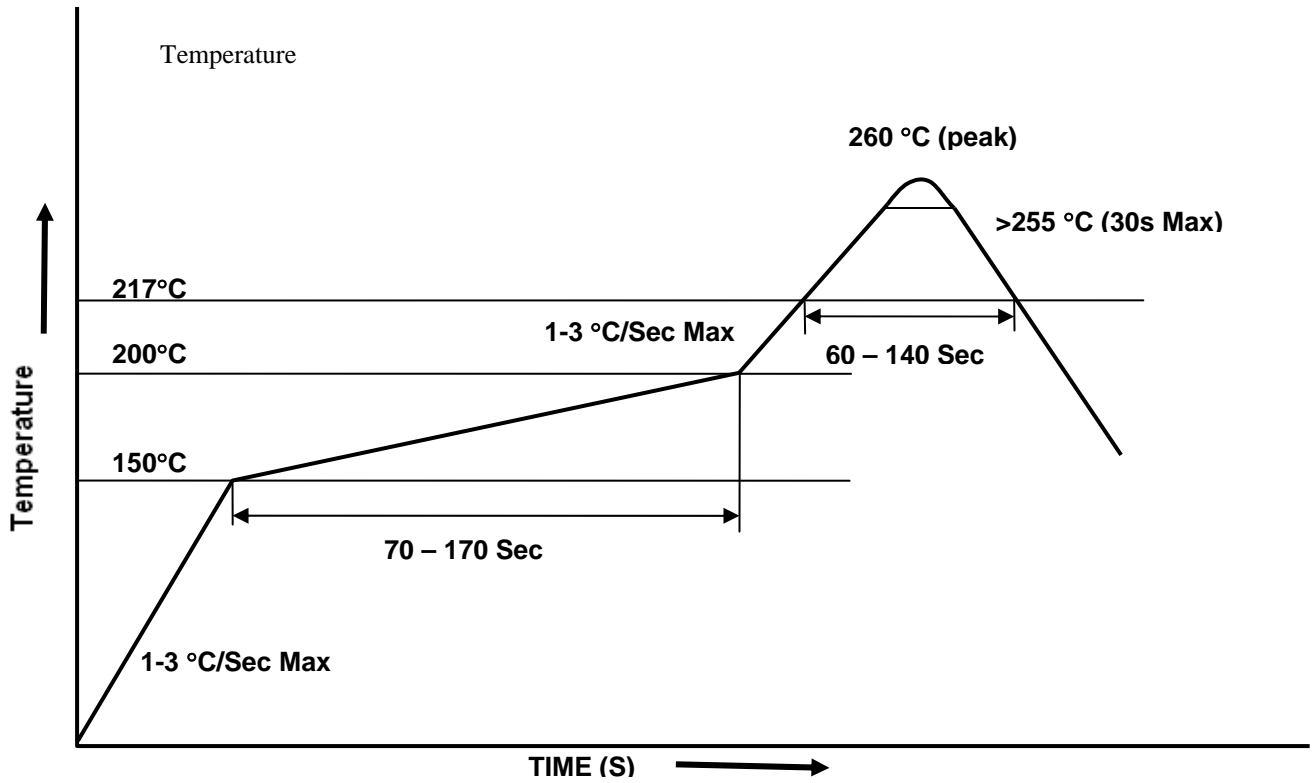


LIGHTING FOREVER

6 PIN DIP PHOTO COUPLER Schmitt Trigger

H11Lx Series

Solder Reflow Temperature Profile





LIGHTING FOREVER

6 PIN DIP PHOTO COUPLER Schmitt Trigger

H11Lx Series

DISCLAIMER

1. The specifications in this datasheet may be changed without notice. EVERLIGHT reserves the authority on material change for above specification.
2. When using this product, please observe the absolute maximum ratings and the instructions for use as outlined in this datasheet. EVERLIGHT assumes no responsibility for any damage resulting from use of the product which does not comply with the absolute maximum ratings and the instructions included in this datasheet.
3. These specification sheets include materials protected under copyright of EVERLIGHT. Reproduction in any form is prohibited without the specific consent of EVERLIGHT.