

8 PIN DIP PHOTOTRANSISTOR PHOTOCOUPLER

EL827 Series

Features:

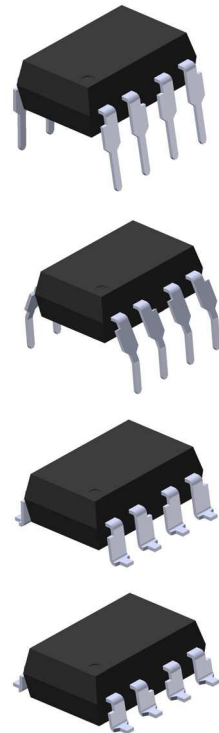
- Current transfer ratio
(CTR: 50~600% at $I_F = 5\text{mA}$, $V_{CE} = 5\text{V}$)
- High isolation voltage between input and output ($V_{iso} = 5000\text{ V rms}$)
- Compact small outline package
- Pb free and RoHS compliant.
- UL approved (No. E214129)
- VDE approved (No. 132249)
- SEMKO approved
- NEMKO approved
- DEMKO approved
- FIMKO approved
- CSA approved
- CQC approved

Description

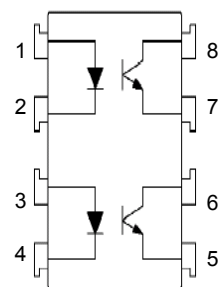
The EL827series devices each of consist of an infrared emitting diodes, optically coupled to a phototransistor detector. They are packaged in a 8-pin DIP package and available in wide-lead spacing and SMD option.

Applications

- Programmable controllers
- System appliances, measuring instruments
- Telecommunication equipments
- Home appliances, such as fan heaters, etc.
- Signal transmission between circuits of different potentials and impedances



Schematic



Pin Configuration

1, 3. Anode
2, 4. Cathode
5, 7. Emitter
6, 8. Collector



LIGHTING FOREVER

8 PIN DIP PHOTOTRANSISTOR PHOTOCOUPLER

EL827 Series

Absolute Maximum Ratings ($T_a=25^{\circ}\text{C}$)

Parameter		Symbol	Rating	Unit
Input	Forward current	I_F	60	mA
	Peak forward current (1us, pulse)	I_{FP}	1	A
	Reverse voltage	V_R	6	V
	Power dissipation	P_D	100	mW
Output	Power dissipation	P_C	150	mW
	Collector current	I_C	50	mA
	Collector-Emitter voltage	V_{CEO}	80	V
	Emitter-Collector voltage	V_{ECO}	7	V
Total power dissipation		P_{TOT}	200	mW
Isolation voltage ^{*1}		V_{ISO}	5000	V rms
Operating temperature		T_{OPR}	-55 ~ +110	$^{\circ}\text{C}$
Storage temperature		T_{STG}	-55 ~ +125	$^{\circ}\text{C}$
Soldering temperature ^{*2}		T_{SOL}	260	$^{\circ}\text{C}$

Notes

*1 AC for 1 minute, R.H.= 40 ~ 60% R.H. In this test, pins 1 & 2 are shorted together, and pins 3 & 4 are shorted together.

*2 For 10 seconds.



LIGHTING FOREVER

8 PIN DIP PHOTOTRANSISTOR PHOTOCOUPLER

EL827 Series**Electrical Characteristics ($T_a=25^\circ\text{C}$ unless specified otherwise)****Input**

Parameter	Symbol	Min.	Typ.*	Max.	Unit	Condition
Forward voltage	V_F	-	1.2	1.4	V	$I_F = 20\text{mA}$
Reverse current	I_R	-	-	10	μA	$V_R = 4\text{V}$
Input capacitance	C_{in}	-	30	250	pF	$V = 0, f = 1\text{kHz}$

Output

Parameter	Symbol	Min.	Typ.*	Max.	Unit	Condition
Collector-Emitter dark current	I_{CEO}	-	-	100	nA	$V_{CE} = 20\text{V}, I_F = 0\text{mA}$
Collector-Emitter breakdown voltage	BV_{CEO}	80	-	-	V	$I_C = 0.1\text{mA}$
Emitter-Collector breakdown voltage	BV_{ECO}	7	-	-	V	$I_E = 0.1\text{mA}$

Transfer Characteristics ($T_a=25^\circ\text{C}$ unless specified otherwise)

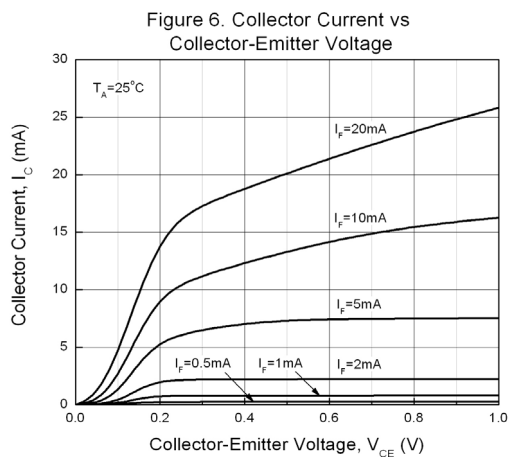
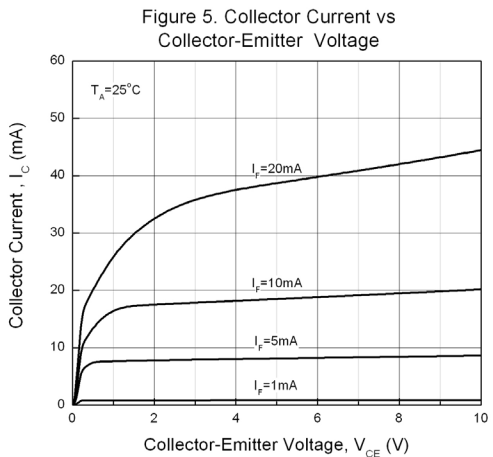
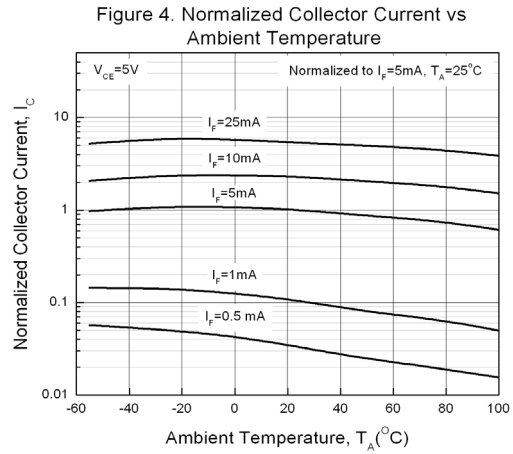
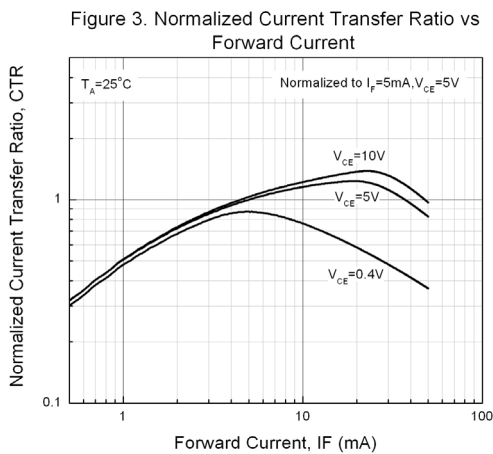
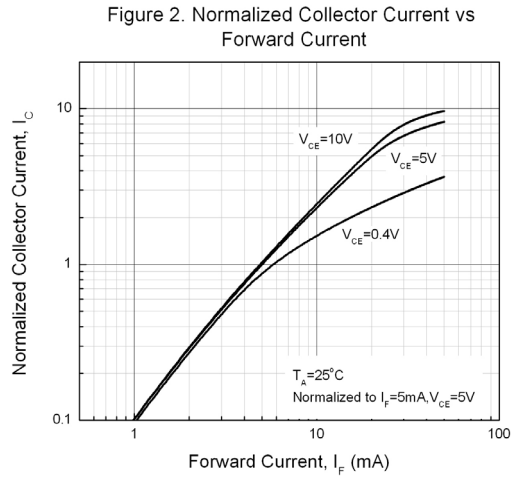
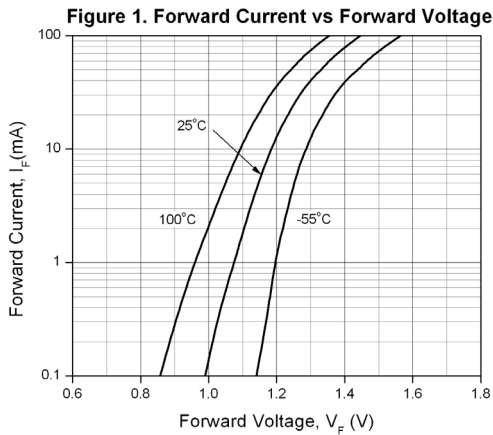
Parameter	Symbol	Min.	Typ.*	Max.	Unit	Condition
Current Transfer ratio	CTR	50	-	600	%	$I_F = 5\text{mA}, V_{CE} = 5\text{V}$
Collector-Emitter saturation voltage	$V_{CE(sat)}$	-	0.1	0.2	V	$I_F = 20\text{mA}, I_C = 1\text{mA}$
Isolation resistance	R_{IO}	5×10^{10}	-	-	Ω	$V_{IO} = 500\text{Vdc}, 40\sim 60\% \text{ R.H.}$
Floating capacitance	C_{IO}	-	0.6	1.0	pF	$V_{IO} = 0, f = 1\text{MHz}$
Cut-off frequency	f_c	-	80	-	kHz	$V_{CE} = 5\text{V}, I_C = 2\text{mA}$ $R_L = 100\Omega, -3\text{dB}$
Rise time	t_r	-	3	18	μs	$V_{CE} = 2\text{V}, I_C = 2\text{mA},$ $R_L = 100\Omega$
Fall time	t_f	-	4	18	μs	

* Typical values at $T_a = 25^\circ\text{C}$

8 PIN DIP PHOTOTRANSISTOR PHOTOCOUPLER

EL827 Series

Typical Performance Curves



8 PIN DIP PHOTOTRANSISTOR PHOTOCOUPLER

EL827 Series

Figure 7. Collector Dark Current vs Ambient Temperature

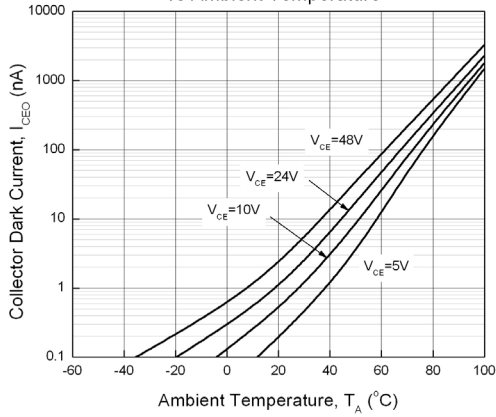


Figure 8. Switching Time vs Load Resistance

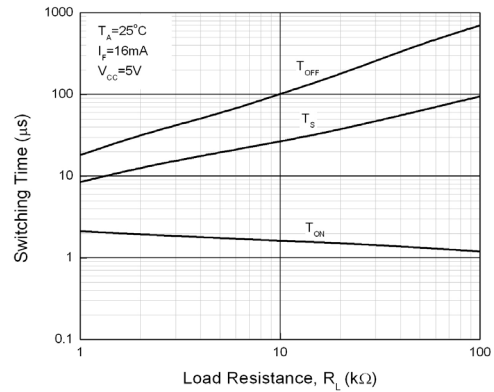


Figure 9. Collector-Emitter Saturation Voltage vs Ambient Temperature

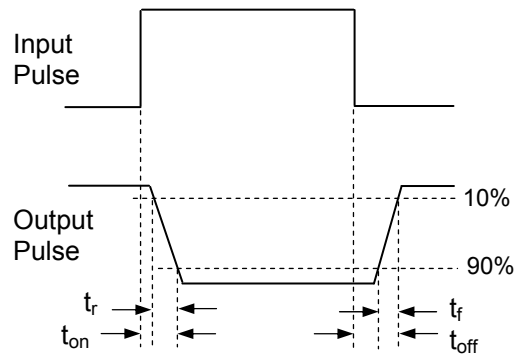
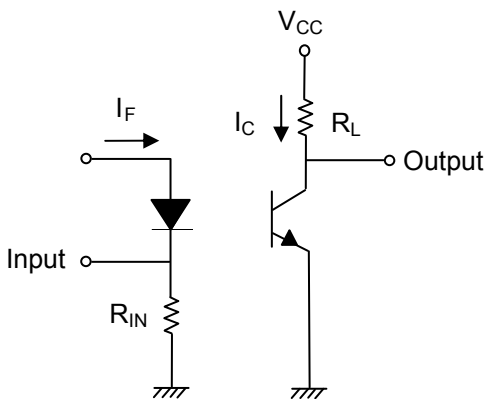
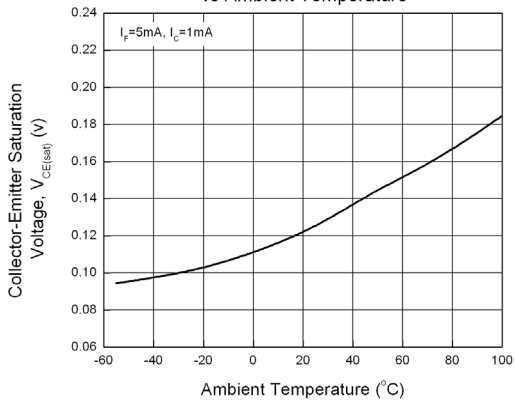


Figure 10. Switching Time Test Circuit & Waveforms



LIGHTING FOREVER

8 PIN DIP PHOTOTRANSISTOR PHOTOCOUPLER

EL827 Series

Order Information

Part Number

EL827X(Z)-V

Note

- X = Lead form option (S, S1, M or none)
- Z = Tape and reel option (TA, TB or none)
- V = VDE safety (optional)

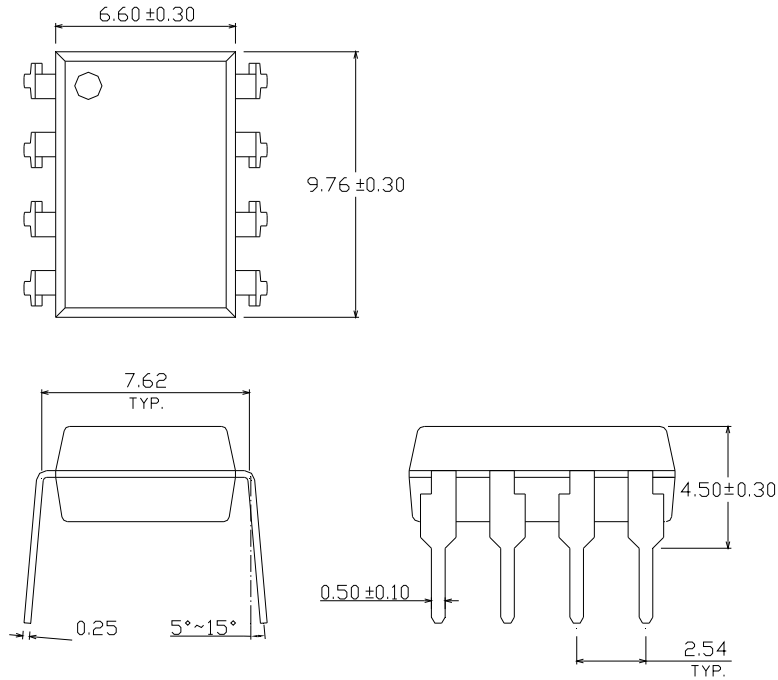
Option	Description	Packing quantity
None	Standard DIP-8	45 units per tube
M	Wide lead bend (0.4 inch spacing)	45 units per tube
S (TA)	Surface mount lead form + TA tape & reel option	1000 units per reel
S (TB)	Surface mount lead form + TB tape & reel option	1000 units per reel
S1 (TA)	Surface mount lead form (low profile) + TA tape & reel option	1000 units per reel
S1 (TB)	Surface mount lead form (low profile) + TB tape & reel option	1000 units per reel

8 PIN DIP PHOTOTRANSISTOR PHOTOCOUPLER

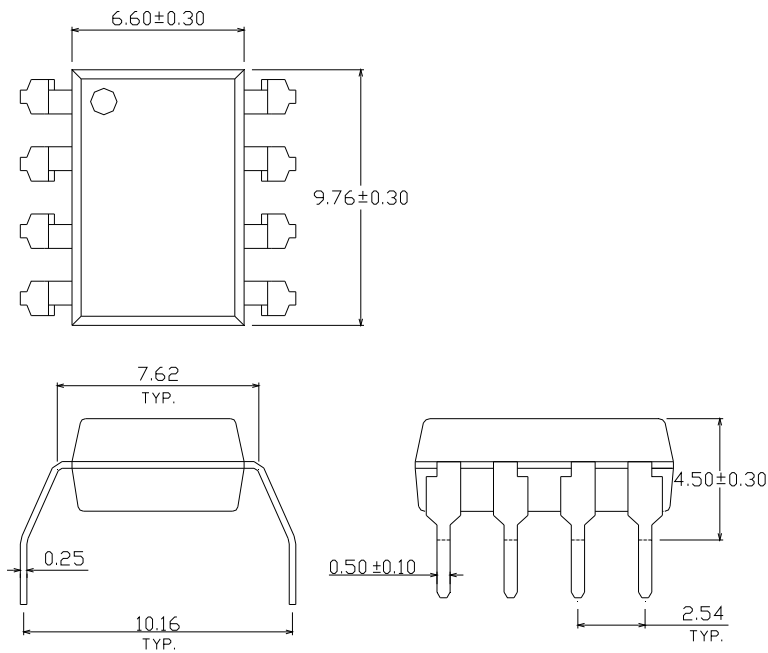
EL827 Series

Package Drawing (Dimensions in mm)

Standard DIP Type



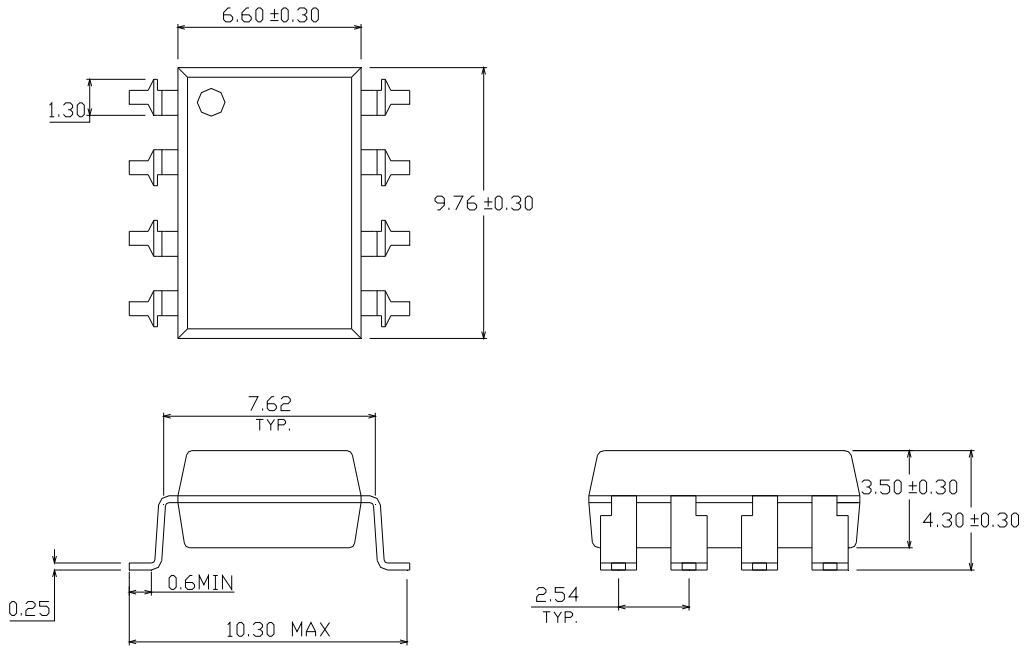
Option M Type



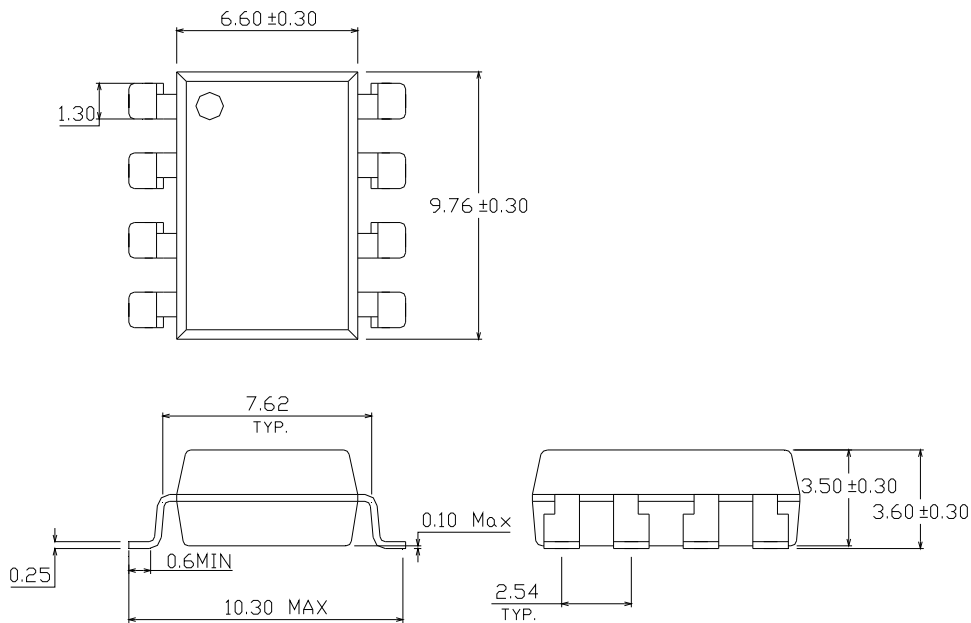
8 PIN DIP PHOTOTRANSISTOR PHOTOCOUPLER

EL827 Series

Option S Type



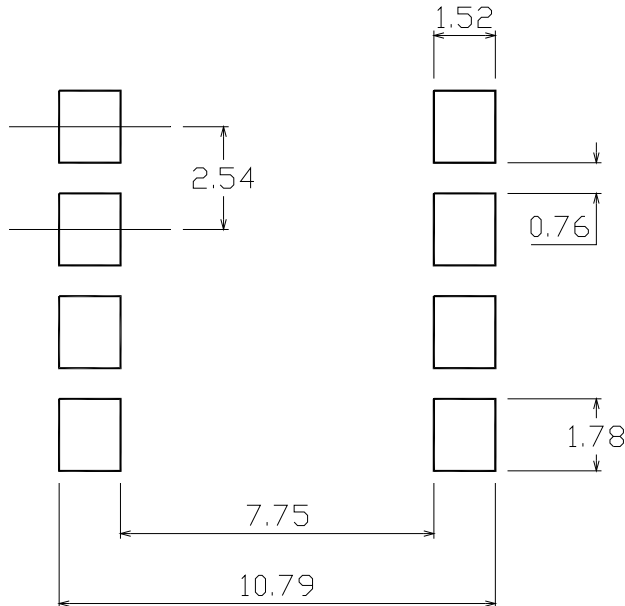
Option S1 Type



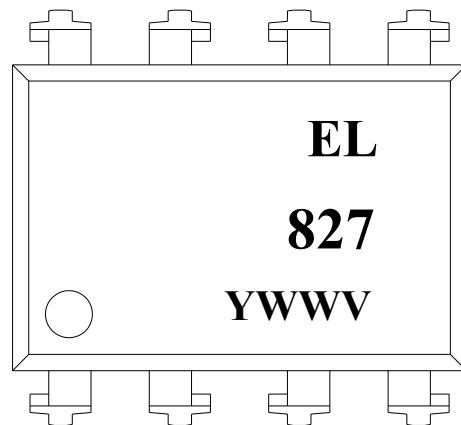
8 PIN DIP PHOTOTRANSISTOR PHOTOCOUPLER

EL827 Series

Recommended pad layout for surface mount leadform



Device Marking



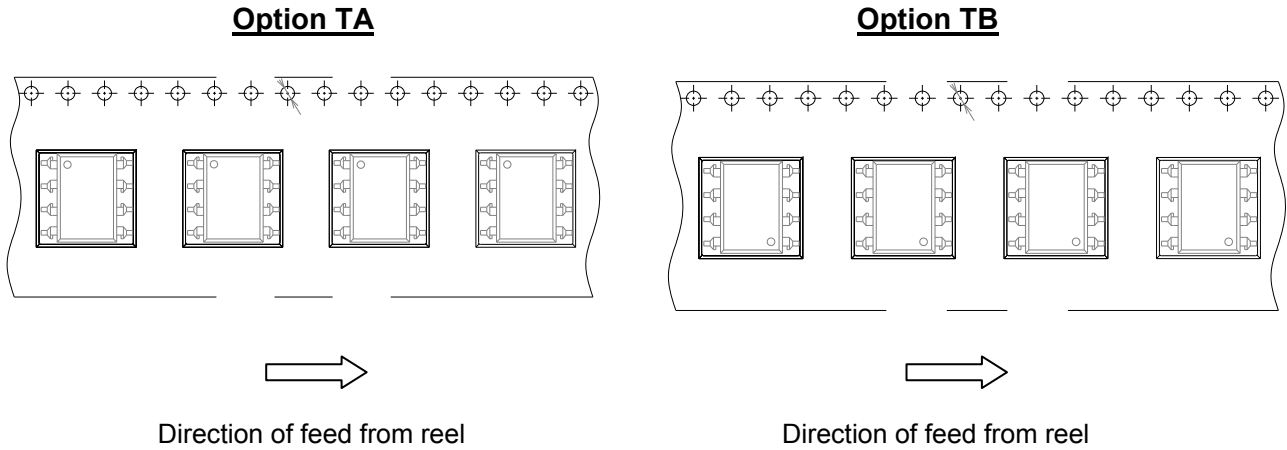
Notes

- EL827 denotes Device Number
- Y denotes 1 digit Year code
- WW denotes 2 digit Week code
- V denotes VDE (optional)

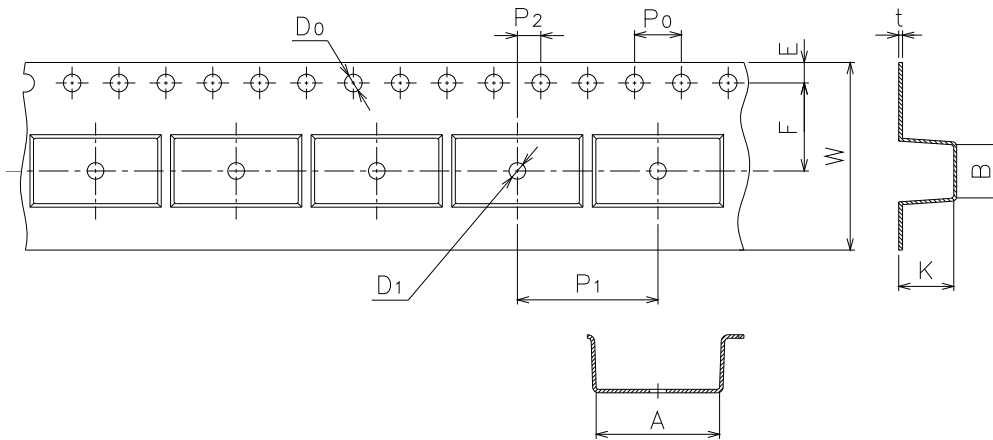
8 PIN DIP PHOTOTRANSISTOR PHOTOCOUPLER

EL827 Series

Tape & Reel Packing Specifications



Tape dimensions



Dimension No.	A	B	Do	D1	E	F
Dimension(mm)	10.4±0.1	10.0±0.1	1.5±0.1	1.5±0.1	1.75±0.1	7.5±0.1
Dimension No.	Po	P1	P2	t	W	K
Dimension(mm)	4.0±0.1	12.0±0.1	2.0±0.1	0.4±0.1	16.0+0.3/ -0.1	4.5±0.1

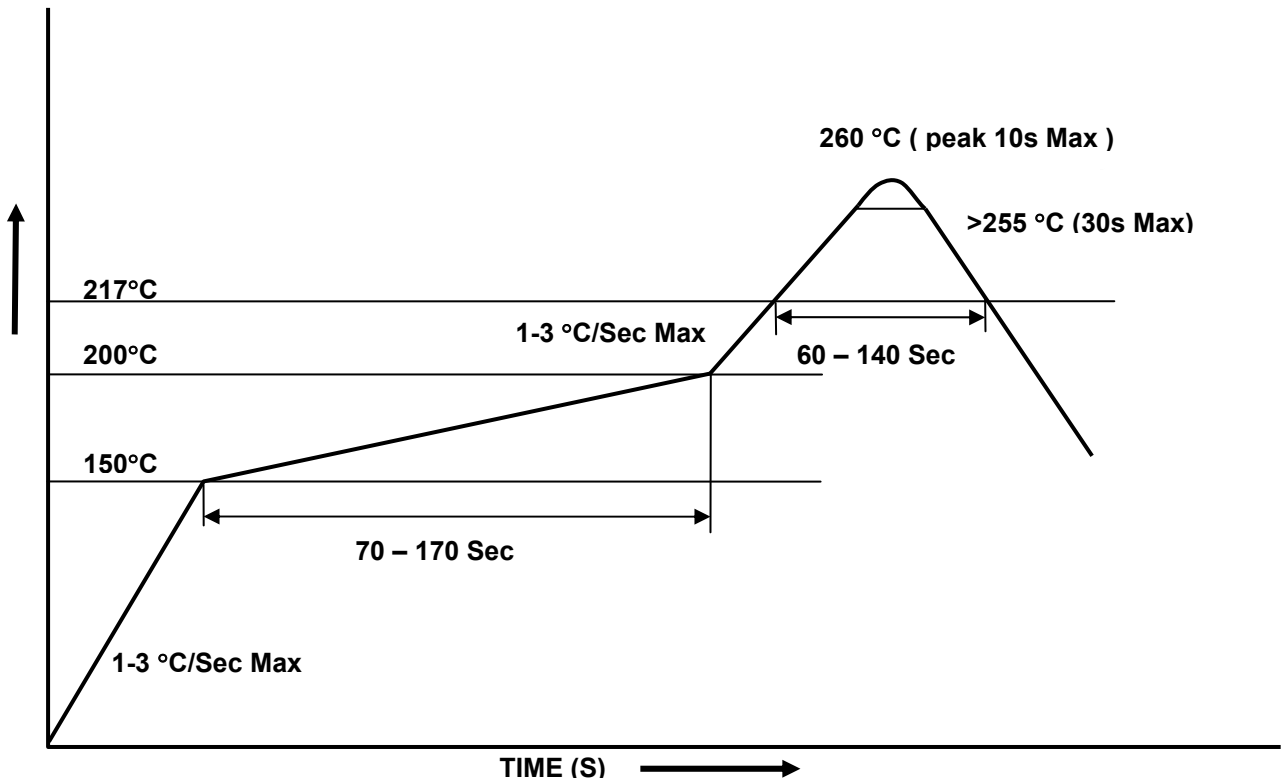


LIGHTING FOREVER

8 PIN DIP PHOTOTRANSISTOR PHOTOCOUPLER

EL827 Series

Solder Reflow Temperature Profile





LIGHTING FOREVER

8 PIN DIP PHOTOTRANSISTOR PHOTOCOUPLER

EL827 Series

DISCLAIMER

1. The specifications in this datasheet may be changed without notice. EVERLIGHT reserves the authority on material change for above specification.
2. When using this product, please observe the absolute maximum ratings and the instructions for use as outlined in this datasheet. EVERLIGHT assumes no responsibility for any damage resulting from use of the product which does not comply with the absolute maximum ratings and the instructions included in this datasheet.
3. These specification sheets include materials protected under copyright of EVERLIGHT. Reproduction in any form is prohibited without the specific consent of EVERLIGHT.