

# One-4-All™ International Transformers Printed Circuit Mount



International Standards at Lower Cost with Better Performance



Signal's 14A transformers are used in low power applications and provide the high isolation, creepage and clearance necessary to comply with international safety standards.

#### General Specifications

- Power - 2.5 VA to 56 VA
- Dielectric Strength - 4000 Vrms Hipot
- Dual Primaries - 115/230 V - 50/60 Hz
- Dual Secondaries - Series or parallel
- Insulation System - Class F, 155° C, UL 1446 (E66312)
- Flammability Rating - Bobbin and shroud material meet UL 94-V0

#### Agency Certifications

- UL recognized to UL 506 / UL 5085-2, File # E63829
- CSA certified to C22.2 No. 66.1, File # 221070
- VDE certified to VDE 0805 / EN 60950, File # 1446



Part Number	VA	Secondary RMS Rating	
	Size	Series	Parallel
14A-2.5R-10	2.5	10.0 VCT @ 0.25A	5.0V @ 0.50A
14A-5.0R-10	5.0	10.0 VCT @ 0.50A	5.0V @ 1.00A
14A-10R-10	10.0	10.0 VCT @ 1.00A	5.0V @ 2.00A
14A-2.5R-12	2.5	12.6 VCT @ 0.20A	6.3V @ 0.40A
14A-5.0R-12	5.0	12.6 VCT @ 0.40A	6.3V @ 0.80A
14A-10R-12	10.0	12.6VCT @ 0.80A	6.3V @ 1.60A
14A-2.5R-16	2.5	16.0 VCT @ 0.15A	8.0V @ 0.30A
14A-5.0R-16	5.0	16.0 VCT @ 0.31A	8.0V @ 0.62A
14A-10R-16	10.0	16.0 VCT @ 0.62A	8.0V @ 1.25A
14A-2.5R-20	2.5	20.0 VCT @ 0.12A	10V @ 0.24A
14A-5.0R-20	5.0	20.0 VCT @ 0.25A	10V @ 0.50A
14A-10R-20	10.0	20.0 VCT @ 0.50A	10V @ 1.00A
14A-2.5R-24	2.5	24.0 VCT @ 0.10A	12V @ 0.20A
14A-5.0R-24	5.0	24.0 VCT @ 0.21A	12V @ 0.42A
14A-10R-24	10.0	24.0 VCT @ 0.42A	12V @ 0.84A
14A-2.5R-28	2.5	28.0 VCT @ 0.09A	14V @ 0.18A
14A-5.0R-28	5.0	28.0 VCT @ 0.18A	14V @ 0.36A
14A-10R-28	10.0	28.0 VCT @ 0.36A	14V @ 0.72A
14A-2.5R-36	2.5	36.0 VCT @ 0.07A	18V @ 0.14A
14A-5.0R-36	5.0	36.0 VCT @ 0.14A	18V @ 0.28A
14A-10R-36	10.0	36.0 VCT @ 0.28A	18V @ 0.56A

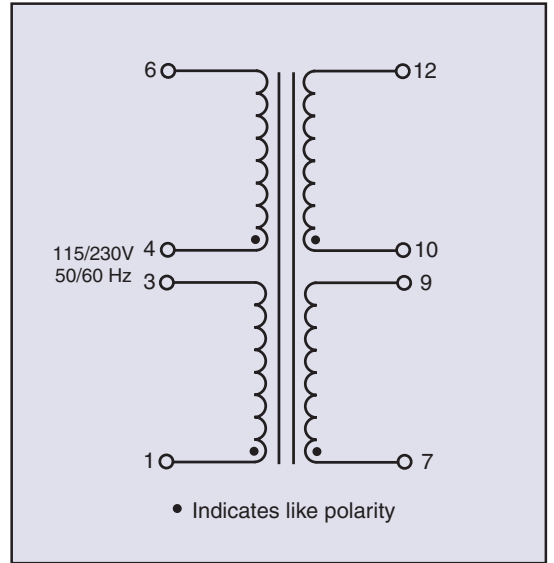
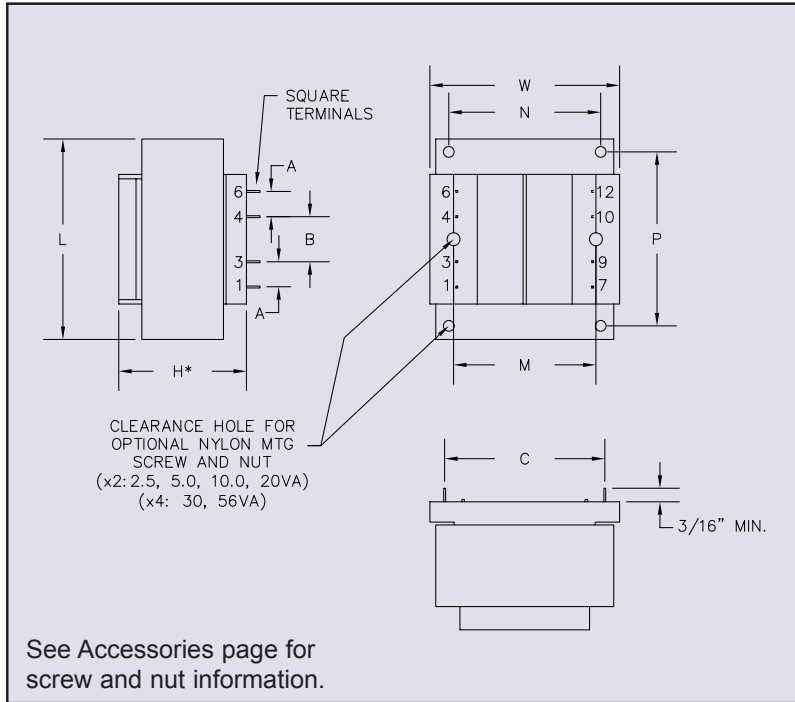
Part Number	VA	Secondary RMS Rating	
	Size	Series	Parallel
14A-20-10	20	10.0 VCT @ 2.0A	5.0V @ 4.0A
14A-30-10	30	10.0 VCT @ 3.0A	5.0V @ 6.0A
14A-56-10	56	10.0 VCT @ 5.6A	5.0V @ 11.2A
14A-20-12	20	12.6 VCT @ 1.6A	6.3V @ 3.2A
14A-30-12	30	12.6 VCT @ 2.4A	6.3V @ 4.8A
14A-56-12	56	12.6 VCT @ 4.4A	6.3V @ 8.8A
14A-20-16	20	16.0 VCT @ 1.25A	8.0V @ 2.5A
14A-30-16	30	16.0 VCT @ 1.9A	8.0V @ 3.8A
14A-56-16	56	16.0 VCT @ 3.5A	8.0V @ 7.0A
14A-20-20	20	20.0 VCT @ 1.0A	10V @ 2.0A
14A-30-20	30	20.0 VCT @ 1.5A	10V @ 3.0A
14A-56-20	56	20.0 VCT @ 2.8A	10V @ 5.6A
14A-20-24	20	24.0 VCT @ 0.83A	12V @ 1.66A
14A-30-24	30	24.0 VCT @ 1.25A	12V @ 2.50A
14A-56-24	56	24.0 VCT @ 2.33 A	12V @ 4.66A
14A-20-28	20	28.0 VCT @ 0.72A	14V @ 1.44A
14A-30-28	30	28.0 VCT @ 1.06A	14V @ 2.12A
14A-56-28	56	28.0 VCT @ 2.0A	14V @ 4.0A
14A-20-36	20	36.0 VCT @ 0.56A	18V @ 1.12A
14A-30-36	30	36.0 VCT @ 0.82A	18V @ 1.64A
14A-56-36	56	36.0 VCT @ 1.56A	18V @ 3.12A

Custom versions available upon request.

©2008 Signal Transformer — Specification subject to change without notice. 07.08

# One-4-All™ International Transformers Printed Circuit Mount

International Standards at Lower Cost with Better Performance



VA	Mechanical Dimensions						Sq. Pin Dimensions	Mounting Dimensions			Mounting Screw		Weight	
	L	W	H*	A	B	C		M	N	P	Size	Qty		
Size	Inches (mm)											Size	Qty	lbs (kg)
2.5	1.62 (41.3)	1.43 (36.5)	1.12 (28.6)	0.20 (5.08)	0.25 (6.35)	1.00 (25.4)	0.02 (0.635)	1.06 (26.9)	-	-	#4	2	0.25 (0.113)	
5	1.62 (41.3)	1.43 (36.5)	1.37 (34.9)	0.20 (5.08)	0.40 (10.16)	1.00 (25.4)	0.02 (0.635)	1.06 (26.9)	-	-	#4	2	0.37 (0.168)	
10	1.87 (47.6)	1.56 (39.7)	1.37 (34.9)	0.20 (5.08)	0.40 (10.16)	1.14 (29.0)	0.03 (0.965)	1.25 (31.7)	-	-	#4	2	0.53 (0.240)	
20	2.25 (57.2)	1.87 (47.6)	1.62 (41.3)	0.40 (10.2)	0.40 (10.2)	1.46 (37.1)	0.03 (0.97)	1.50 (38.1)	-	-	#4	2	0.90 (0.41)	
30	2.62 (66.7)	2.18 (55.5)	1.56 (39.7)	0.55 (13.9)	0.27 (7.0)	1.68 (42.7)	0.04 (1.14)	-	1.75 (44.4)	2.18 (55.5)	#6	4	1.15 (0.52)	
56	3.00 (76.2)	2.50 (63.5)	1.81 (46.0)	0.60 (15.2)	0.30 (7.6)	1.90 (48.3)	0.04 (1.14)	-	2.00 (50.8)	2.50 (6.35)	#6	4	1.70 (0.77)	

\*Note: Dimension H represents the total distance from the seating plane to the uppermost surface, stand offs and/or risers inclusive.

Custom versions available upon request.

©2008 Signal Transformer — Specification subject to change without notice. 07.08



500 Bayview Avenue, Inwood, NY 11096  
Toll Free 866-239-5777 • Tel 516-239-5777 • Fax 516-239-7208  
sales@signaltransformer.com • techhelp@signaltransformer.com