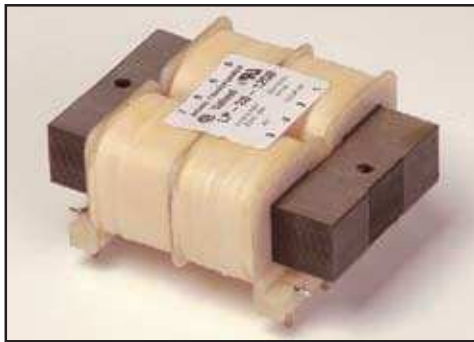


Flathead™ Low Profile Transformers Printed Circuit Mount

For Low Power and Critical Height Applications



Signal's LP transformers use hum-bucking (semi-toroidal) construction that minimizes radiated magnetic fields. These transformers are ideal for critical low-height PC board applications.

General Specifications

- Power - 2 VA to 48 VA
- Dielectric Strength - 1500 Vrms Hipot
- Primaries - Dual primaries, 115/230 V - 50/60Hz
- Secondaries - Series or parallel
- Height - 0.65" to 1.375" (16.5 mm to 34.9 mm)
- Insulation System - Class B, 130° C, UL 1446, E66312

Agency Certifications

- UL recognized to UL 506 / UL 5085-2, File # E63829
- CSA - NRTL/C22.2 #66.1, File # 221070



Part Number	VA	Secondary RMS Rating	
	Size	Series	Parallel
LP-10-250	2	10VCT @ 250mA	5V @ 500mA
LP-10-600	6	10VCT @ 600mA	5V @ 1.2A
LP-10-1200	12	10VCT @ 1200mA	5V @ 2.4A
LP-10-2400	24	10VCT @ 2.40A	5V @ 4.80A
LP-10-4800	48	10VCT @ 4.80A	5V @ 9.60A
LP-12-200	2	12.6VCT @ 200mA	6.3V @ 400mA
LP-12-450	6	12.6VCT @ 450mA	6.3V @ 900mA
LP-12-900	12	12.6VCT @ 900mA	6.3V @ 1.8A
LP-12-1900	24	12.6VCT @ 1.90A	6.3V @ 3.80A
LP-12-3800	48	12.6VCT @ 3.80A	6.3V @ 7.60A
LP-16-150	2	16VCT @ 150mA	8V @ 300mA
LP-16-350	6	16VCT @ 350mA	8V @ 700mA
LP-16-700	12	16VCT @ 700mA	8V @ 1.4A
LP-16-1500	24	16VCT @ 1.50A	8V @ 3.00A
LP-16-3000	48	16VCT @ 3.00A	8V @ 6.00A
LP-20-125	2	20VCT @ 125mA	10V @ 250mA
LP-20-300	6	20VCT @ 300mA	10V @ 600mA
LP-20-600	12	20VCT @ 600mA	10V @ 1.2A
LP-20-1200	24	20VCT @ 1.20A	10V @ 2.40A
LP-20-2400	48	20VCT @ 2.40A	10V @ 4.80A
LP-24-100	2	24VCT @ 100mA	12V @ 200mA
LP-24-250	6	24VCT @ 250mA	12V @ 500mA
LP-24-500	12	24VCT @ 500mA	12V @ 1.00A
LP-24-1000	24	24VCT @ 1.00A	12V @ 2.00A
LP-24-2000	48	24VCT @ 2.00A	12V @ 4.00A

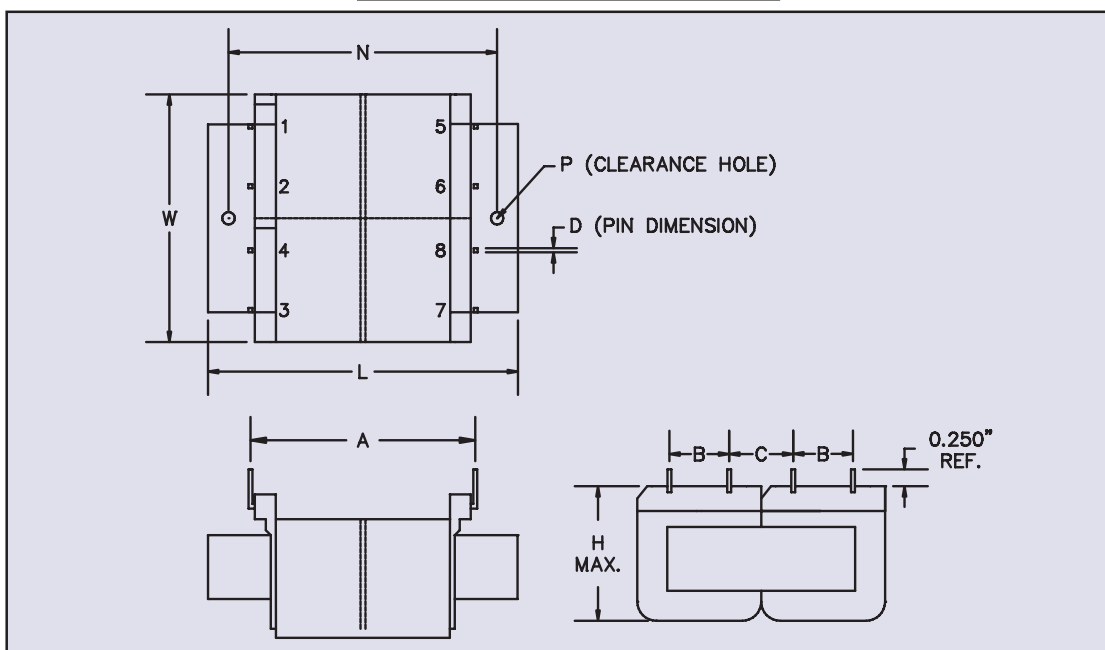
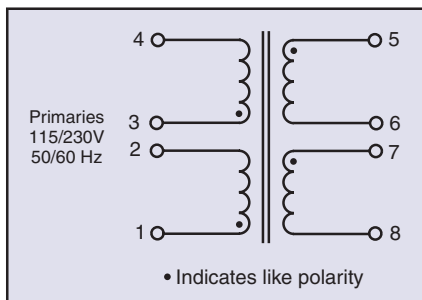
Part Number	VA	Secondary RMS Rating	
	Size	Series	Parallel
LP-30-85	2	30VCT @ 85mA	15V @ 170mA
LP-30-200	6	30VCT @ 200mA	15V @ 400mA
LP-30-400	12	30VCT @ 400mA	15V @ 800mA
LP-30-800	24	30VCT @ 800mA	15V @ 1.60A
LP-30-1600	48	30VCT @ 1.60A	15V @ 3.20A
LP-34-75	2	34VCT @ 75mA	17V @ 150mA
LP-34-170	6	34VCT @ 170mA	17V @ 340mA
LP-34-340	12	34VCT @ 340mA	17V @ 680mA
LP-34-700	24	34VCT @ 700mA	17V @ 1.40A
LP-34-1400	48	34VCT @ 1.40A	17V @ 2.80A
LP-40-60	2	40VCT @ 60mA	20V @ 120mA
LP-40-150	6	40VCT @ 150mA	20V @ 300mA
LP-40-300	12	40VCT @ 300mA	20V @ 600mA
LP-40-600	24	40VCT @ 600mA	20V @ 1.20A
LP-40-1200	48	40VCT @ 1.20A	20V @ 2.40A
LP-56-45	2	56VCT @ 45mA	28V @ 90mA
LP-56-100	6	56VCT @ 100mA	28V @ 200mA
LP-56-200	12	56VCT @ 200mA	28V @ 400mA
LP-56-425	24	56VCT @ 425mA	28V @ 850mA
LP-56-850	48	56VCT @ 850mA	28V @ 1.70A
LP-88-28	2	88VCT @ 28mA	44V @ 56mA
LP-88-65	6	88VCT @ 65mA	44V @ 130mA
LP-88-130	12	88VCT @ 130mA	44V @ 260mA
LP-120-20	2	120VCT @ 20mA	60V @ 40mA
LP-120-50	6	120VCT @ 50mA	60V @ 100mA
LP-120-100	12	120VCT @ 100mA	60V @ 200mA
LP-230-10	2	230VCT @ 10mA	115V @ 20mA
LP-230-25	6	230VCT @ 25mA	115V @ 50mA
LP-230-50	12	230VCT @ 50mA	115V @ 100mA

Custom versions available upon request.

©2008 Signal Transformer — Specification subject to change without notice. 07.08

Flathead™ Low Profile Transformers Printed Circuit Mount

For Low Power and Critical Height Applications



VA	Dimensions									Weight
	A	B	C	L	W	H	N	D	P	
Size	Inches (mm)									oz (kg)
2	1.60 (40.6)	0.37 (9.5)	0.37 (9.5)	1.87 (47.5)	1.56 (39.6)	0.65 (16.5)	-	.041 x .020 (1.04 x 0.51)	-	5 (0.14)
6	1.60 (40.6)	0.37 (9.5)	0.37 (9.5)	1.87 (47.5)	1.56 (39.6)	0.85 (21.6)	-	.041 x .020 (1.04 x 0.51)	-	7 (0.20)
12	2.00 (50.8)	0.50 (12.7)	0.50 (12.7)	2.50 (63.5)	2.00 (50.8)	1.06 (27.1)	-	.041 x .020 (1.04 x 0.51)	-	11 (0.31)
24	1.90 (48.3)	0.60 (15.2)	0.53 (13.5)	2.87 (72.9)	2.25 (57.2)	1.25 (31.8)	2.41 (61.2)	.041 SQ pin (1.04 SQ mm)	Clearance Hole for #4 Screw	15 (0.43)
48	2.18 (55.4)	0.60 (15.2)	0.66 (16.8)	3.12 (79.2)	2.50 (63.5)	1.37 (34.9)	2.62 (66.5)	.041 SQ pin (1.04 SQ mm)	Clearance Hole for #6 Screw	21 (0.60)

Custom versions available upon request.

©2008 Signal Transformer — Specification subject to change without notice. 07.08