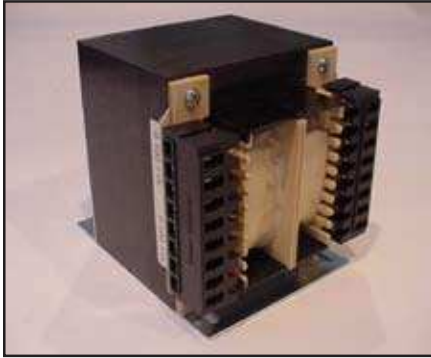


# More-4-Less™ International Transformers



## Greater Performance in Less Space



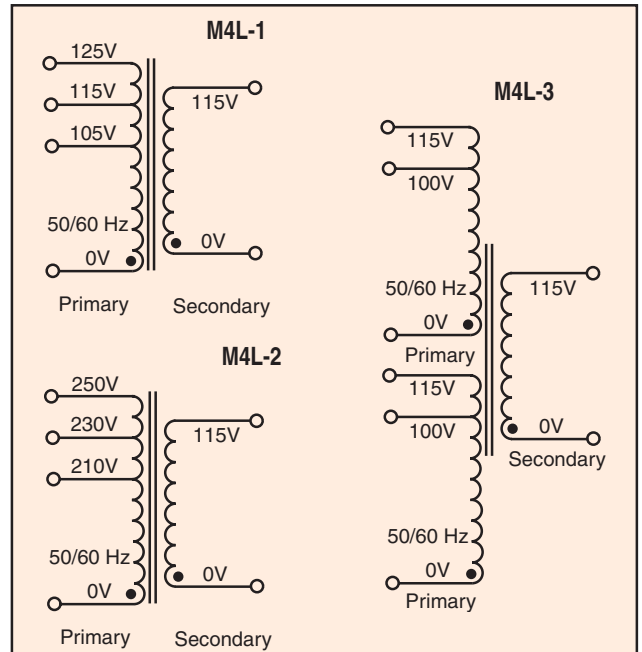
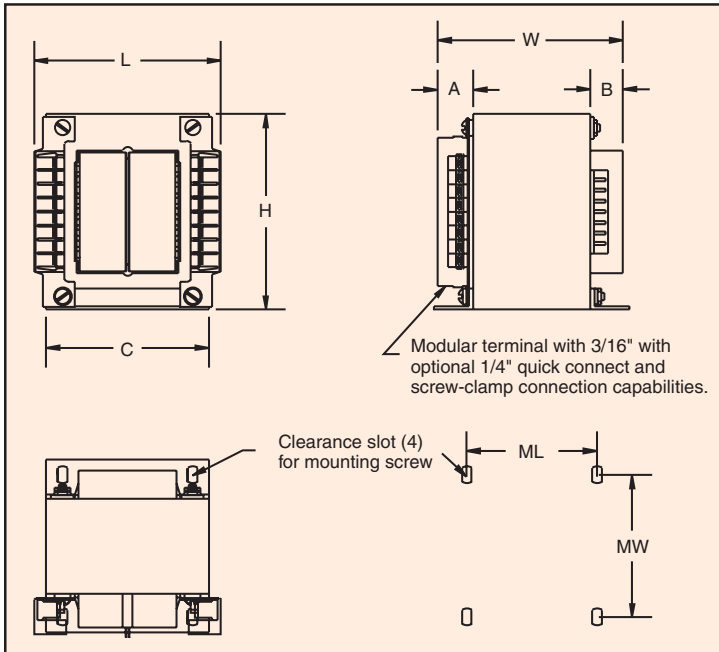
Designed to provide superior isolation, the M4L series of transformers provide more than 12mm creepage distance between the input and output windings. The materials utilized in M4L construction support high ambient temperature environments while minimizing energy losses.

### General Specifications

- Power - 300, 450, 600 and 1000VA ratings
- Dielectric Strength - 4.0Kv
- Available Input Voltage - 100V, 105V, 115V, 125V, 200V, 210V, 230V, 250V 50/60Hz
- Output voltage - 115V
- Touch-Safe terminals (IP20 type) offer a screw/binding clamp for hard wiring and a 3/16" & 1/4" Fast-On connection.
- Insulation System - UL Recognized Class F (155° C)
- Leakage Current - agency tested @ <30 micro Amps
- Flame Rating - UL 94-V0

### Agency Certifications

- UL Standards - UL 506 / UL 5085-2, UL 544, UL 60601-1
- UL Insulation Systems - 1446, Class F, E66312
- CSA Standards - 22.2 #66.1, File # 221070
- IEC / EN Standards - IEC / EN 60950, (VDE License 1447)
- CE Compliance - VDE Declaration of Conformity 73/23/EEC



Part Number			VA	Sec RMS	L	W	H	A	B	C	ML	MW	Mounting Screw	Weight
			Size	Rating	Inches (mm)									
M4L-1-3	M4L-2-3	M4L-3-3	300	115V @ 2.6A	4.20 (106.68)	4.08 (103.51)	3.75 (95.3)	1.33 (33.8)	0.62 (15.9)	3.12 (79.4)	2.50 (63.5)	3.12 (79.4)	#10	7.0 (3.18)
M4L-1-4	M4L-2-4	M4L-3-4	450	115V @ 3.9A	4.46 (113.28)	4.33 (110)	4.50 (114.3)	1.33 (33.8)	0.75 (19.1)	3.75 (95.3)	3.00 (76.2)	3.25 (82.6)	#10	11.0 (5)
M4L-1-6	M4L-2-6	M4L-3-6	600	115V @ 5.2A	4.46 (113.28)	5.08 (129.03)	4.50 (114.3)	1.33 (33.8)	0.75 (19.1)	3.75 (95.3)	3.00 (76.2)	4.06 (103.2)	#10	14.3 (6.49)
M4L-1-10	M4L-2-10	M4L-3-10	1000	115V @ 8.7A	4.89 (124.20)	5.70 (144.78)	5.25 (133.4)	1.33 (33.8)	0.87 (22.2)	4.37 (111.1)	3.50 (88.9)	4.68 (119.1)	1/4	22.0 (10.0)

Custom versions available upon request.

©2008 Signal Transformer — Specification subject to change without notice. 07.08