

Printed Circuit Mount Triple Output Transformers

For 5 VDC and ± 12 VDC or ± 15 VDC Regulated Power Supplies



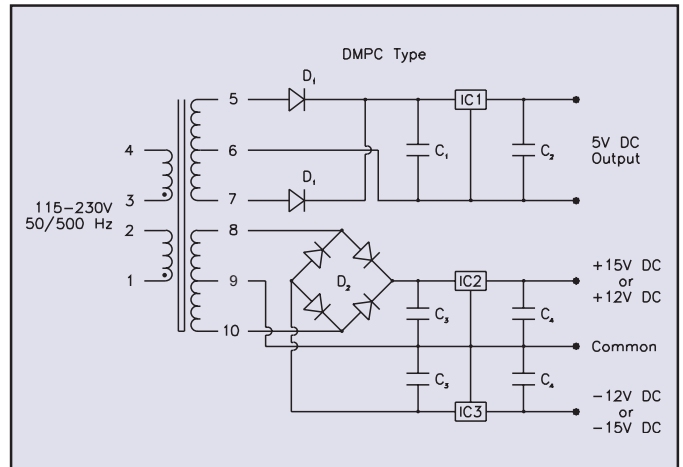
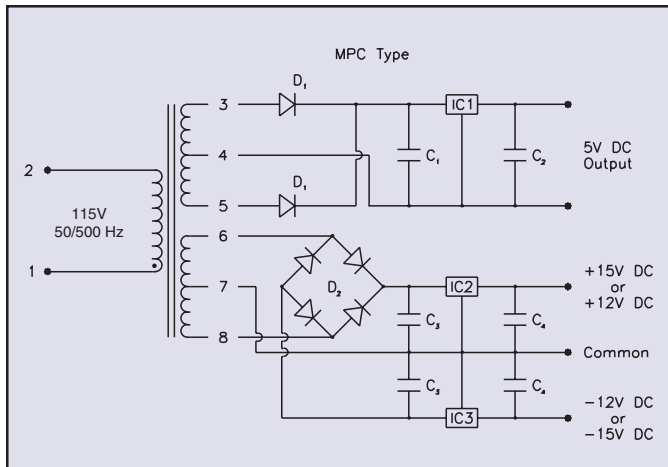
Signal's MPC and DMPC transformers have all of the performance features of our PC and DPC series.

General Specifications

- Power - 10 VA and 24 VA
- Dielectric Strength - 1500 Vrms Hipot
- Primaries - Single or dual primaries, 115 V or 115/230 V, 50-500 Hz
- Secondaries - Dual complementary outputs, 5 VDC with ± 12 VDC or 5 VDC with ± 15 VDC
- Insulation System - Class B, 130° C, UL 1446 E66312
- Mounting Brackets - Available for 10 & 24 VA sizes, part numbers 10-BR and 24-BR, respectively

Agency Certifications

- UL recognized to UL 506 / UL 5085-2, File # E63829
- CSA certified to C22.2 #66.1, File # 221070



Part Number		DC Output		Size	Suggested Components							
Primary 50/500 Hz		Regulator I	Regulator II		C ₁	C ₂	C ₃	C ₄	D ₁ (2)	D ₂ (4)	IC ₁ *	IC ₂ *
115V 8 Pin	115/230V 10 Pin											
MPC-X-12	DMPC-X-12	5 VDC 360mA	± 12 VDC 60mA	X	2100MFD 30V	2.7MFD 20V	250MFD 50V	10MFD 20V	1N4001	1N4002	LM341P-5.0	LM326N
MPC-X-15	DMPC-X-15	5 VDC 360mA	± 15 VDC 50mA	X	2100MFD 30V	2.7MFD 20V	250MFD 50V	10MFD 20V	1N4001	1N4002	LM341P-5.0	LM325N
MPC-Y-12	DMPC-Y-12	5 VDC 835mA	± 12 VDC 150mA	Y	4000MFD 20V	2.7MFD 20V	1000MFD 50V	2.7MFD 20V	1N4001	1N4002	LM340K-5.0	LM326N
MPC-Y-15	DMPC-Y-15	5 VDC 835mA	± 15 VDC 130mA	Y	4000MFD 20V	2.7MFD 20V	1000MFD 50V	2.7MFD 20V	1N4001	1N4002	LM340K-5.0	LM325N

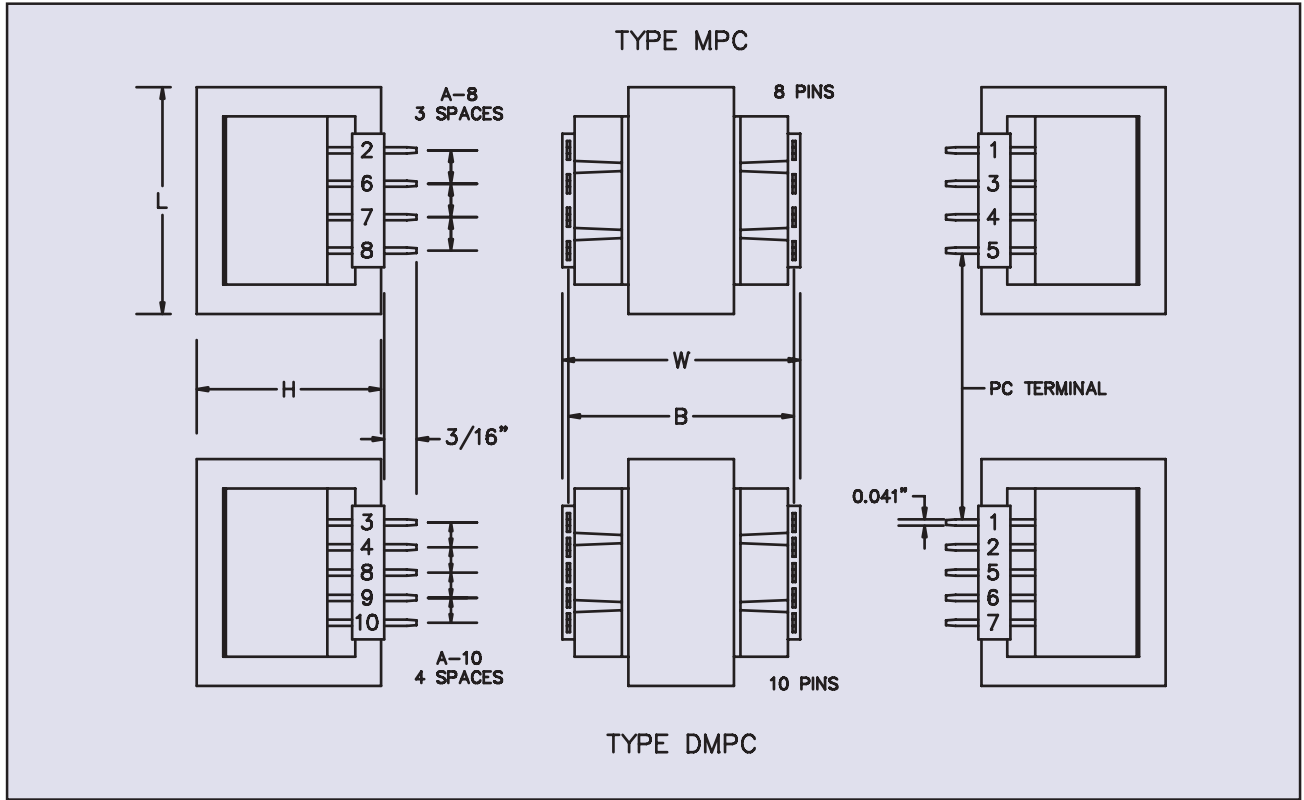
* National Semiconductor

Custom versions available upon request.

©2008 Signal Transformer — Specification subject to change without notice. 07.08

Printed Circuit Mount Triple Output Transformers

For 5 VDC and ± 12 VDC or ± 15 VDC Regulated Power Supplies



Size	L	W	H	A-8 8 Pin	A-10 10 Pin	B	Weight	Optional Bracket		
								Number	MW	MD
									Inches (mm)	
X	1.87 (47.6)	1.43 (36.5)	1.64 (41.7)	.25 (6.4)	.20 (5.1)	1.30 (33.0)	0.56 (0.25)	10-BR	1.64 (41.6)	1.12 (28.6)
Y	1.62 (41.3)	2.25 (57.2)	1.37 (34.9)	.25 (6.4)	.20 (5.1)	2.10 (53.3)	0.75 (0.34)	24-BR	1.37 (34.9)	2.00 (50.8)

* An optional slide on mounting bracket is available for sizes 10 & 24. These brackets do not consume any additional board space but add 1/32" to the transformer's height.

See Accessories page for mounting brackets.

Custom versions available upon request.

©2008 Signal Transformer — Specification subject to change without notice. 07.08