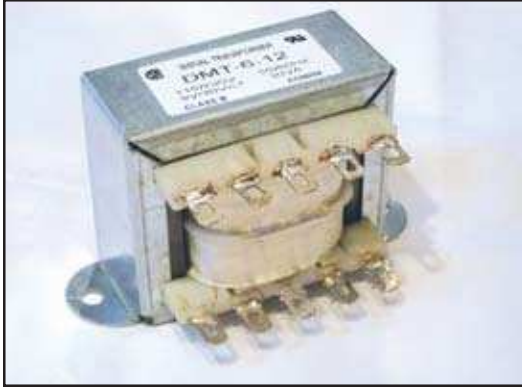


Two-4-One™ Triple Output Transformers Chassis Mount

For 5 VDC and ±12 VDC or ±15 VDC Regulated Power Supplies



Signal's MT and DMT transformers have all of the performance features of our 241 series.

General Specifications

- Power - 30 VA, 56 VA and 100 VA
- Dielectric Strength - 2500 Vrms Hipot
- Primaries - Single or dual primaries 115V or 115/230V nominal - 50/60 Hz
Input range 100 V to 130 V or 200V to 260 V - 50/60 Hz
- Secondaries - Dual complementary outputs (5 VDC with ±12 VDC or 5 VDC with ±15 VDC)
- Terminals - Solder lug / quick connect type terminals
- Insulation - Class B (130° C) UL E66312
- RoHS compliant

Agency Certifications

- UL 1446 E66312
- UL recognized to UL 506 / UL5085-2, File # E63829
- CSA certified to C22.2 #66.1, File # 221070



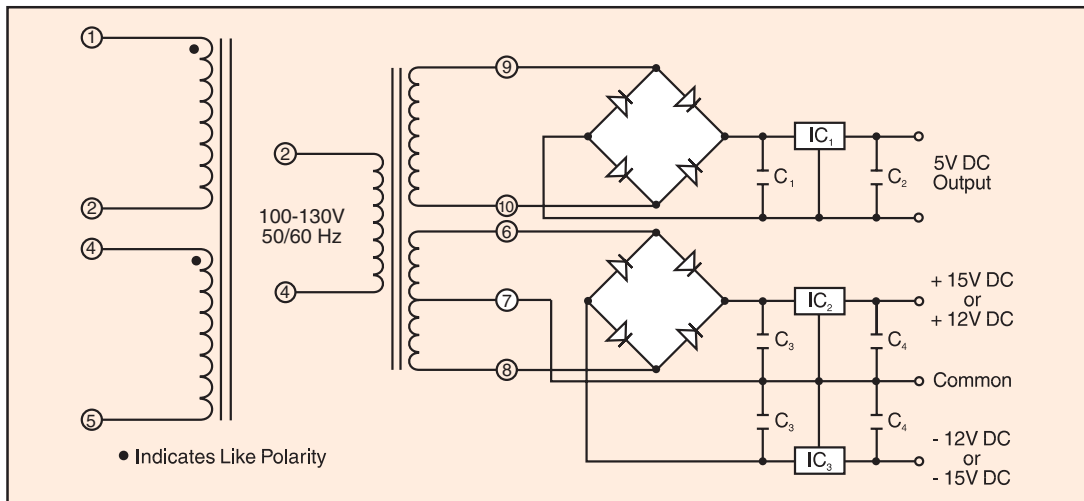
Part Number Primary 50/60 Hz		DC Output		Size	Suggested Components (C ₂ and C ₄ See Note 1)						
115V	115/230V	Regulator I	Regulator II		C ₁	C ₃	IC _{1,3}	IC _{2,3}	IC _{3,3}	D _{1,4}	D _{2,4}
MT-6-12	DMT-6-12	5V @ 1.75A	±12V @ 210mA	6	10 KMFD @ 20 VDC	1.5 KMFD @ 50 VDC	LM-323K-5	LM-340K-12	LM-320K-12	3N253	3N247
MT-6-15	DMT-6-15	5V @ 1.75A	±15V @ 175mA	6	10 KMFD @ 20 VDC	1.5 KMFD @ 50 VDC	LM-323K-5	LM-340K-15	LM-320K-15	3N253	3N247
MT-7-12	DMT-7-12	5V @ 2.8A	±12V @ 350mA	7	15 KMFD @ 20 VDC	2 KMFD @ 50 VDC	LM-323K-5	LM-340K-12	LM-320K-12	MDA-400	3N247
MT-7-15	DMT-7-15	5V @ 2.8A	±15V @ 280mA	7	15 KMFD @ 20 VDC	2 KMFD @ 50 VDC	LM-323K-5	LM-340K-15	LM-320K-15	MDA-400	3N247
MT-8-12	DMT-8-12	5V @ 4A	±12V @ 600mA	8	26 KMFD @ 20 VDC	3.1 KMFD @ 50 VDC	LM-338 ²	LM-340K-12	LM-320K-12	MDA-800	3N247
MT-8-15	DMT-8-15	5V @ 4A	±15V @ 500mA	8	26 KMFD @ 20 VDC	3.1 KMFD @ 50 VDC	LM-338 ²	LM-340K-15	LM-320K-15	MDA-800	3N247

Note 1: Output capacitors C₂ and C₄ are required to stabilize regulators. Values can be 1 MFD min. tantalum or 10 MFD min. electrolytic, 20V min.

Note 2: LM-338 is an adjustable regulator and Mfr's specifications (National Semiconductor) should be consulted for values of external components.

Note 3: All IC's are National Semiconductor types.

Note 4: All diodes are Motorola types.

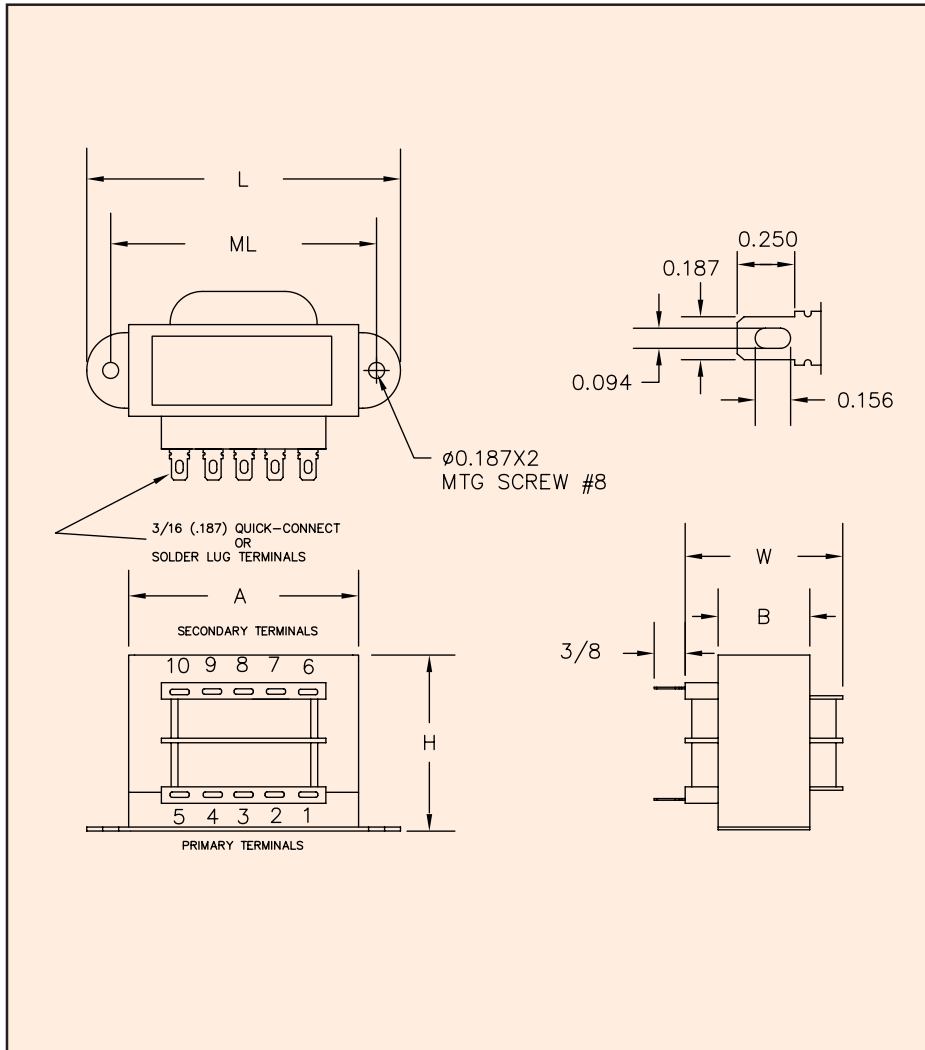


Custom versions available upon request.

©2008 Signal Transformer — Specification subject to change without notice. 07.08

Two-4-One™ Triple Output Transformers Chassis Mount

For 5 VDC and ±12 VDC or ±15 VDC Regulated Power Supplies



VA	Dimensions						Weight
	L	W	H	A	B	ML	
Size	Inches (mm)						lbs (kg)
6	3.25 (82.6)	1.74 (44.3)	1.96 (49.8)	2.35 (59.3)	1.14 (28.9)	2.81 (71.4)	1.1 (0.50)
7	3.68 (93.7)	1.94 (49.2)	2.28 (57.8)	2.70 (68.4)	1.14 (28.9)	3.12 (79.4)	1.7 (0.77)
8	4.03 (102.4)	2.30 (58.5)	2.67 (67.7)	3.08 (78.2)	1.43 (36.2)	3.6 (91.4)	2.75 (1.25)

Custom versions available upon request.

©2008 Signal Transformer — Specification subject to change without notice. 07.08