

# Super High Efficiency Transformers

High Reliability with Clean Efficient Power Transfer for Optimal Performance



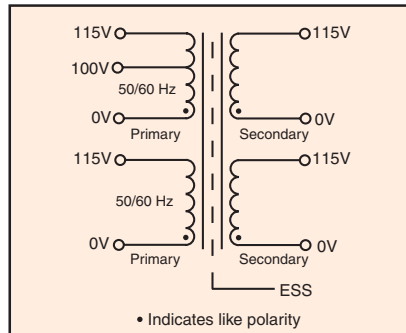
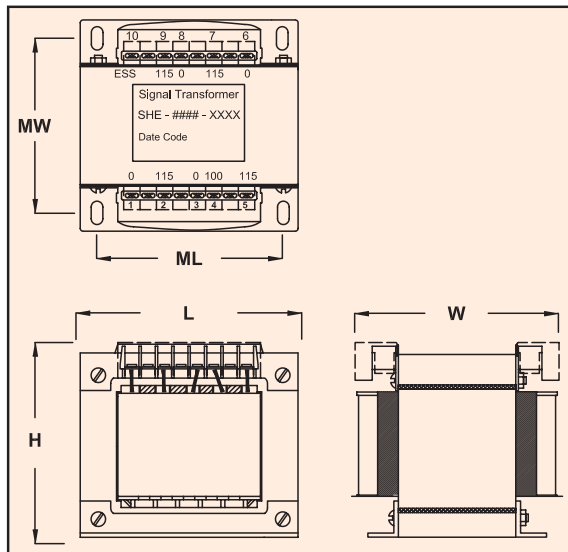
The **SHE** series of Super High Efficiency transformers are specifically designed to reduce power operational costs. By utilizing optimal quality core and conductor materials, SHE transformers achieve superior ratings which address the overall trend to go "green" with cleaner, more efficient use of power.

### General Specifications

- Power - 250 VA to 2500 VA
- Dielectric Strength - 4000 Vrms Hipot
- Input - Dual / tapped windings
  - Parallel connection 100 V, 115 V
  - Series connection 215 V, 230 V
- Output - Dual windings
  - Parallel connection 115 V
  - Series connection 230 V
- Regulation 2.5% maximum
- Efficiency 97.5% minimum
- Temperature rise 60° C maximum
- Electrostatic Shield - Solid copper full width foil
- Touch-Safe terminals (IP20 type) offer a screw/binding clamp for hard wiring and a 3/16" & 1/4" Fast-On connection.
- Leakage Current @ <50 micro Amps
- Insulation System - Class H, 180° C
- Clean power with distortion free output

### Agency Certifications

- UL 1446, File # E66312
- Compliant with the following domestic and international standards:
  - UL506 / UL5085
  - CSA C22.2, No. 66.2-06
  - VDE 0805 and VDE 0550
  - IEC / EN61558



Part Number	VA	Secondary RMS Rating	
		Series	Parallel
SHE-250	250	230V @ 1.1A	115V @ 2.2A
SHE-500	500	230V @ 2.2A	115V @ 4.4A
SHE-750	750	230V @ 3.3A	115V @ 6.6A
SHE-1000	1000	230V @ 4.3A	115V @ 8.7A
SHE-1500	1500	230V @ 6.5A	115V @ 13.0A
SHE-2000	2000	230V @ 8.7A	115V @ 17.4
SHE-2500	2500	230V @ 10.9A	115V @ 21.8A

Part Number	VA	Mechanical Dimensions					Weight
		L	W	H	ML	MW	
Size		Inches (mm)					lbs (kg)
SHE-250	250	5.40 (137.2)	4.00 (101.6)	4.75 (120.7)	4.50 (114.3)	2.88 (73.2)	11.75 (5.33)
SHE-500	500	5.40 (137.2)	5.00 (127.0)	4.75 (120.7)	4.50 (114.3)	3.88 (98.6)	17.56 (7.97)
SHE-750	750	5.40 (137.2)	6.00 (152.4)	4.75 (120.7)	4.50 (114.3)	4.88 (124.0)	22.62 (10.26)
SHE-1000	1000	7.70 (195.6)	5.50 (139.7)	6.63 (168.4)	5.75 (146.1)	4.38 (111.3)	34.80 (15.79)
SHE-1500	1500	7.70 (195.6)	6.00 (152.4)	6.63 (168.4)	5.75 (146.1)	4.75 (120.7)	41.50 (18.82)
SHE-2000	2000	7.70 (195.6)	6.50 (165.1)	6.63 (168.4)	5.75 (146.1)	5.25 (133.4)	48.02 (21.78)
SHE-2500	2500	7.70 (195.6)	7.00 (177.8)	6.63 (168.4)	5.75 (146.1)	5.75 (146.1)	56.54 (25.65)

Custom versions available upon request.

©2008 Signal Transformer — Specification subject to change without notice. 07.08