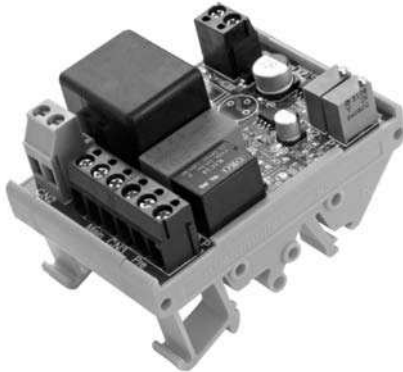


Low Voltage Disconnect Module LVD Series



www.powersolve.co.uk



- Up to 30 A Maximum Current
- Deep Discharge Pre-Warning Alarm
- DIN Rail Mounting
- Automatic Reset
- 12, 24 & 48 VDC

Specification

Input

Operating Voltage Range • -25% to +30% output voltage Range

Output

LVD Relay Contacts • 1 pole changeover (See Table for current rating)

LVD Alarm Set Range • -35% to +10% output voltage (user adjustable)

Pre-Warning Disconnect • -35% to +10% output voltage (user adjustable)

General

Alarm Relay Contacts • 1 pole changeover, 1.0 A 24 VDC

Screw Terminal Sizes • Input - suitable for 1.0 mm² cable
LVD - suitable for 2.5 mm² cable
Alarms - suitable for 1.0 mm² cable

Mounting • DIN Rail

Environmental

Operating Temperature • 0 °C to +50 °C (+40 °C max ambient plus +10 °C rise inside enclosure)

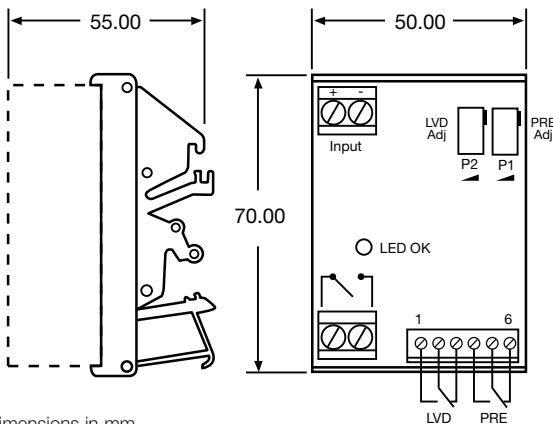
Operating Humidity • 90% non-condensing

Storage Temperature • -40 °C to +85 °C

Models & Ratings

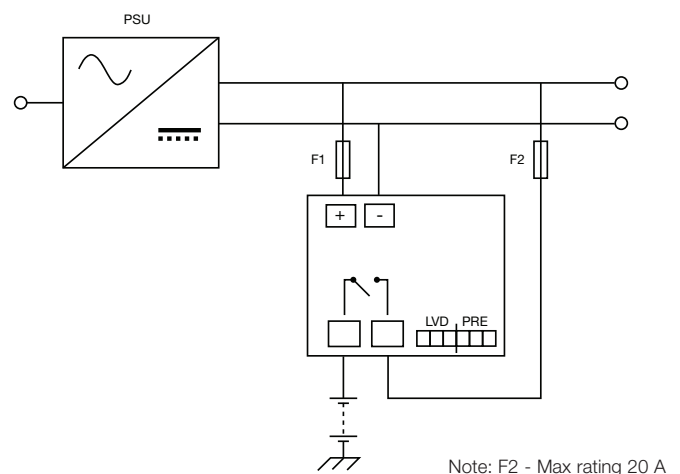
Output Voltage	Output Current	Model Number
12 V	30 A	LVD12
24 V	20 A	LVD24
48 V	10 A	LVD48

Mechanical Details



- Notes:
1. All dimensions in mm.
 2. Weight 0.11 Kg.
 3. Alarm contacts shown in de-energised state.

Schematic



Powersolve Electronics Ltd. 8A, Arnhem Road, Newbury, RG14 5RU. England
Tel:01635 521858 Fax: 01635 523771 Email: sales@powersolve.co.uk