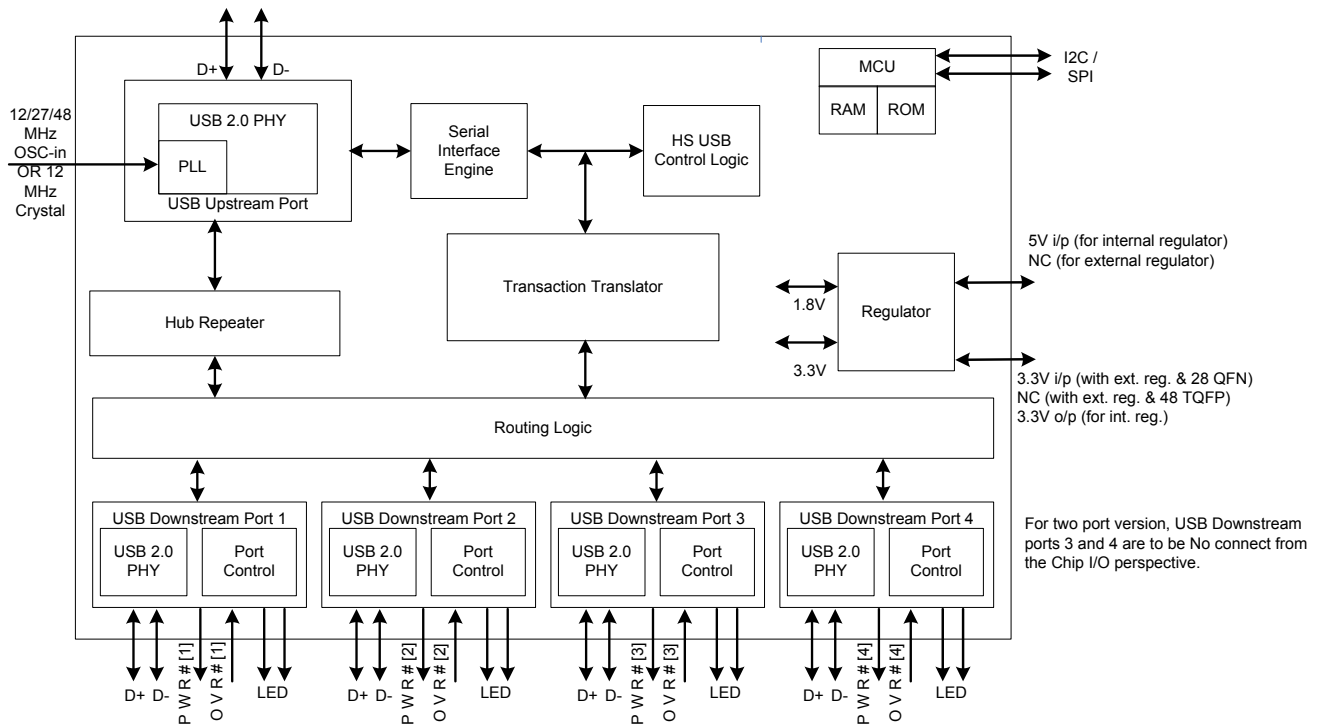


HX2VL™ Very Low Power USB 2.0 Hub Controller

Features

- High performance, low-power USB 2.0 Hub, optimized for low cost designs with minimum Bill-of-material
- USB 2.0 hub controller
 - Compliant with USB 2.0 specification
 - Up to four downstream ports support
 - Downstream ports are backward compatible with FS, LS
 - Single transaction translator (TT) for low cost
- Very low power consumption
 - Supports bus-powered and self-powered modes
 - Auto switching between bus-powered and self-powered
 - Single MCU with 2K ROM and 64 byte RAM
 - Lowest power consumption
- Highly integrated solution for reduced BOM cost
 - Internal regulator – single power supply 5 V required
 - Provision of connecting 3.3 V with external regulator
 - Integrated upstream pull-up resistor
 - Integrated pull-down resistors for all downstream ports
 - Integrated upstream/downstream termination resistors
- Integrated port status indicator control
- 12 MHz +/- 500 ppm external crystal with drive level 600 μW (integrated PLL) clock input with optional 27/48 MHz oscillator clock input
- Internal power failure detection for ESD recovery
- Downstream port management
 - Support individual and ganged mode power management
 - Overcurrent detection
 - Two port status indicators per downstream port
 - Slew rate control for EMI management
- Maximum configurability
 - VID and PID are configurable through external EEPROM
 - Number of ports, removable/non-removable ports are configurable through EEPROM and I/O pin configuration
 - I/O pins can configure gang/individual mode power switching, reference clock source and polarity of power switch enable pin
 - Configuration options also available through mask ROM
- Available in space saving 48-pin (7 × 7 mm) TQFP and 28-pin (5 × 5 mm) QFN packages
- Supports 0 °C to 70 °C temperature range

Block Diagram – CY7C6563X



Contents

| | | | |
|---|-----------|--|-----------|
| Introduction | 3 | Pin Configuration Options | 15 |
| HX2VL Architecture | 3 | Power ON Reset | 15 |
| USB Serial Interface Engine | 3 | Gang/Individual Power Switching Mode | 15 |
| HS USB Control Logic | 3 | Power Switch Enable Pin Polarity | 15 |
| Hub Repeater | 3 | Port Number Configuration | 15 |
| MCU | 3 | Non Removable Ports Configuration | 15 |
| Transaction Translator | 3 | Reference Clock Configuration | 15 |
| Port Control | 3 | Absolute Maximum Ratings | 16 |
| Applications | 3 | Operating Conditions | 16 |
| Functional Overview | 4 | Electrical Characteristics | 17 |
| System Initialization | 4 | DC Electrical Characteristics | 17 |
| Enumeration | 4 | AC Electrical Characteristics | 18 |
| Upstream Port | 4 | Thermal Resistance | 18 |
| Downstream Ports | 4 | Ordering Information | 19 |
| Power Switching | 4 | Ordering Code Definitions | 19 |
| Overcurrent Detection | 4 | Package Diagrams | 20 |
| Port Indicators | 4 | Acronyms | 22 |
| Power Regulator | 5 | Document Conventions | 22 |
| External Regulation Scheme | 5 | Units of Measure | 22 |
| Internal Regulation Scheme | 5 | Document History Page | 23 |
| Pin Configurations | 6 | Sales, Solutions, and Legal Information | 25 |
| Pin Definitions | 10 | Worldwide Sales and Design Support | 25 |
| Pin Definitions | 12 | Products | 25 |
| EEPROM Configuration Options | 14 | PSoC Solutions | 25 |

Introduction

HX2VL™ is Cypress's next generation family of high performance, very low power USB 2.0 hub controllers. HX2VL has integrated upstream and downstream transceivers; a USB Serial Interface Engine (SIE); USB Hub Control and Repeater logic; and Transaction Translator (TT) logic. Cypress has also integrated external components such as voltage regulator and pull-up/pull-down resistors, reducing the overall bill of materials required to implement a USB hub system.

The CY7C6563X is a part of the HX2VL portfolio. This device option is for ultra low power but high performance applications that require up to four downstream ports. All downstream ports share a single transaction translator. The CY7C6563X is available in 48-pin TQFP and 28-pin QFN package options.

All device options are supported by Cypress's world class reference design kits, which include board schematics, bill of materials, Gerber files, Orcad files, and thorough design documentation.

HX2VL Architecture

The [Block Diagram – CY7C6563X on page 1](#) shows the HX2VL single TT hub architecture.

USB Serial Interface Engine

The Serial Interface Engine (SIE) allows HX2VL to communicate with the USB host. The SIE handles the following USB activities independently of the Hub Control Block.

- Bit stuffing and unstuffing
- Checksum generation and checking
- TOKEN type identification
- Address checking

HS USB Control Logic

'Hub Control' block co-ordinates enumeration, suspend and resume. It generates status and control signals for host access to the hub. It also includes the frame timer that synchronizes the hub to the host. It has status/control registers which function as the interface to the firmware in the MCU.

Hub Repeater

The Hub Repeater manages the connectivity between upstream and downstream facing ports that are operating at the same speed. It supports full and high speed connectivity. According to the USB 2.0 specification, the HUB Repeater provides the following functions:

- Sets up and tears down connectivity on packet boundaries
- Ensures orderly entry into and out of 'Suspend' state, including proper handling of remote wakeups.

MCU

HX2VL has MCU with 2K ROM and 64 byte RAM. The MCU operates with a 12 MHz clock to decode USB commands from host and respond to the host. It can also handle GPIO settings to provide higher flexibility to the customers and control the read interface to the EEPROM which has extended configuration options. The MCU is programmable while manufacturing in the factory as per customer needs.

Transaction Translator

The Transaction Translator translates data from one speed to another. A TT takes high speed split transactions and translates them to full or low speed transactions when the hub is operating at high speed (the upstream port is connected to a high speed host controller) and has full or low speed devices attached. The operating speed of a device attached on a downstream port determines whether the routing logic connects a port to the TT or to hub repeater. When the upstream host and downstream device are functioning at different speeds, the data is routed through the TT. In all other cases, the data is routed through the repeater. For example, If a full or low speed device is connected to the high speed host upstream through the hub, then the data transfer route includes TT. If a high speed device is connected to the high speed host upstream through the hub, the transfer route includes the repeater. When the hub is connected to a full speed host controller upstream, then high speed peripheral does not operate at its full capability. These devices only work at full speed. Full and low speed devices connected to this hub operate at their normal speed.

Port Control

The downstream 'Port Control' block handles the connect/disconnect and over current detection as well as the power enable and LED control. It also generates the control signals for the downstream transceivers.

Applications

Typical applications for the HX2VL device family are:

- Docking stations
- Standalone hubs
- Monitor hubs
- Multi-function printers
- Digital televisions
- Advanced port replicators
- Keyboard hubs
- Gaming consoles

Functional Overview

The Cypress CY7C6563X USB 2.0 Hubs are low power hub solutions for USB which provide maximum transfer efficiency. The CY7C6563X USB 2.0 Hubs integrate 1.5 kohm upstream pull-up resistors for full speed operation and all downstream 15 kohm pull-down resistors and series termination resistors on all upstream and downstream D+ and D- pins. This results in optimization of system costs by providing built-in support for the USB 2.0 specification.

System Initialization

On power up, CY7C6563X has an option to enumerate from the default settings in the mask ROM or from reading an external EEPROM for configuration information. At the most basic level, this EEPROM has the Vendor ID (VID) and the Product ID (PID), for the customer's application. For more specialized applications, other configuration options can be specified. See [EEPROM Configuration Options on page 14](#) for more details. CY7C6563X verifies the checksum before loading the EEPROM contents as the descriptors.

Enumeration

CY7C6563X enables the pull-up resistor on D+ to indicate its presence to the upstream hub, after which a USB Bus Reset is expected. After a USB Bus Reset, CY7C6563X is in an unaddressed, unconfigured state (configuration value set to '0'). During the enumeration process, the host sets the hub's address and configuration. After the hub is configured, the full hub functionality is available.

Upstream Port

The upstream port includes the transmitter and the receiver state machine. The transmitter and receiver operate in high speed and full speed depending on the current hub configuration. The transmitter state machine monitors the upstream facing port while the Hub Repeater has connectivity in the upstream direction. This machine prevents babble and disconnect events on the downstream facing ports of this hub from propagating and causing the hub to be disabled or disconnected by the hub to which it is attached.

Downstream Ports

The CY7C6563X supports a maximum of four downstream ports, each of which may be marked as usable or removable in the EEPROM configuration, see [EEPROM Configuration Options on page 14](#). Additionally it can also be configured by pin strapping, see [Pin Configuration Options on page 15](#).

Downstream D+ and D- pull-down resistors are incorporated in CY7C6563X for each port. Before the hubs are configured, the ports are driven SE0 (Single Ended Zero, where both D+ and D- are driven low) and are set to the unpowered state. When the hub is configured, the ports are not driven and the host may power the ports by sending a SetPortPower command for each port. After a port is powered, any connect or disconnect event is detected by the hub. Any change in the port state is reported by the hubs back to the host through the Status Change Endpoint (endpoint 1). On receipt of SetPortReset request for a port with a device connected, the hub does as follows:

- Performs a USB Reset on the corresponding port

- Puts the port in an enabled state
- Enables babble detection after the port is enabled.

Babble consists of a non idle condition on the port after EOF2. If babble is detected on an enabled port, that port is disabled. A ClearPortEnable request from the host also disables the specified port.

Downstream ports can be individually suspended by the host with the SetPortSuspend request. If the hub is not suspended, a remote wakeup event on that port is reflected to the host through a port change indication in the Hub Status Change Endpoint. If the hub is suspended, a remote wakeup event on this port is forwarded to the host. The host may resume the port by sending a ClearPortSuspend command.

Power Switching

The CY7C6563X includes interface signals for external port power switches. Both ganged and individual (per-port) configurations are supported by pin strapping, see [Pin Configuration Options on page 15](#).

After enumerating, the host may power each port by sending a SetPortPower request for that port. Power switching and overcurrent detection are managed using respective control signals (PWR#[n] and OVR#[n]) which are connected to an external power switch device. Both High/Low enabled power switches are supported and the polarity is configured through GPIO setting, see [Pin Configuration Options on page 15](#).

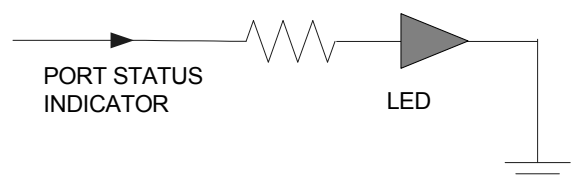
Overcurrent Detection

The OVR#[n] pins of the CY7C6563X series are connected to the respective external power switch's port overcurrent indication (output) signals. After detecting an overcurrent condition, hub reports overcurrent condition to the host and disables the PWR#[n] output to the external power device. OVR#[n] has a setup time of 20 ns. It takes 3 to 4 ms from overcurrent detection to de-assertion of PWR#[n]

Port Indicators

The USB 2.0 port indicators are also supported directly by CY7C6563X. According to the specification, each downstream port of the hub optionally supports a status indicator. The presence of indicators for downstream facing ports is specified by bit 7 of the wHub Characteristics field of the hub class descriptor. The default CY7C6563X descriptor specifies that the port indicators are supported. The CY7C6563X port indicators has two modes of operation: automatic and manual.

On power up the CY7C6563X defaults to automatic mode, where the color of the Port Indicator (green, amber, off) indicates the functional status of the CY7C6563X port. The LEDs are turned off when the device is suspended.



Note Pin-strapping GREEN#[1] and GREEN#[2] enables proprietary function that may affect the normal functionality of HX2VL. Configuring Port #1 and #2 as non-removable by pin-strapping should be avoided.

Power Regulator

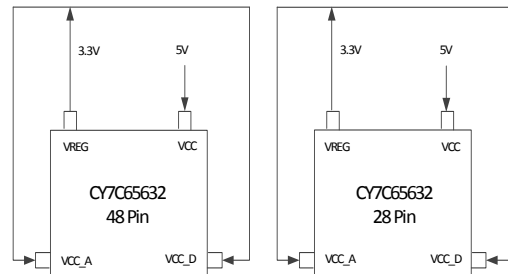
CY7C6563X requires 3.3 V source power for normal operation of internal core logic and USB physical layer (PHY). The integrated low-drop power regulator converts 5 V power input from USB cable (Vbus) to 3.3 V source power. The 3.3 V power output is guaranteed by an internal voltage reference circuit when the input voltage is within the 4.75 V to 5.25 V range. The regulator’s maximum current loading is 150 mA, which provides tolerance margin over CY7C6563X’s normal power consumption of below 100 mA. The on chip regulator has a quiescent current of 28 μ A.

External Regulation Scheme

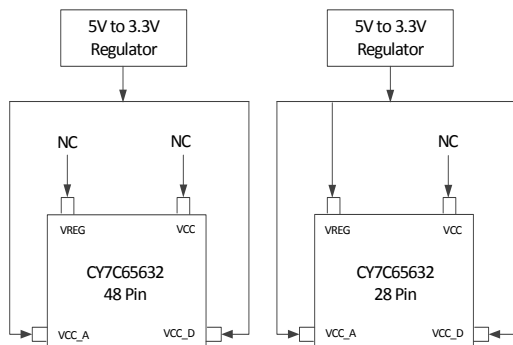
CY7C6563X supports both external regulation and internal regulation schemes. When an external regulation is chosen, then for the 48 Pin package, VCC and VREG are to be left open with no connection. The external regulator output 3.3 V has to be connected to VCC_A and VCC_D pins. This connection has to be done externally, on board. For the 28-pin package, the 3.3 V output from the external regulator has to be connected to VREG, VCC_A and VCC_D. The VCC pin has to be left open with no connection. From the external input 3.3 V, 1.8 V is internally generated for the chip’s internal usage.

Internal Regulation Scheme

When the built-in internal regulator is chosen, then the VCC pin has to be connected to a 5 V, in both 48-pin and 28-pin packages. Internally, the built-in regulator generates a 3.3 V and 1.8 V for the chip’s internal usage. Also a 3.3 V output is available at VREG pin, that has to be connected externally to VCC_A and VCC_D.



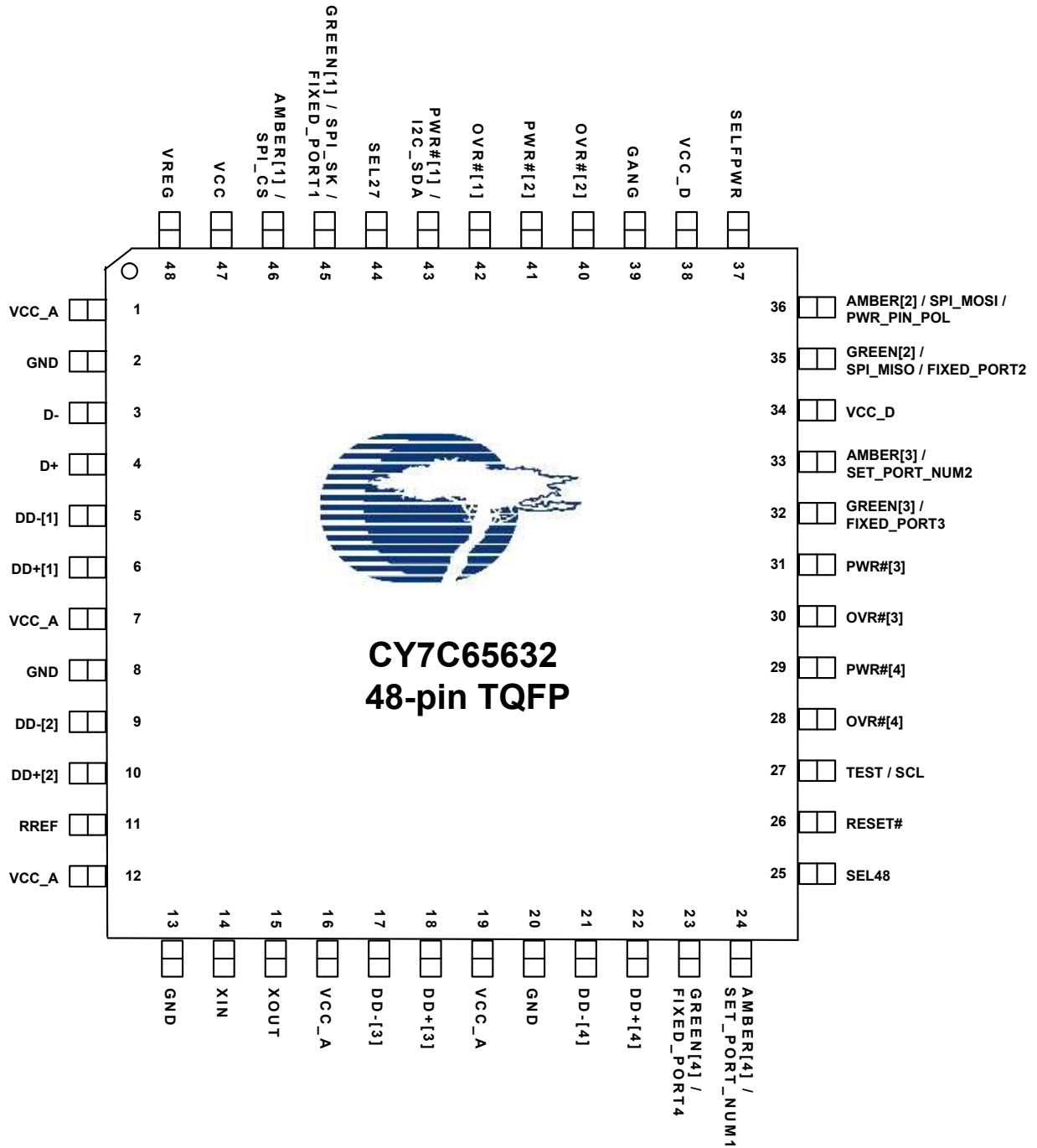
Internal Regulation Scheme



External Regulation Scheme

Pin Configurations

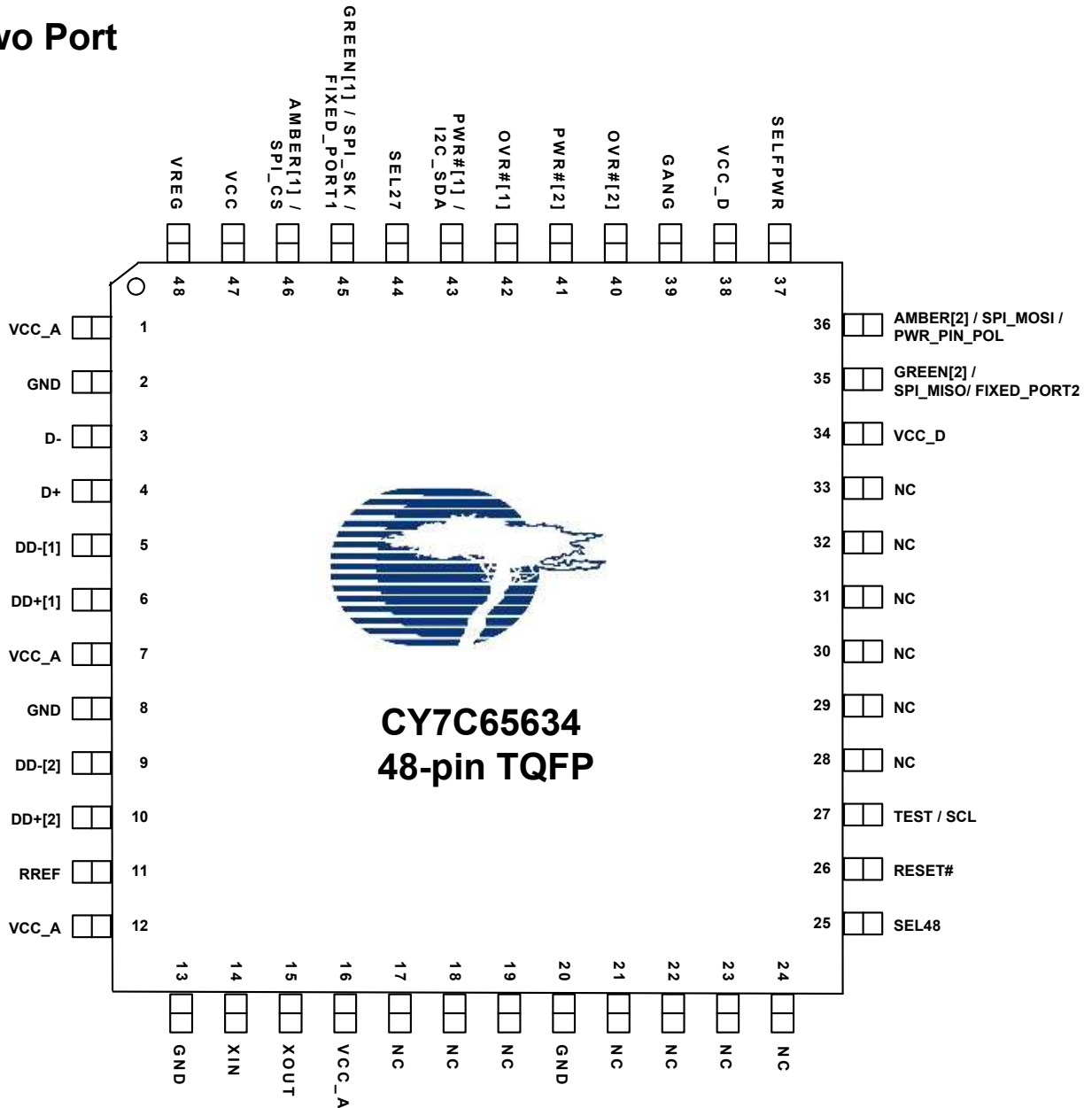
Figure 1. 48-pin TQFP (7 × 7 × 1.4 mm) pinout



Pin Configurations (continued)

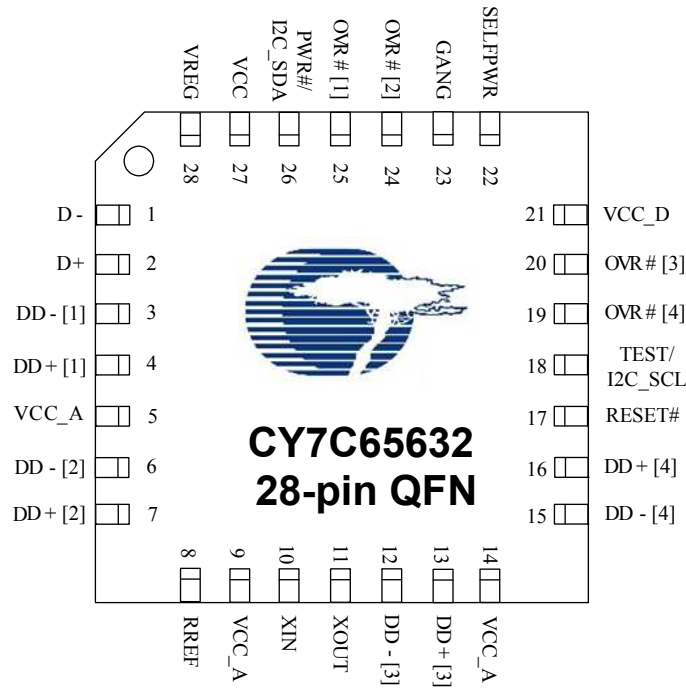
Figure 2. 48-pin TQFP (7 × 7 × 1.4 mm) pinout

Two Port



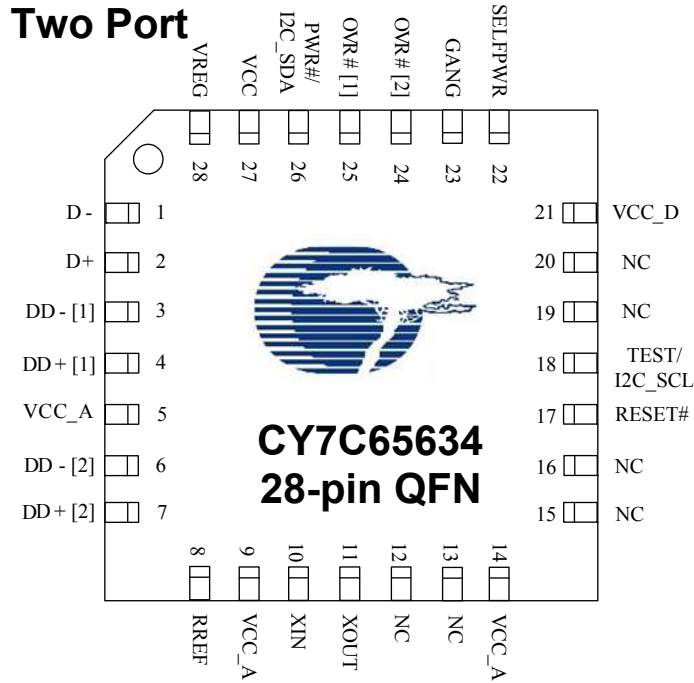
Pin Configurations *(continued)*

Figure 3. 28-pin QFN (5 × 5 × 0.8 mm) pinout



Pin Configurations *(continued)*

Figure 4. 28-pin QFN (5 × 5 × 0.8 mm) pinout



Pin Definitions

48-pin TQFP Package

| Name | Pin No. | Type ^[1] | Description |
|--------------------------|---------|--|---|
| Power and Clock | | | |
| VCC_A | 1 | P | V_{CC_A} . 3.3 V analog power to the chip. |
| VCC_A | 7 | P | V_{CC_A} . 3.3 V analog power to the chip. |
| VCC_A | 12 | P | V_{CC_A} . 3.3 V analog power to the chip. |
| VCC_A | 16 | P | V_{CC_A} . 3.3 V analog power to the chip. |
| VCC_A | 19 | P | V_{CC_A} . 3.3 V analog power to the chip. NC in CY7C65634. |
| VCC_D | 34 | P | V_{CC_D} . 3.3 V digital power to the chip. |
| VCC_D | 38 | P | V_{CC_D} . 3.3 V digital power to the chip. |
| VCC | 47 | P | V_{CC} . 5 V input to the internal regulator; NC if using external regulator |
| VREG | 48 | P | V_{REG} . 5–3.3 V regulator o/p during internal regulation; NC if using external regulator. |
| GND | 2 | P | GND . Connect to Ground with as short a path as possible. |
| GND | 8 | P | GND . Connect to Ground with as short a path as possible. |
| GND | 13 | P | GND . Connect to Ground with as short a path as possible. |
| GND | 20 | P | GND . Connect to Ground with as short a path as possible. |
| XIN | 14 | I | 12 MHz crystal clock input, or 12/27/48 MHz clock input. |
| XOUT | 15 | O | 12 MHz Crystal OUT |
| SEL48/SEL27 | 25 / 44 | I | Clock source selection inputs. 00: Reserved 01: 48 MHz OSC-in 10: 27 MHz OSC-in 11: 12 MHz Crystal or OSC-in |
| RESET# | 26 | I | Active LOW Reset. External reset input, default pull high 10 kΩ; When RESET = low, whole chip is reset to the initial state. |
| SELPWR | 37 | I | Self Power. Input for selecting self/bus power. 0 is bus powered, 1 is self powered. |
| GANG | 39 | I/O | GANG. Default is input mode after power-on-reset. <u>Gang Mode:</u> Input:1 -> Output is 0 for Normal Operation and 1 for Suspend <u>Individual Mode:</u> Input:0 -> Output is 1 for Normal Operation and 0 for Suspend Refer to Gang/Individual Power Switching Modes in Pin Configuration Options Section for details |
| RREF | 11 | I/O | 649 ohm resistor must be connected between RREF and Ground. |
| System Interface | | | |
| Test I2C_SCL | 27 | I(R _{DN}) I/O(R _{DN}) | Test: 0: Normal Operation & 1: Chip will be put in test mode. I2C_SCL: Can be used as I2C clock pin to access I2C EEPROM. |
| Upstream Port | | | |
| D– | 3 | I/O/Z | Upstream D– Signal. |
| D+ | 4 | I/O/Z | Upstream D+ Signal. |
| Downstream Port 1 | | | |
| DD–[1] | 5 | I/O/Z | Downstream D– Signal. Downstream D– signal of port 1. |
| DD+[1] | 6 | I/O/Z | Downstream D+ Signal. Downstream D+ signal of port 1. |
| AMBER[1] SPI_CS | 46 | O(R _{DN}) O(R _{DN}) | LED. Driver output for Amber LED. Port Indicator Support. Default is Active LOW. SPI_CS. Can be used as chip select to access external SPI EEPROM. |

Note

- Pin Types: I = Input, O = Output, P = Power/Ground, Z = High Impedance, R_{DN} = Pad internal Pull Down Resistor, R_{UP} = Pad internal Pull Up Resistor.

Pin Definitions *(continued)*

48-pin TQFP Package

| Name | Pin No. | Type ^[1] | Description |
|-------------------------------------|---------|---|---|
| GREEN[1] SPI_SK FIXED_PORT1 | 45 | O(R _{DN}) O(R _{DN}) I(R _{DN}) | LED. Driver output for Green LED. Port Indicator Support. Default is Active LOW. SPI_SK. Can be used as SPI Clock to access external SPI EEPROM. FIXED_PORT1. At POR used to set Port1 as non removable port. Refer pin configuration Section. |
| OVR#[1] | 42 | I(R _{UP}) | Active LOW Overcurrent Condition Detection Input. Overcurrent condition detection input for Port 1. |
| PWR#[1] I2C_SDA | 43 | O/Z I/O | Power Switch Driver Output. Default is Active LOW. I2C_SDA. Can be used as I2C Data pin, connected with I2C EEPROM. |
| Downstream Port 2 | | | |
| DD-[2] | 9 | I/O/Z | Downstream D- Signal. Downstream D- signal of port 2. |
| DD+[2] | 10 | I/O/Z | Downstream D+ Signal. Downstream D+ signal of port 2. |
| AMBER[2] SPI_MOSI PWR_PIN_POL | 36 | O(R _{DN}) O(R _{DN}) I(R _{DN}) | LED. Driver output for Amber LED. Port Indicator Support. Default is Active LOW. SPI_MOSI. Can be used as Data Out to access external SPI EEPROM. PWR_PIN_POL. Used for power switch enable pin polarity setting. Refer Configuration Section. |
| GREEN[2] SPI_MISO FIXED_PORT2 | 35 | O(R _{DN}) I(R _{DN}) I(R _{DN}) | LED. Driver output for Green LED. Port Indicator Support. Default is Active LOW. SPI_MISO. Can be used as Data In to access external SPI EEPROM. FIXED_PORT2. At POR used to set Port2 as non removable port. Refer Configuration Section. |
| OVR#[2] | 40 | I(R _{UP}) | Active LOW Overcurrent Condition Detection Input. Overcurrent condition detection input for Port 2. |
| PWR#[2] | 41 | O/Z | Power Switch Driver Output. Default is Active LOW. |
| Downstream Port 3 | | | |
| DD-[3] | 17 | I/O/Z | Downstream D- Signal. NC in CY7C65634. |
| DD+[3] | 18 | I/O/Z | Downstream D+ Signal. NC in CY7C65634. |
| AMBER[3] SET_PORT_NUM2 | 33 | O(R _{DN}) I(R _{DN}) | LED. Driver output for Amber LED. Port Indicator Support. Default is Active LOW. SET_PORT_NUM2. Used to set port numbering along with SET_PORT_NUM1. Refer pin configuration section. NC in CY7C65634. |
| GREEN[3] FIXED_PORT3 | 32 | O(R _{DN}) I(R _{DN}) | LED. Driver output for Green LED. Port Indicator Support. Default is Active LOW. FIXED_PORT3. At POR used to set Port3 as non removable port. Refer pin configuration section. NC in CY7C65634. |
| OVR#[3] | 30 | I(R _{UP}) | Active LOW Overcurrent Condition Detection Input. Overcurrent condition detection input for Port 3. NC in CY7C65634. |
| PWR#[3] | 31 | O/Z | Power Switch Driver Output. Default is Active LOW. NC in CY7C65634. |
| Downstream Port 4 | | | |
| DD-[4] | 21 | I/O/Z | Downstream D- Signal. NC in CY7C65634. |
| DD+[4] | 22 | I/O/Z | Downstream D+ Signal. NC in CY7C65634. |
| AMBER[4] SET_PORT_NUM1 | 24 | O(R _{DN}) I(R _{DN}) | LED. Driver output for Amber LED. Port Indicator Support. Default is Active LOW. SET_PORT_NUM1. Used to set port numbering along with SET_PORT_NUM2. Refer configuration Section. NC in CY7C65634. |
| GREEN[4] FIXED_PORT4 | 23 | O(R _{DN}) I(R _{DN}) | LED. Driver output for Green LED. Port Indicator Support. Default is Active LOW. FIXED_PORT4. At POR used to set Port4 as non removable port. Refer configuration Section. NC in CY7C65634. |

Pin Definitions *(continued)*

48-pin TQFP Package

| Name | Pin No. | Type ^[1] | Description |
|---------|---------|---------------------|--|
| OVR#[4] | 28 | I(R _{UP}) | Active LOW Overcurrent Condition Detection Input. Overcurrent condition detection input for Port 4. NC in CY7C65634. |
| PWR#[4] | 29 | O/Z | Power Switch Driver Output. Default is Active LOW. NC in CY7C65634. |

Pin Definitions

28-pin QFN Package

| Name | Pin No. | Type ^[2] | Description |
|--------------------------------|---------|--|---|
| Power and Clock | | | |
| VCC_A | 5 | P | V_{CC_A}. 3.3 V analog power to the chip. |
| VCC_A | 9 | P | V_{CC_A}. 3.3 V analog power to the chip. |
| VCC_A | 14 | P | V_{CC_A}. 3.3 V analog power to the chip. |
| VCC_D | 21 | P | V_{CC_D}. 3.3 V digital power to the chip. |
| VCC | 27 | P | V_{CC}. 5 V input to the internal regulator; NC if using external regulator |
| VREG | 28 | P | V_{CC}. 5–3.3 V regulator o/p during internal regulation; 3.3 V I/P if using external regulator. |
| XIN | 10 | I | 12 MHz crystal clock input, or 12 MHz clock input |
| XOUT | 11 | O | 12 MHz Crystal OUT |
| RESET# | 17 | I | Active LOW Reset. External reset input, default pull high 10 kΩ; When RESET = low, whole chip is reset to the initial state |
| SELPWR | 22 | I | Self Power. Input for selecting self/bus power. 0 is bus powered, 1 is self powered. |
| GANG | 23 | I/O | GANG. Default is input mode after power-on-reset. Gang Mode: Input:1 -> Output is 0 for Normal Operation and 1 for Suspend Individual Mode: Input:0 -> Output is 1 for Normal Operation and 0 for Suspend Refer to Gang/Individual Power Switching Modes in Pin Configuration Options Section for details |
| RREF | 8 | I/O | 649 ohm resistor must be connected between RREF and Ground |
| System Interface | | | |
| Test I2C_SCL | 18 | I(R _{DN}) I/O(R _{DN}) | Test: 0: Normal Operation & 1: Chip will be put in test mode I2C_SCL: I2C Clock pin. |
| PWR# ^[3] I2C_SDA | 26 | I/O | Power Switch Driver Output. Default is Active LOW. I2C_SDA: I2C Data pin. |
| Upstream Port | | | |
| D- | 1 | I/O/Z | Upstream D- Signal. |
| D+ | 2 | I/O/Z | Upstream D+ Signal. |
| Downstream Port 1 | | | |
| DD-[1] | 3 | I/O/Z | Downstream D- Signal. |
| DD+[1] | 4 | I/O/Z | Downstream D+ Signal. |
| OVR#[1] | 25 | I(R _{UP}) | Active LOW Overcurrent Condition Detection Input. Overcurrent condition detection input for Port 1. |

Notes

- Pin Types: I = Input, O = Output, P = Power/Ground., Z = High Impedance, R_{DN} = Pad internal Pull Down Resistor, R_{UP} = Pad internal Pull Up Resistor.
- PWR#/I2C_SDA can be used as either PWR# or I2C_SDA but not as both. If EEPROM is connected then the pin will act as I2C_SDA, it will not switch to PWR# mode (as it does in 48-pin TQFP package).

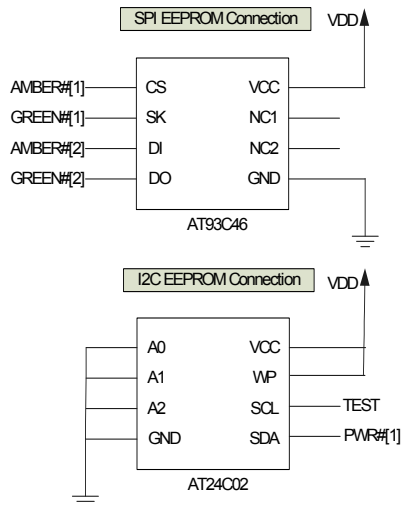
Pin Definitions *(continued)*

28-pin QFN Package

| Name | Pin No. | Type ^[2] | Description |
|--------------------------|---------|---------------------|---|
| Downstream Port 2 | | | |
| DD-[2] | 6 | I/O/Z | Downstream D- Signal. |
| DD+[2] | 7 | I/O/Z | Downstream D+ Signal. |
| OVR#[2] | 24 | I(R _{UP}) | Active LOW Overcurrent Condition Detection Input. Overcurrent condition detection input for Port 2. |
| Downstream Port 3 | | | |
| DD-[3] | 12 | I/O/Z | Downstream D- Signal. NC in CY7C65634. |
| DD+[3] | 13 | I/O/Z | Downstream D+ Signal. NC in CY7C65634. |
| OVR#[3] | 20 | I(R _{UP}) | Overcurrent Condition Detection Input. Default is Active LOW. NC in CY7C65634. |
| Downstream Port 4 | | | |
| DD-[4] | 15 | I/O/Z | Downstream D- Signal. NC in CY7C65634. |
| DD+[4] | 16 | I/O/Z | Downstream D+ Signal. NC in CY7C65634. |
| OVR#[4] | 19 | I(R _{UP}) | Overcurrent Condition Detection Input. Default is Active LOW. NC in CY7C65634. |
| GND | PAD | P | Ground pin for the chip. It is the solderable exposed pad beneath the chip. Refer Figure 6 on page 21 . |

EEPROM Configuration Options

Systems using CY7C6563X have the option of using the default descriptors to configure the hub. Otherwise, it must have an external EEPROM for the device to have a unique VID, and PID. The CY7C6563X can communicate with an SPI (microwire) EEPROM like 93C46 or I2C EEPROM like 24C02. Example EEPROM connections are as shown in the following figure.



Note The 28-pin QFN package includes only support for I2C EEPROM like ATMEL/24C02N_SU27 D, MICROCHIP/4LC028 SN0509, SEIKO/S24CS02AVH9. The 48-pin TQFP package includes both I2C and SPI EEPROM connectivity options. In this case, user can use either SPI or I2C connectivity at a time for communicating to EEPROM. The 48-pin package supports ATMEL/AT93C46DN-SH-T, in addition to the above mentioned families. HX2VL can only read from SPI EEPROM. So, field programming of EEPROM is supported only for I2C EEPROM.

CY7C6563X verifies the check sum after power on reset and if validated loads the configuration from the EEPROM. To prevent this configuration from being overwritten, AMBER[1] is disabled when SPI EEPROM is present.

| Byte | Value |
|---------|------------------------------------|
| 00h | VID_LSB |
| 01h | VID_MSB |
| 02h | PID_LSB |
| 03h | PID_MSB |
| 04h | ChkSum |
| 05h | Reserved - FEh |
| 06h | Removable Ports |
| 07h | Port Number |
| 08h | Maximum Power |
| 09h–0Fh | Reserved - FFh (except 0Bh is FEh) |

| Byte | Value |
|--------------------|-----------------------------|
| 10h | Vendor String Length |
| 11h–3Fh | Vendor String (ASCII code) |
| 40h | Product String Length |
| 41h–6Fh | Product String (ASCII Code) |
| 70h | Serial Number Length |
| 71h to 80h onwards | Serial Number String |

Default VID is 0x4B4, PID is 0x6570.

Byte 0: VID (LSB)

Least Significant Byte of Vendor ID

Byte 1: VID (MSB)

Most Significant Byte of Vendor ID

Byte2: PID (LSB)

Least Significant Byte of Product ID

Byte 3: PID (MSB)

Most Significant Byte of Product ID

Byte 4: ChkSum

CY7C6563X will ignore the EEPROM settings if ChkSum is not equal to VID_LSB + VID_MSB + PID_LSB + PID_MSB + 1

Byte 5: Reserved

Set to FEh

Byte 6: RemovablePorts

RemovablePorts[4:1] are the bits that indicates whether the device attached to the corresponding downstream port is removable (set to 0) or non-removable (set to 1). Bit 1 corresponds to Port 1, Bit 2 to Port 2 and so on. Default value is 0 (removable). These bit values are reported appropriately in the HubDescriptor:DeviceRemovable field.

Bits 0,5,6,7 are set to 0.

Byte 7: Port Number

Port Number indicates the number of downstream ports. The values must be 1 to 4. Default value is 4.

Byte 8: Maximum Power

This value is reported in the Configuration Descriptor: bMax-Power field and is the current in 2 mA increments that is required from the upstream hubs. The allowed range is 00h (0 mA) to FAh(500 mA). Default value is 32h (100mA).

Byte 9–15: Reserved

Set to FFh (except 0Bh is FEh)

Byte 16: Vendor String Length

Length of the Vendor String

Byte 17–63: Vendor String

Value of Vendor String.

Byte 64: Product String Length

Length of the Product String

Byte 65–111: Product String

Value of Product String.

Byte 112: Serial Number Length

Length of the Serial Number

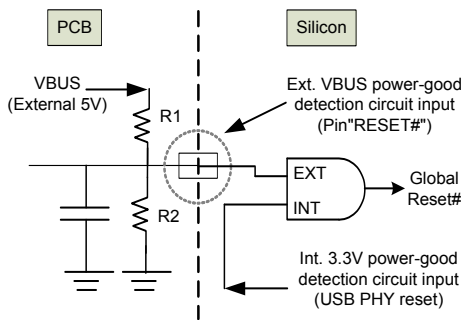
Byte 113 onwards: Serial Number String

Serial Number String.

Pin Configuration Options

Power ON Reset

The power on reset can be triggered by external reset or internal circuitry. The internal reset is initiated, when there is an unstable power event for silicon’s internal core power (3.3 V ± 10%). The internal reset is released 2.7 μs± 1.2% after supply reaches power good voltage (2.5 V to 2.8 V). The external reset pin, continuously senses the voltage level (5 V) on the upstream VBUS as shown in the figure. In the event of USB plug/unplug or drop in voltage, the external reset is triggered. This reset trigger can be configured using the resistors R1 and R2. Cypress recommends that the reset time applied in external reset circuit should be longer than that of the internal reset time.



Gang/Individual Power Switching Mode

A single pin is used to set individual / gang mode as well as output the suspend flag. This is done to reduce the pin count. The individual or gang mode is decided within 20 μs after power on reset. It has a setup time of 1 ns. 50 to 60 ms after reset, this pin is changed to output mode. CY7C6563X outputs the suspend flag, after it is globally suspended. Pull-down resistor of greater than 100K is needed for Individual mode and a pull-up resistor greater than 100K is needed for Gang mode. Figure below shows the suspend LED indicator schematics. The polarity of LED must be followed, otherwise the suspend current will be over the spec limitation (2.5 mA).

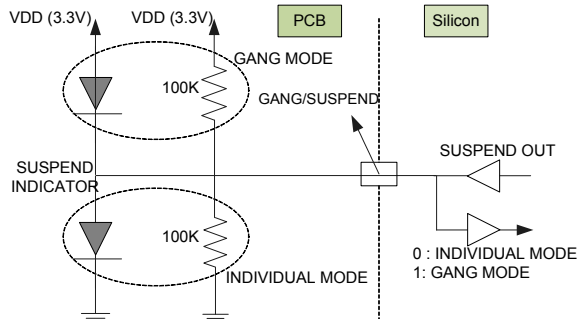


Table 1. Features Supported in 48-pin and 28-pin Packages

| Supported Features | 48 Pin | 28 Pin |
|----------------------------------|--------|--------|
| Port number configuration | Yes | No |
| Non-Removable port configuration | Yes | No |
| Reference clock configuration | Yes | No |
| Power switch enable polarity | Yes | No |
| LED Indicator | Yes | No |

Power Switch Enable Pin Polarity

The pin polarity is set Active-High by pin-strapping the PWR_PIN_POL pin to 1 and Active-Low by pin-strapping the PWR_PIN_POL pin to 0. Thus, both kinds of power switches are supported. This feature is not supported in 28-pin QFN package.

Port Number Configuration

In addition to the EEPROM configuration, as described above, configuring the hub for 2/3/4 ports is also supported using pin-strapping SET_PORT_NUM1 and SET_PORT_NUM2, as shown in following table. Pin strapping option is not supported in the 28-pin QFN package.

| SET_PORT_NUM2 | SET_PORT_NUM1 | # Ports |
|---------------|---------------|----------------|
| 1 | 1 | 1 (Port 1) |
| 1 | 0 | 2 (Port 1/2) |
| 0 | 1 | 3 (Port 1/2/3) |
| 0 | 0 | 4 (All ports) |

Non Removable Ports Configuration

In embedded systems, downstream ports that are always connected inside the system, can be set as non-removable (always connected) ports, by pin-strapping the corresponding FIXED_PORT# pins 1~4 to High, before power on reset. At POR, if the pin is pull high, the corresponding port is set to non-removable. This is not supported in the 28-pin QFN package.

Reference Clock Configuration

This hub can support, optional 27/48 MHz clock source. When on-board 27/48 MHz clock is present, then using this feature, system integrator can further reduce the BOM cost by eliminating the external crystal. This is available through GPIO pin configuration shown as follows. This is not supported in the 28-pin QFN package.

| SEL48 | SEL27 | Clock Source |
|-------|-------|---------------------|
| 0 | 1 | 48 MHz OSC-in |
| 1 | 0 | 27 MHz OSC-in |
| 1 | 1 | 12 MHz X'tal/OSC-in |

Absolute Maximum Ratings

Exceeding maximum ratings may shorten the useful life of the device. User guidelines are not tested.

| | |
|--|-------------------|
| Storage temperature | -55 °C to +100 °C |
| Ambient temperature | 0 °C to +70 °C |
| 5 V supply voltage to ground potential | -0.5 V to +6.0 V |
| 3.3 V supply voltage to ground potential | -0.5 V to +3.6 V |
| Voltage at open drain input pins (OVR#1-4, SELFPWR, RESET#) | -0.5 V to +5.5 V |
| 3.3 V input voltage for digital I/O | -0.5 V to +3.6 V |
| FOSC (oscillator or crystal frequency) | 12 MHz ± 0.05% |

Operating Conditions

| | |
|--|-------------------|
| Ambient temperature | 0 °C to +70 °C |
| Ambient max junction temperature | 0 °C to +125 °C |
| 5 V supply voltage to ground potential | 4.75 V to +5.25 V |
| 3.3 V supply voltage to ground potential | 3.15 V to +3.6 V |
| Input voltage for USB signal pins | 0.5 V to +3.6 V |
| Voltage at open drain input pins | -0.5 V to +5.0 V |
| Thermal characteristics 48-pin TQFP | 78.7 °C/W |
| Thermal characteristics 28-pin QFN | 33.3 °C/W |

Electrical Characteristics

DC Electrical Characteristics

| Parameter | Description | Conditions | Min | Typ | Max | | Unit |
|-----------------|---------------------------------|---|-------|-------|--------------------|--------------------|------------|
| | | | | | External regulator | Internal regulator | |
| P_D | Power dissipation | Excluding USB signals | 366.5 | – | 426.5 | | mW |
| V_{IH} | Input high voltage | | 2 | – | – | | V |
| V_{IL} | Input low voltage | | – | – | 0.8 | | V |
| I_I | Input leakage current | Full speed / Low speed ($0 < V_{IN} < V_{CC}$) | –10 | – | +10 | | μ A |
| | | High speed mode ($0 < V_{IN} < V_{CC}$) | –5 | 0 | +5 | | μ A |
| V_{OH} | Output voltage high | $I_{OH} = 8$ mA | 2.4 | – | – | | V |
| V_{OL} | Output low voltage | $I_{OL} = 8$ mA | – | – | 0.4 | | V |
| R_{DN} | Pad internal pull-down Resistor | | 81 | 103 | 181 | | k Ω |
| R_{UP} | Pad internal pull-up Resistor | | 81 | 103 | 181 | | k Ω |
| C_{IN} | Input pin capacitance | Full speed / Low speed mode | – | – | 20 | | pF |
| | | High speed mode | 4 | 4.5 | 5 | | pF |
| I_{SUSP} | Suspend current | | – | 0.786 | 1.043 | 1.3 | mA |
| I_{CC} | Supply Current | | | | | | |
| | 4 Active ports | Full speed host, full speed devices | – | 88.7 | 103.9 | 105.4 | mA |
| | | High speed host, high speed devices | – | 81.9 | 88.2 | 89.3 | mA |
| | | High speed host, full speed devices | – | 88.2 | 101.2 | 102.3 | mA |
| | 3 Active ports | Full speed host, full speed devices | – | 79.1 | 91.6 | 93 | mA |
| | | High speed host, high speed devices | – | 72.9 | 78.5 | 78.6 | mA |
| | | High speed host, full speed devices | – | 75.9 | 88.7 | 88.8 | mA |
| | 2 Active ports | Full speed host, full speed devices | – | 68.1 | 78.4 | 78.6 | mA |
| | | High speed host, high speed devices | – | 61.9 | 67.6 | 69.6 | mA |
| | | High speed host, full speed devices | – | 64.9 | 75.4 | 76.1 | mA |
| | 1 Active port | Full speed host, full speed devices | – | 57.1 | 66.3 | 66.7 | mA |
| | | High speed host, high speed devices | – | 51.9 | 57.6 | 59.3 | mA |
| | | High speed host, full speed devices | – | 54.7 | 61.1 | 62.5 | mA |
| | No Active Ports | Full speed host | – | 42.8 | 48.9 | 50.3 | mA |
| High speed host | | – | 44.2 | 49.1 | 50.6 | mA | |

AC Electrical Characteristics

USB Transceiver is USB 2.0 certified in low, full and high speed modes.

Both the upstream USB transceiver and all four downstream transceivers have passed the USB-IF USB 2.0 Electrical Certification Testing.

The 48-pin TQFP package can support communication to EEPROM using either I²C or SPI. The 28-pin QFN package can support only I²C communication to EEPROM.

AC Characteristics of these two interfaces to EEPROM are summarized in tables below:

AC Characteristics of SPI EEPROM Interface

| Parameter | Parameter | Min | Typ | Max | Units |
|------------------|---------------------|-----|-----|-----|-------|
| t _{CSS} | CS setup time | 3.0 | – | – | μs |
| t _{CSH} | CS hold time | 3.0 | – | – | |
| t _{SKH} | SK high time | 1.0 | – | – | |
| t _{SKL} | SK low time | 2.2 | – | – | |
| t _{DIS} | DI setup time | 1.8 | – | – | |
| t _{DIH} | DI hold time | 2.4 | – | – | |
| t _{PD1} | Output delay to '1' | – | – | 1.8 | |
| t _{PD0} | Output delay to '0' | – | – | 1.8 | |

AC Characteristics of I²C EEPROM Interface

| Parameter | Parameter | 1.8 V–5.5 V | | 2.5 V–5.5 V | | Units |
|---------------------|----------------------------|-------------|-----|-------------|-----|-------|
| | | Min | Max | Min | Max | |
| f _{SCL} | SCL clock frequency | 0.0 | 100 | 0.0 | 400 | KHz |
| t _{LOW} | Clock LOW Period | 4.7 | – | 1.2 | – | us |
| t _{HIGH} | Clock HIGH Period | 4.0 | – | 0.6 | – | us |
| t _{SU:STA} | Start condition setup time | 4.7 | – | 0.6 | – | us |
| t _{SU:STO} | Stop condition setup time | 4.7 | – | 0.6 | – | us |
| t _{HD:STA} | Start condition hold time | 4.0 | – | 0.6 | – | us |
| t _{HD:STO} | Stop condition hold time | 4.0 | – | 0.6 | – | us |
| t _{SU:DAT} | Data in setup time | 200.0 | – | 100.0 | – | ns |
| t _{HD:DAT} | Data in hold time | 0 | – | 0 | – | ns |
| t _{DH} | Data out hold time | 100 | – | 50 | – | ns |
| t _{AA} | Clock to output | 0.1 | 4.5 | 0.1 | – | us |
| t _{WR} | Write cycle time | – | 10 | – | 5 | ns |

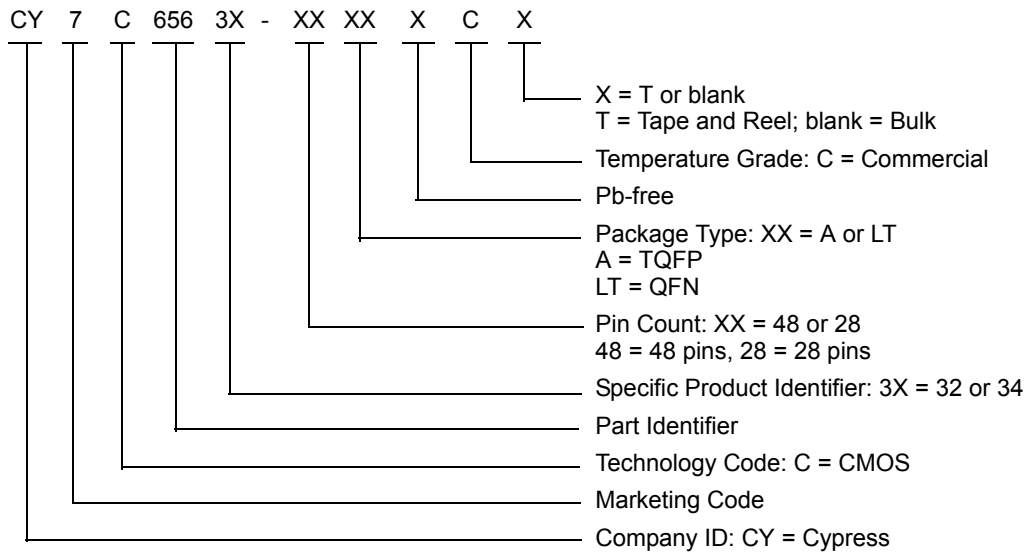
Thermal Resistance

| Parameter | Description | 48-pin TQFP Package | 28-pin QFN Package | Unit |
|-----------------|--|---------------------|--------------------|------|
| θ _{JA} | Thermal resistance (junction to ambient) | 78.7 | 33.3 | °C/W |
| θ _{JC} | Thermal resistance (junction to case) | 35.3 | 18.4 | °C/W |

Ordering Information

| Ordering Code | Device | Package Type |
|-------------------|---|---------------------------|
| CY7C65632-48AXC | 4 port Single-TT hub (configurable with GPIOs and EEPROM) | 48-pin TQFP Bulk |
| CY7C65632-28LTXC | 4 port Single-TT hub (configurable with GPIOs and EEPROM) | 28-pin QFN Bulk |
| CY7C65632-48AXCT | 4 port Single-TT hub (configurable with GPIOs and EEPROM) | 48-pin TQFP Tape and Reel |
| CY7C65632-28LTXCT | 4 port Single-TT hub (configurable with GPIOs and EEPROM) | 28-pin QFN Tape and Reel |
| CY7C65634-48AXC | 2 port Single-TT hub (configurable with GPIOs and EEPROM) | 48-pin TQFP Bulk |
| CY7C65634-28LTXC | 2 port Single-TT hub (configurable with GPIOs and EEPROM) | 28-pin QFN Bulk |
| CY7C65634-48AXCT | 2 port Single-TT hub (configurable with GPIOs and EEPROM) | 48-pin TQFP Tape and Reel |
| CY7C65634-28LTXCT | 2 port Single-TT hub (configurable with GPIOs and EEPROM) | 28-pin QFN Tape and Reel |

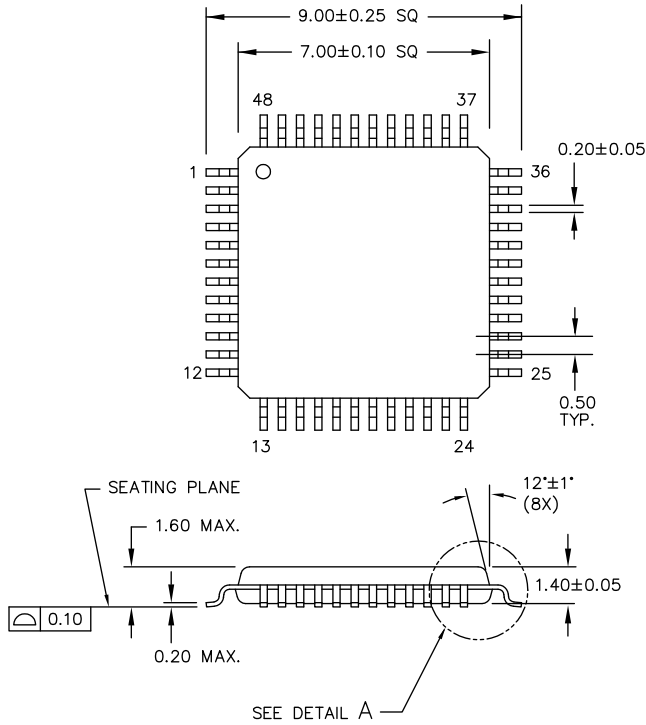
Ordering Code Definitions



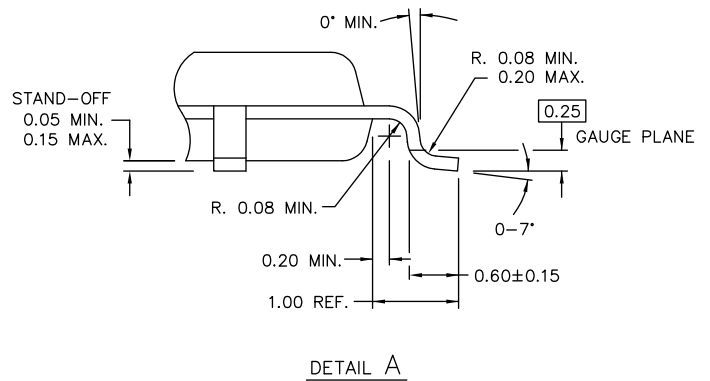
Package Diagrams

The CY7C65632 is available in following packages:

Figure 5. 48-pin TQFP (7 × 7 × 1.4 mm) A48 Package Outline, 51-85135



DIMENSIONS ARE IN MILLIMETERS

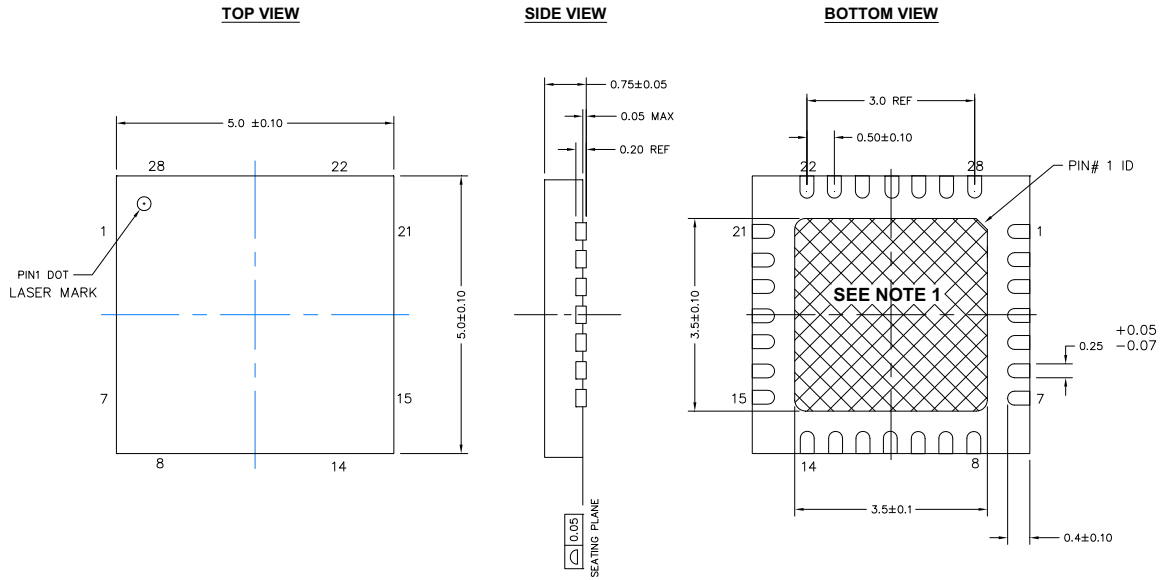


51-85135 *B


Package Diagrams (continued)

The CY7C65632 is available in following packages:

Figure 6. 28-pin QFN (5 × 5 × 0.8 mm), LT28A (3.5 × 3.5 E-Pad), Sawn Package Outline, 001-64621



NOTES:

1.  HATCH AREA IS SOLDERABLE EXPOSED PAD
2. BASED ON REF JEDEC # MO-220
3. PACKAGE WEIGHT: ~0.05gr
4. DIMENSIONS ARE IN MILLIMETERS

001-64621 **

Acronyms

| Acronym | Description |
|-------------------|---|
| AC | alternating current |
| ASCII | american standard code for information interchange |
| EEPROM | electrically erasable programmable read only memory |
| EMI | electromagnetic interference |
| ESD | electrostatic discharge |
| GPIO | general purpose input/output |
| I/O | input/output |
| LED | light emitting diode |
| LSB | least significant bit |
| MSB | most significant bit |
| PCB | printed circuit board |
| PLL | phase-locked loop |
| POR | power on reset |
| PSoC [®] | Programmable System-on-Chip [™] |
| QFN | quad flat no leads |
| RAM | random access memory |
| ROM | read only memory |
| SIE | serial interface engine |
| TQFP | thin quad flat pack |
| TT | transaction translator |
| USB | universal serial bus |

Document Conventions

Units of Measure

| Symbol | Unit of Measure |
|--------|-------------------|
| °C | degree Celsius |
| kHz | kilohertz |
| kΩ | kilohm |
| MHz | megahertz |
| μA | microampere |
| μs | microsecond |
| μW | microwatt |
| mA | milliampere |
| mm | millimeter |
| ms | millisecond |
| mW | milliwatt |
| ns | nanosecond |
| Ω | ohm |
| % | percent |
| pF | picofarad |
| ppm | parts per million |
| V | volt |
| W | watt |

Document History Page

| Document Title: CY7C65632/CY7C65634, HX2VL™ Very Low Power USB 2.0 Hub Controller | | | | |
|---|---------|-----------------|-----------------|---|
| Document Number: 001-67568 | | | | |
| Revision | ECN | Orig. of Change | Submission Date | Description of Change |
| ** | 3183649 | SSJO / SWAK | 03/02/2011 | New data sheet. |
| *A | 3250883 | SWAK / AASI | 05/06/2011 | Updated Functional Overview (Updated Port Indicators (Added a Note "Pin-strapping GREEN#[1] and GREEN#[2] enables proprietary function that may affect the normal functionality of HX2VL. Configuring Port #1 and #2 as non-removable by pin-strapping should be avoided.")). Updated Pin Configurations (Updated Figure 1 and Figure 2 (Pin 37 of the 48-pin TQFP package was named SELF_PWR. It is changed to SELF_PWR.)). Updated Pin Definitions (changed value from 680 Ω to 650 Ω in description of RREF pin). Updated Functional Overview (Updated Power Regulator on page 5 (Changed regulator's maximum current loading from 200 mA to 150 mA)). Updated Pin Configuration Options (Updated Power Switch Enable Pin Polarity (Replaced first two occurrences of the word "setting" with "pin-strapping")). Updated Electrical Characteristics (Updated DC Electrical Characteristics (Changed typical value of I _{SUSP} parameter from 693.3 μA to 786 μA, changed maximum value of I _{SUSP} parameter 693.7 μA to 903 μA, and updated typical and maximum values of I _{CC} parameter)). |
| *B | 3324484 | AASI | 07/25/2011 | Changed status from Preliminary to Final. Updated Pin Configurations (Included CY7C65634 related information). Updated Pin Definitions (Changed description of OVR# pins from "Default is Active LOW" to "Active LOW Overcurrent Condition Detection Input" (since the polarity is not configurable)). Updated Pin Definitions (Changed description of OVR# pins from "Default is Active LOW" to "Active LOW Overcurrent Condition Detection Input" (since the polarity is not configurable)). Updated Electrical Characteristics (Updated DC Electrical Characteristics (Updated minimum, typical, and maximum values of R _{DN} and R _{UP} parameters to 81 kΩ, 103 kΩ, and 181 kΩ)). |
| *C | 3336689 | SWAK | 08/04/2011 | No technical updates. |
| *D | 3412885 | AASI | 10/18/2011 | Updated Pin Configurations (Updated Figure 1 and Figure 2 (Renamed SPI_DI to SPI_MOSI, renamed SPI_DO to SPI_MISO respectively for clarity), updated Figure 3 (Updated pin 26 to describe the alternate function I2C_SDA.), updated Figure 4 (Updated to reflect pin 20 as NC)). Updated Pin Definitions (Renamed SPI_DI to SPI_MOSI, renamed SPI_DO to SPI_MISO respectively for clarity). Updated Pin Definitions (Added Note 3 and referred the same note in PWR#). Minor text edits to add clarity. |
| *E | 3508597 | AASI | 01/25/2011 | Updated EEPROM Configuration Options (Removed text, "Strings must comply with the USB specification. The first byte (Byte 16) must be the length of the string in bytes, the second must be 0x03, and the string must be in ASCII code." below "Vendor string", "Product string" and "Serial Number string"). Updated Functional Overview (Updated Overcurrent Detection (Included the text, "OVR#[n] has a setup time of 20 ns. It takes 3 to 4 ms from overcurrent detection to de-assertion of PWR#[n]."). |

Document History Page *(continued)*

| Document Title: CY7C65632/CY7C65634, HX2VL™ Very Low Power USB 2.0 Hub Controller | | | | |
|---|---------|-----------------|-----------------|--|
| Document Number: 001-67568 | | | | |
| Revision | ECN | Orig. of Change | Submission Date | Description of Change |
| *F | 3660597 | AASI | 07/02/2012 | <p>Updated EEPROM Configuration Options (Changed the value of Byte 5 to FEh to match with the tabular column).</p> <p>Updated Electrical Characteristics (Updated DC Electrical Characteristics (Splitted the Max column into two columns namely External regulator and Internal regulator for I_{SUSP} and I_{CC} parameters and updated the corresponding values)).</p> <p>Added Thermal Resistance.</p> <p>Updated in new template.</p> |

Sales, Solutions, and Legal Information

Worldwide Sales and Design Support

Cypress maintains a worldwide network of offices, solution centers, manufacturer's representatives, and distributors. To find the office closest to you, visit us at [Cypress Locations](#).

Products

| | |
|--------------------------|--|
| Automotive | cypress.com/go/automotive |
| Clocks & Buffers | cypress.com/go/clocks |
| Interface | cypress.com/go/interface |
| Lighting & Power Control | cypress.com/go/powerpsoc cypress.com/go/plc |
| Memory | cypress.com/go/memory |
| Optical & Image Sensing | cypress.com/go/image |
| PSoC | cypress.com/go/psoc |
| Touch Sensing | cypress.com/go/touch |
| USB Controllers | cypress.com/go/USB |
| Wireless/RF | cypress.com/go/wireless |

PSoC Solutions

psoc.cypress.com/solutions
PSoC 1 | PSoC 3 | PSoC 5

© Cypress Semiconductor Corporation, 2011-2012. The information contained herein is subject to change without notice. Cypress Semiconductor Corporation assumes no responsibility for the use of any circuitry other than circuitry embodied in a Cypress product. Nor does it convey or imply any license under patent or other rights. Cypress products are not warranted nor intended to be used for medical, life support, life saving, critical control or safety applications, unless pursuant to an express written agreement with Cypress. Furthermore, Cypress does not authorize its products for use as critical components in life-support systems where a malfunction or failure may reasonably be expected to result in significant injury to the user. The inclusion of Cypress products in life-support systems application implies that the manufacturer assumes all risk of such use and in doing so indemnifies Cypress against all charges.

Any Source Code (software and/or firmware) is owned by Cypress Semiconductor Corporation (Cypress) and is protected by and subject to worldwide patent protection (United States and foreign), United States copyright laws and international treaty provisions. Cypress hereby grants to licensee a personal, non-exclusive, non-transferable license to copy, use, modify, create derivative works of, and compile the Cypress Source Code and derivative works for the sole purpose of creating custom software and or firmware in support of licensee product to be used only in conjunction with a Cypress integrated circuit as specified in the applicable agreement. Any reproduction, modification, translation, compilation, or representation of this Source Code except as specified above is prohibited without the express written permission of Cypress.

Disclaimer: CYPRESS MAKES NO WARRANTY OF ANY KIND, EXPRESS OR IMPLIED, WITH REGARD TO THIS MATERIAL, INCLUDING, BUT NOT LIMITED TO, THE IMPLIED WARRANTIES OF MERCHANTABILITY AND FITNESS FOR A PARTICULAR PURPOSE. Cypress reserves the right to make changes without further notice to the materials described herein. Cypress does not assume any liability arising out of the application or use of any product or circuit described herein. Cypress does not authorize its products for use as critical components in life-support systems where a malfunction or failure may reasonably be expected to result in significant injury to the user. The inclusion of Cypress' product in a life-support systems application implies that the manufacturer assumes all risk of such use and in doing so indemnifies Cypress against all charges.

Use may be limited by and subject to the applicable Cypress software license agreement.