

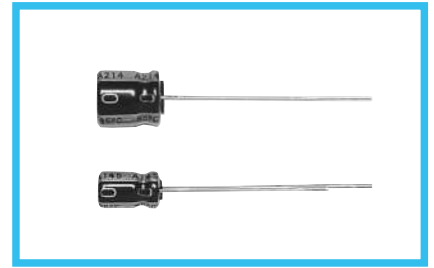
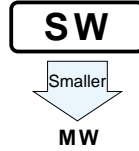
# ALUMINUM ELECTROLYTIC CAPACITORS



**SW** series 7mmL, For Audio Equipment



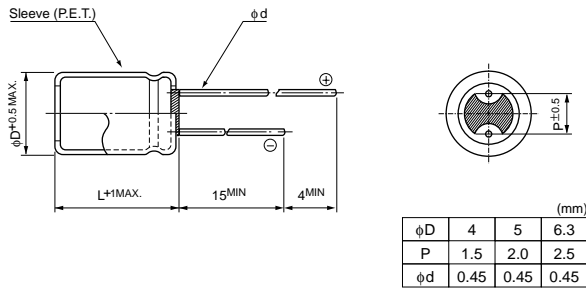
- Acoustic series, with 7mm height.
- Compliant to the RoHS directive (2002/95/EC).



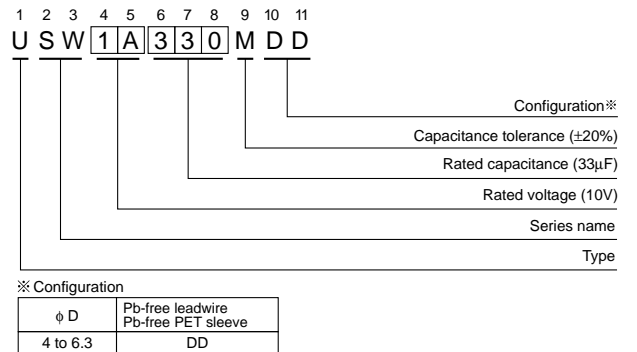
## Specifications

Item	Performance Characteristics							
Category Temperature Range	-40 to +85°C							
Rated Voltage Range	6.3 to 50V							
Rated Capacitance Range	0.1 to 220μF							
Capacitance Tolerance	±20% at 120Hz, 20°C							
Leakage Current	After 2 minutes' application of rated voltage, leakage current is not more than 0.01CV or 3 (μA) , whichever is greater.							
Tangent of loss angle (tan δ)	Measurement frequency : 120Hz at 20°C							
	Rated voltage (V)	6.3	10	16	25	35	50	
Stability at Low Temperature	Measurement frequency : 120Hz							
	Rated voltage (V)	6.3	10	16	25	35	50	
	Impedance ratio ZT / Z20 (MAX.)	Z-25°C / Z+20°C	4	3	2	2	2	2
Endurance	The specifications listed at right shall be met when the capacitors are restored to 20°C after the rated voltage is applied for 1000 hours at 85°C.		Capacitance change					Within ±20% of the initial capacitance value
			tan δ					200% or less than the initial specified value
Shelf Life			Leakage current					Less than or equal to the initial specified value
			After storing the capacitors under no load at 85°C for 1000 hours and then performing voltage treatment based on JIS C 5101-4 clause 4.1 at 20°C, they shall meet the specified values for the endurance characteristics listed above.					
Marking	Printed with black color letter on gold sleeve.							

## Radial Lead Type



## Type numbering system (Example : 10V 33μF)



## Dimensions

Cap.(μF)	Code	V 6.3		10		16		25		35		50	
		0J		1A		1C		1E		1V		1H	
0.1	0R1											4 × 7	1.0
0.22	R22											4 × 7	2.3
0.33	R33											4 × 7	3.5
0.47	R47											4 × 7	5.0
1	010											4 × 7	10
2.2	2R2											4 × 7	19
3.3	3R3											4 × 7	24
4.7	4R7											4 × 7	28
10	100					4 × 7	28	4 × 7	28	4 × 7	31	5 × 7	38
22	220	4 × 7	34	4 × 7	35	4 × 7	39	5 × 7	48	5 × 7	52	6.3 × 7	58
33	330	4 × 7	40	4 × 7	43	5 × 7	55	5 × 7	58	6.3 × 7	65		
47	470	4 × 7	48	5 × 7	59	5 × 7	65	6.3 × 7	71				
100	101	5 × 7	78	6.3 × 7	87	6.3 × 7	98						
220	221	6.3 × 7	120									Case size φD × L (mm)	Rated ripple

## Frequency coefficient of rated ripple current

Frequency	50Hz	120Hz	300Hz	1kHz	10kHz or more
Coefficient	0.70	1.00	1.17	1.36	1.50

Rated ripple current (mArms) at 85°C 120Hz

Please refer to page 20, 21, 22 about the formed or taped product spec.  
Please refer to page 4 for the minimum order quantity.

CAT.8100B