

Type 4 Mild Steel Junction Box *Eclipse Junior Series*

Continuous Hinge Door with Quarter Turn



Application

- Designed to enclose electrical and/or electronic equipment and protect against harsh, industrial environments.
- For use as instrument enclosures, electric, hydraulic or pneumatic control housings, electrical junction boxes or terminal wiring enclosures.
- Impressive styling features make the Eclipse Junior a suitable addition to any high-tech equipment installation.

Standards

- UL 508 Type 3R, 4, 12 and 13
- CSA Type 3R, 4, 12 and 13
- Complies with
 - NEMA Type 3R, 4, 12 and 13
 - IEC 60529, IP66

Construction

- Body and cover are formed from 16 gauge steel.
- Smooth, continuously welded seams without knockouts, cutouts, or holes.
- Formed lip on enclosure to exclude flowing liquids and contaminants.
- 14 gauge welded brackets provide for enclosure mounting.
- Continuously hinged cover has 304 stainless steel hinges and provides 180° opening.
- Door latches feature the added safety of quarter turn slot requiring use of tool for opening.
- Quarter turn latches formed from black zinc diecast.
- Seamless poured-in place gasket.
- Models larger than 4"x4" include a removable 14 gauge galvanized inner panel.
- Internal threaded weld studs are provided for mounting inner panels.
- A bonding stud is provided on the door and a grounding stud is provided on the enclosure.
- Grounding and panel mounting hardware provided.

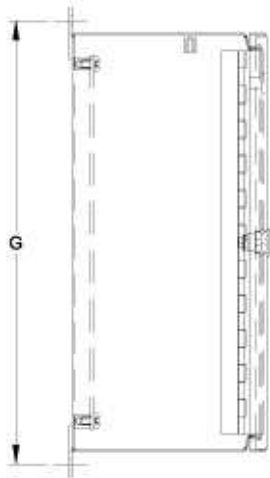
Finish

- Cover and enclosure are finished in recoatable smooth ANSI 61 gray powder coating.
- Inner panels are unpainted galvanized steel.

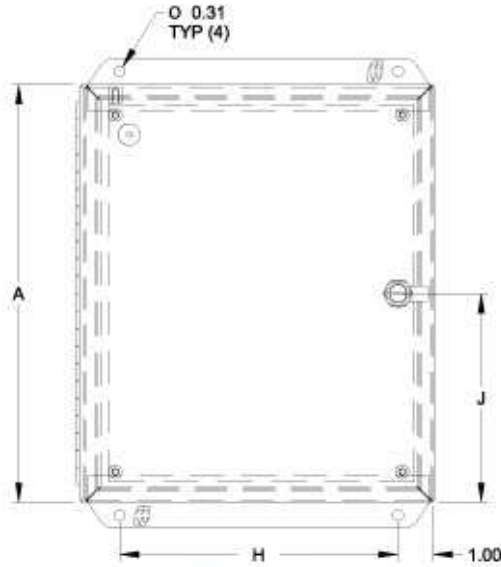
Accessories

- [Additional Inner Panels](#)
- [Breather Kits](#)
- [Padlock Adaptor](#)
- [Temperature Controls](#)
- [Filtered Fans](#)
- [Type 1 Louvered Ventilating Plates](#)
- [Terminal Kit Assemblies](#)
- [Wing Knob Lock](#)

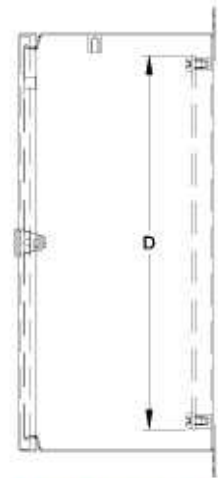
- [Swing Panel Kit](#)



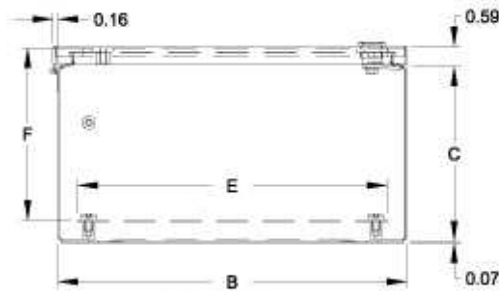
Hinge Side View



Front View



Latch Side View



End View

Part No.	Overall Dimensions			Panel Size						Ship Wt. (lbs)
	A	B	C	H	G	D	E	J	F	
EJ443	4.00	4.00	3.00	2.00	4.75	-	-	2	-	2
EJ643	6.00	4.00	3.00	2.00	6.75	4.88	2.88	3	2.92	2
EJ683	6.00	8.00	3.50	6.00	6.75	4.88	6.75	3	3.42	5
EJ863	8.00	6.00	3.50	4.00	8.75	6.75	4.88	4	3.42	5
EJ444	4.00	4.00	4.00	2.00	4.75	-	-	2	-	3
EJ644	6.00	4.00	4.00	2.00	6.75	4.88	2.88	3	3.92	3
EJ664	6.00	6.00	4.00	4.00	6.75	4.88	4.88	3	3.92	4
EJ884	8.00	8.00	4.00	6.00	8.75	6.75	6.88	4	3.92	7
EJ8104	8.00	10.00	4.00	8.00	8.75	6.88	8.75	4	3.92	8
EJ1084	10.00	8.00	4.00	6.00	10.75	8.75	6.88	5	3.92	8
EJ1264	12.00	6.00	4.00	4.00	12.75	10.75	4.88	6	3.92	8
EJ10125	10.00	12.00	5.00	10.00	10.75	8.88	10.75	5	4.92	10
EJ12105	12.00	10.00	5.00	8.00	12.75	10.75	8.88	6	4.92	12
EJ866	8.00	6.00	6.00	4.00	8.75	6.75	4.88	4	5.92	7
EJ1086	10.00	8.00	6.00	6.00	10.75	8.75	6.88	5	5.92	10
EJ10106	10.00	10.00	6.00	8.00	10.75	8.75	8.88	5	5.92	12
EJ12126	12.00	12.00	6.00	10.00	12.75	10.75	10.88	6	5.92	15
EJ12146	12.00	14.00	6.00	12.00	12.75	10.88	12.75	6	5.92	17
EJ1486	14.00	8.00	6.00	6.00	14.75	12.75	6.88	7	5.92	10
EJ14126	14.00	12.00	6.00	10.00	14.75	12.75	10.88	7	5.92	17
EJ14166	14.00	16.00	6.00	14.00	14.75	12.88	14.75	7	5.92	21
EJ16106	16.00	10.00	6.00	8.00	16.75	14.75	8.88	8	5.92	15
EJ16146	16.00	14.00	6.00	12.00	16.75	14.75	12.88	8	5.92	21

EJ12108	12.00	10.00	8.00	8.00	12.75	10.75	8.88	6	7.92	15
EJ14128	14.00	12.00	8.00	10.00	14.75	12.75	10.88	7	7.92	18
EJ16148	16.00	14.00	8.00	12.00	16.75	14.75	12.88	8	7.92	22
EJ161410	16.00	14.00	10.00	12.00	16.75	14.75	12.88	8	9.92	23

Data subject to change without notice.

© 2012. Hammond Manufacturing Ltd. All rights reserved.