

## Type 4X Polyester Junction Box w/ Raised Lid (Solid and Window) PJ Series

Continuous Hinge Door with Twist Latches



### Application

- Designed for use as instrument enclosures, electric, hydraulic or pneumatic control housings, electrical junction boxes or terminal wiring enclosures.
- Provides outstanding insulation and protection where equipment may be hosed down or be very wet.
- Ideal in applications with high temperatures or highly corrosive environments.

### Standards

- UL 508 Type 1, 2, 3, 4, 4X, 12 and 13
- CSA Type 1, 2, 3, 4, 4X, 12 and 13
- Complies with
  - NEMA Type 1, 2, 3, 4, 4X, 12, & 13
  - IEC 60529, IP66

### Construction

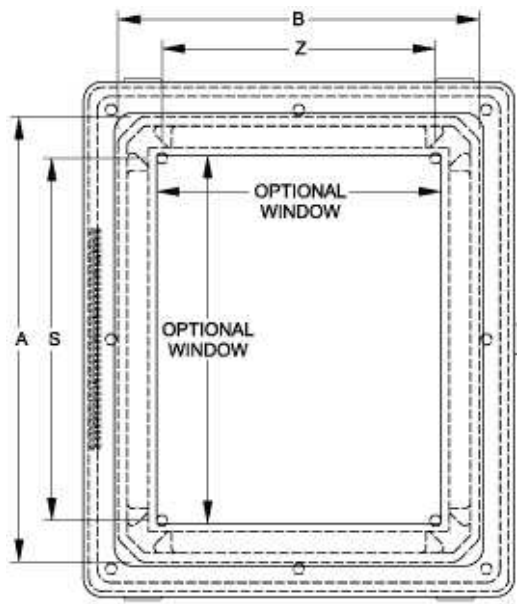
- Molded fiberglass polyester enclosure with matching cover is easily punched, cut, or drilled.
- Enhanced UV inhibitors protect against outdoor weathering.
- Threaded brass inserts are provided for optional inner panel or terminal kit mounting. Mounting hardware is included.
- Stainless steel draw type "twist latch" door fasteners.
- Door fasteners include a provision for padlocking.
- Enclosures are available with bonded polycarbonate viewing windows.
- Door is supported with a continuous stainless steel hinge.
- Captive oil resistant gasket provides a positive seal.
- Threaded brass inserts are provided for mounting feet to the rear of the enclosure.
- Stainless steel mounting brackets and hardware are provided for mounting to the rear of the enclosure.
- Operating temperatures between 130°C and -40°C (266°F to -40°F).
- Impact index of 6.78J (5 ft/lb).
- For corrosion resistance information, please refer to table in the Technical Information section.

### Finish

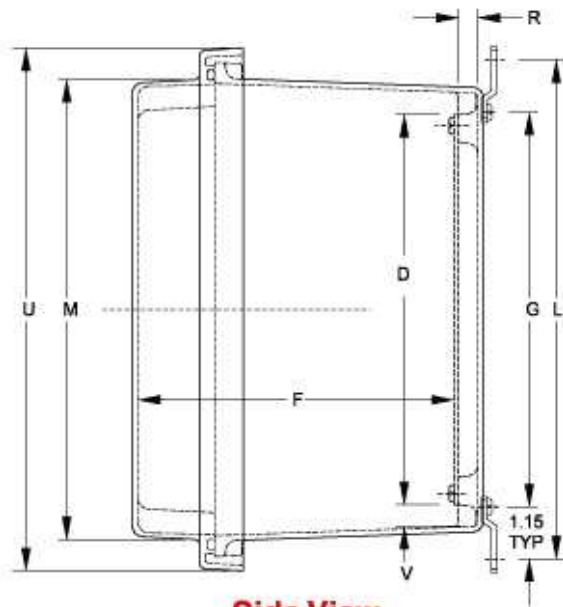
- Fiberglass polyester material has a gray finish.
- Optional inner panels are available in white powder coated finished steel or unfinished aluminum, or fiberglass.

### Accessories

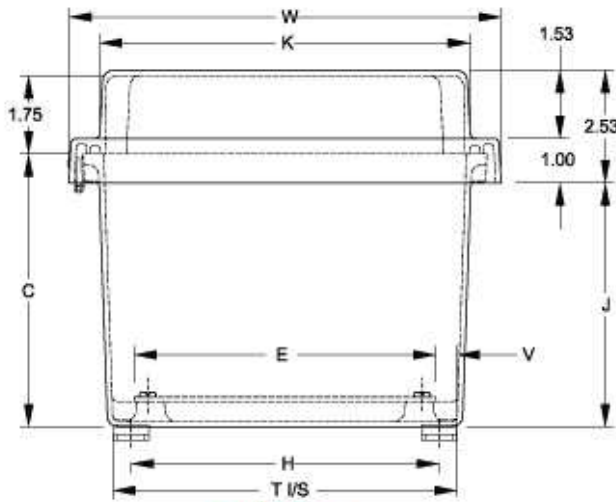
- [Additional Inner Panels](#)
- [Terminal Kit Assemblies](#)
- [Swing Panels](#)



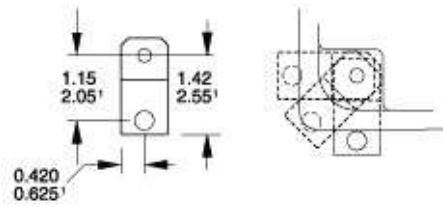
**Front View**



**Side View**



**End View**



**Optional Mounting Feet Locations**

**Thermal Index**  
130°C to -40°C (266°F to -40°F)  
**Impact Index**  
6.78J (5 ft/lb)

Solid Cover Part No.	Window Cover Part No.	Overall Dimensions			Panel Size				Center			
		A	B	C	D	E	F	G	H	J	S	Z
PJ664RT	PJ664RTW	6.10	6.10	4.18	4.88	4.88	5.26	5.01	5.01	3.52	4.25	4.25
PJ864RT	PJ864RTW	8.00	6.12	4.13	6.75	4.88	5.21	6.89	5.01	3.47	6.25	4.25
PJ1084RT	PJ1084RTW	10.13	8.26	4.13	8.75	6.88	5.21	8.89	7.01	3.47	8.25	6.25
PJ1086RT	PJ1086RTW	10.13	8.26	6.13	8.75	6.88	7.21	8.89	7.01	5.47	8.25	6.25
PJ12106RT	PJ12106RTW	12.13	10.26	6.13	10.75	8.88	7.21	10.89	9.01	5.47	10.25	8.25
PJ14126RT	PJ14126RTW	14.13	12.26	6.13	12.75	10.88	7.21	12.89	11.01	5.47	12.25	10.25
PJ16148RT	PJ16148RTW	16.27	14.40	8.13	14.75	12.88	9.21	14.89	13.01	7.47	14.25	12.25
PJ18168RT	PJ18168RTW	18.40	16.40	8.13	16.88	14.88	9.21	16.97	14.97	7.47	16.25	14.25
PJ20168RT	PJ20168RTW	20.00	16.00	8.13	18.44	14.44	9.21	18.54	14.54	7.47	17.81	13.81
PJ24208RT <sup>1</sup>	PJ24208RTW <sup>1</sup>	24.00	20.00	8.13	21.00	17.00	8.65	22.75	18.75	7.47	19.25	15.25
PJ24248RT <sup>1</sup>	PJ24248RTW <sup>1</sup>	24.00	24.00	8.13	21.00	21.00	8.65	22.75	22.75	7.47	19.25	19.25
PJ30248RT <sup>1</sup>	PJ30248RTW <sup>1</sup>	30.00	24.00	8.13	27.00	21.00	8.65	28.75	22.75	7.47	25.25	19.25
PJ242010RT <sup>1</sup>	PJ242010RTW <sup>1</sup>	24.00	20.00	10.13	21.00	17.00	10.65	22.75	18.75	9.47	19.25	15.25
PJ242410RT <sup>1</sup>	PJ242410RTW <sup>1</sup>	24.00	24.00	10.13	21.00	21.00	10.65	22.75	22.75	9.47	19.25	19.25
PJ302410RT <sup>1</sup>	PJ302410RTW <sup>1</sup>	30.00	24.00	10.13	27.00	21.00	10.65	28.75	22.75	9.47	25.25	19.25

<sup>1</sup> Uses larger mounting foot - see drawing above.

Solid Cover Part No.	Window Cover Part No.	Cover Dimensions								Opt. Panel Part No.	Window	
		L	T	K	M	U	W	R	V		Height	Width
<b>PJ664RT</b>	<b>PJ664RTW</b>	7.32	5.83	6.08	6.08	7.69	7.69	0.44	0.49	<b>14R0505</b>	4.25	4.25
<b>PJ864RT</b>	<b>PJ864RTW</b>	9.19	5.85	6.11	7.98	9.59	7.71	0.44	0.50	<b>14R0705</b>	6.26	4.25
<b>PJ1084RT</b>	<b>PJ1084RTW</b>	11.19	7.85	8.44	10.32	11.77	9.90	0.44	0.50	<b>14R0907</b>	8.37	6.50
<b>PJ1086RT</b>	<b>PJ1086RTW</b>	11.19	7.85	8.44	10.32	11.77	9.90	0.44	0.50	<b>14R0907</b>	8.37	6.50
<b>PJ12106RT</b>	<b>PJ12106RTW</b>	13.19	9.85	10.45	12.32	13.77	11.90	0.44	0.50	<b>14R1109</b>	10.37	8.50
<b>PJ14126RT</b>	<b>PJ14126RTW</b>	15.19	11.85	12.45	14.32	15.73	13.85	0.44	0.50	<b>14R1311</b>	12.37	10.50
<b>PJ16148RT</b>	<b>PJ16148RTW</b>	17.19	13.71	13.86	15.73	17.87	15.99	0.44	0.50	<b>14R1513</b>	13.00	11.00
<b>PJ18168RT</b>	<b>PJ18168RTW</b>	19.28	15.72	15.86	17.86	20.00	18.00	0.44	0.50	<b>P1868</b>	14.00	12.00
<b>PJ20168RT</b>	<b>PJ20168RTW</b>	20.84	15.31	15.43	19.43	21.59	17.59	0.44	0.52	<b>P2068</b>	15.00	11.00
<b>PJ24208RT<sup>1</sup></b>	<b>PJ24208RTW<sup>1</sup></b>	25.06	19.73	20.16	24.16	25.59	21.59	1.00	1.38	<b>18P2117</b>	16.00	12.00
<b>PJ24248RT<sup>1</sup></b>	<b>PJ24248RTW<sup>1</sup></b>	25.06	23.73	24.16	24.16	25.59	25.59	1.00	1.38	<b>18P2121</b>	16.00	16.00
<b>PJ30248RT<sup>1</sup></b>	<b>PJ30248RTW<sup>1</sup></b>	31.06	23.73	24.16	30.16	31.59	25.59	1.00	1.38	<b>18P2721</b>	23.00	17.00
<b>PJ242010RT<sup>1</sup></b>	<b>PJ242010RTW<sup>1</sup></b>	25.06	19.70	20.16	24.16	25.59	21.59	1.00	1.36	<b>18P2117</b>	16.00	12.00
<b>PJ242410RT<sup>1</sup></b>	<b>PJ242410RTW<sup>1</sup></b>	25.06	23.70	24.16	24.16	25.59	25.59	1.00	1.36	<b>18P2121</b>	16.00	16.00
<b>PJ302410RT<sup>1</sup></b>	<b>PJ302410RTW<sup>1</sup></b>	31.06	23.70	24.16	30.16	31.59	25.59	1.00	1.36	<b>18P2721</b>	23.00	17.00

<sup>1</sup> Uses larger mounting foot - see drawing above.

*Data subject to change without notice.*

© 2012. Hammond Manufacturing Ltd. All rights reserved.