

2000 BTU/H Indoor Air Conditioner *DTS Series*

Type 12, Side Mounting



Description

- Compact design for side mounting on any enclosure surface where hot spot cooling or low capacity cooling is required.
- Closed loop cooling ensures clean enclosure air is recirculated without ever mixing with contaminated ambient air.

Standards

- Maintains enclosure's NEMA 12 rating
- IP 54
- UR, cUR and CE

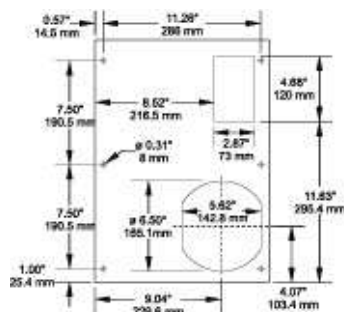
Features

- R134a Refrigerant.
- Thermostat Control
- Line cord with plug (115 V)
- Washable filter mat protected within an easily removable grill
- Expansion valve permits increased efficiency through improved evaporator heat transfer and less frequent compressor operation
- Built in condensate evaporator
- Continuous air circulation from high capacity fans
- EMI/RFI suppression meets CE
- Gasket, mounting kit and template for cutout and drilling are included
- Condensate drain hose and clamp
- Exterior case easily removable for field service
- Q Mount allows unit to hang in place for easy installation

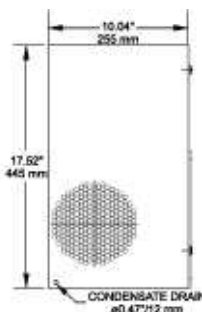


Accessories

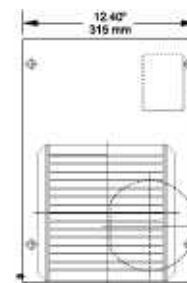
- [Neoprene & Urethane Gasket Kits](#)



Drilling Template



Left Side View



Front View

Part No.	Ship Wt. lbs
DTS2000A115LG	54
DTS2000A230LG	54

Electrical Data	DTS2000A 115LG	DTS2000A 230LG
Rated Voltage	115 V 60 Hz	230 V 50/60 Hz
	110 v 50 Hz	
Range of Operation	103-127 V	207-253 V

Power Consumption	270 W	230 W
Running Amps	2.9 A	1.3 A
Starting Current	13.8 A	7.4 A
Line Cord	With Plug	Without Plug

Refrigeration Data	
Rated Capacity	2000 BTU/H (580 Watts)
Type of Refrigerant	R134a
Refrigerant Charge	300 g
Adjustable Thermostat	Factory setting +95°F (+35°C)
Max. Ambient Air Temp.	+125°F (+52°C)
Min. Ambient Air Temp.	+46°F (+8°C)
Air Capacity (unrestricted)	Internal Circulation 230 CFM
	External Circulation 230 CFM
Condensation Discharge	Condensate evaporator
Filter Mat	150 g/m ²
Db Noise Level	<62 dB (A)
Unit Weight	51 lbs (23 kg)
Exterior Case	Galvanized sheet metal
Finish	RAL7035 light grey finish
NEMA Rating	Enclosures IP 54/NEMA 12

Data subject to change without notice.