

RESETTABLE CIRCUIT BREAKER

LIGHTED ON/OFF POWER SWITCH

482.60 mm
[19.000 in]

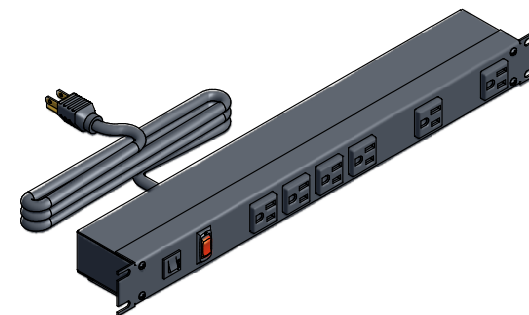
43.64 mm
[1.718 in]

165.10 mm
[6.500 in]

38.10 mm TYP
[1.500 in]

76.20 mm TYP
[3.000 in]

ASSEMBLY - VIEW FROM FRONT



ISOMETRIC VIEW

19.05 mm
[0.750 in]

444.50 mm
[17.500 in]

5.08 mm
[0.200 in]

67.58 mm
[2.661 in]

6' FOOT
POWER CORD
(NEMA 5-15P)

ASSEMBLY - VIEW FROM BOTTOM

ASSEMBLY - VIEW FROM SIDE

1582H6A1BK

Finish - Front - Black Painted Steel

Back - Black Painted Steel

Rated - 125 VAC, 60 Hz, 15 Amps

Approvals - CSA Certified Standards C22.2 (No. 21-95, 42-99)

- UL Recognized Standard UL1363

Colours & Cord Length

1582H6A1BK - Black w/ 6' Foot Power Cord (NEMA 5-15P)

1582H6A1- ASA 61 Grey w/ 6' Foot Power Cord (NEMA 5-15P)

1582H6B1BK - Black w/ 15' Foot Power Cord (NEMA 5-15P)

1582H6B1- ASA 61 Grey w/ 15' Foot Power Cord (NEMA 5-15P)

10.31 mm
[0.406 in]

461.98 mm
[18.188 in]

5.97 mm
[0.235 in]

31.70 mm
[1.248 in]

127.00 mm
[5.000 in]

SECTION A-A

R3.18 mm
[0.125 in]



**HAMMOND
MANUFACTURING™**

1582H6A1BK

www.hammondmfg.com