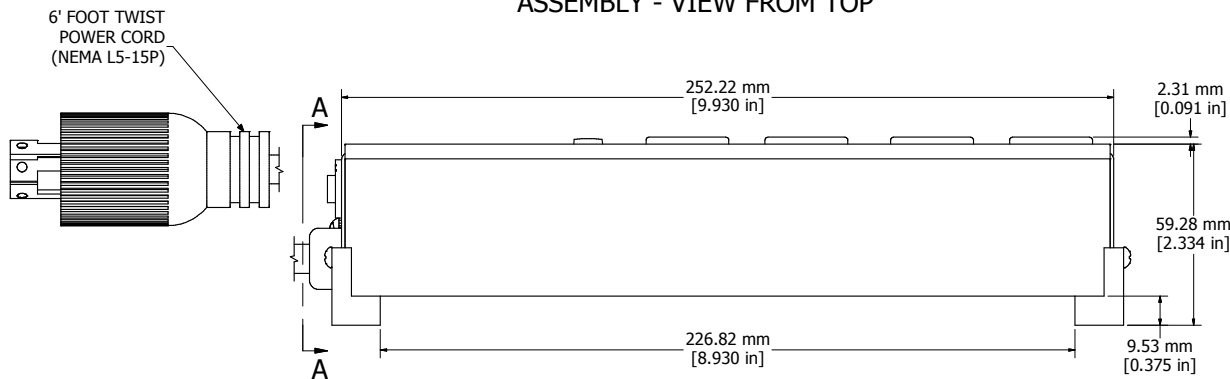
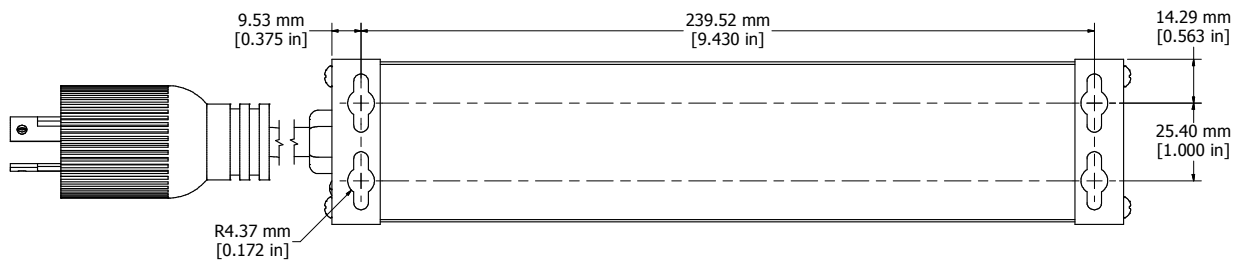


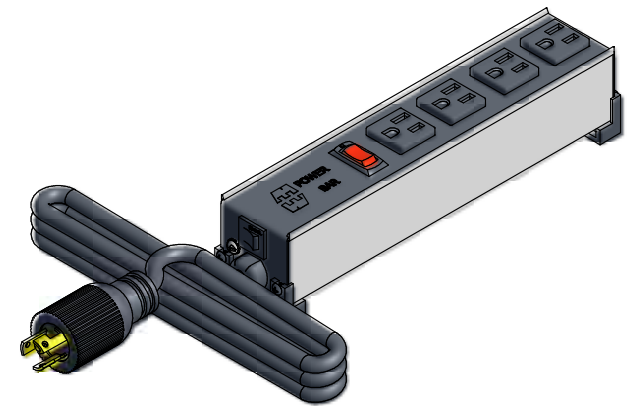
ASSEMBLY - VIEW FROM TOP



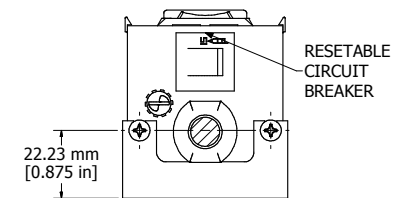
ASSEMBLY - VIEW FROM SIDE



ASSEMBLY - VIEW FROM BOTTOM



ISOMETRIC VIEW



SECTION A-A

1584H4**	
Finish - Top	- Black Painted Steel
Finish - Bottom	- Aluminum Extrusion
Rated	- 120 VAC, 60 Hz, 15 Amps
Approvals	- CSA Certified Standards C22.2 (No. 21-95, 42-99) - UL Listed, Standard UL1363
Cord Length	
1584H4C1	- 6' Foot Twist Power Cord (NEMA L5-15P)
1584H4D1	- 15' Foot Twist Power Cord (NEMA L5-15P)

