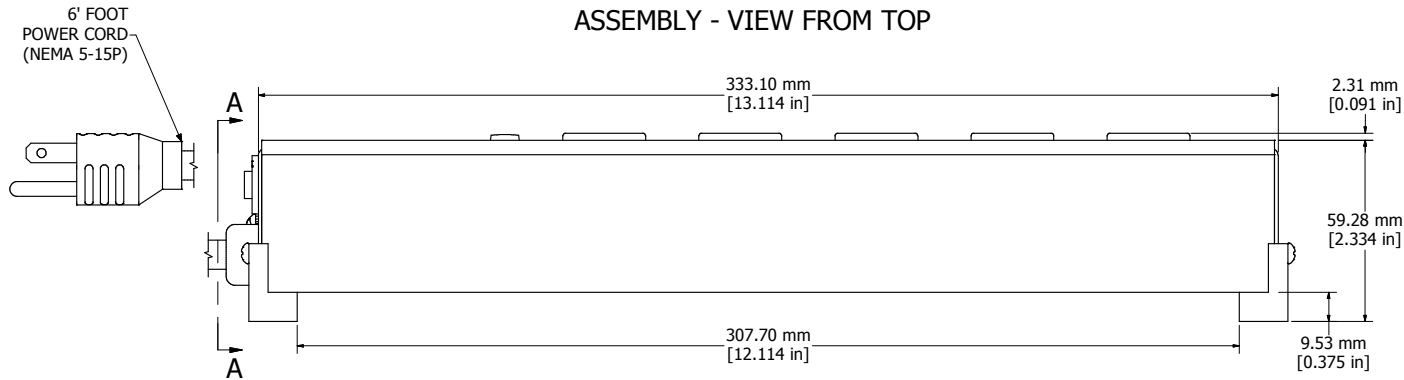
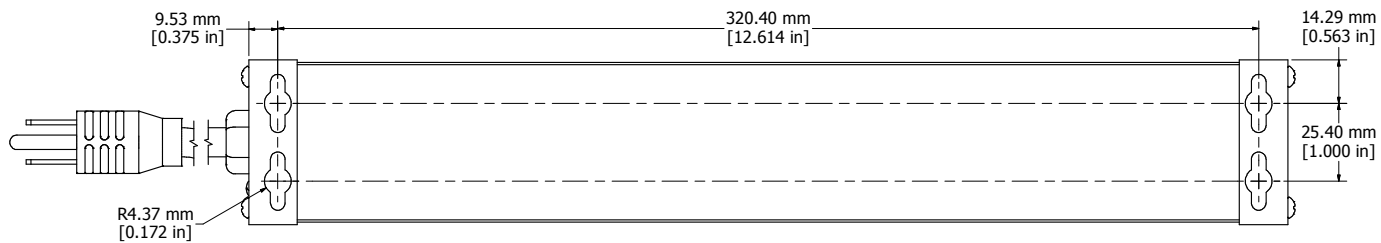


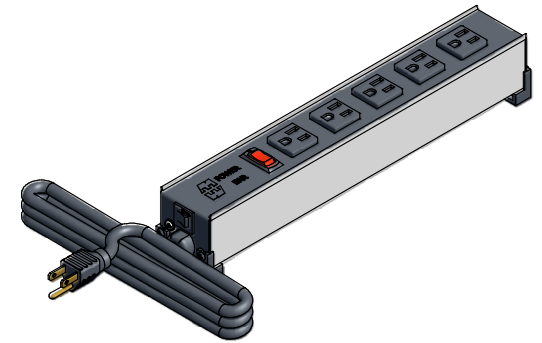
ASSEMBLY - VIEW FROM TOP



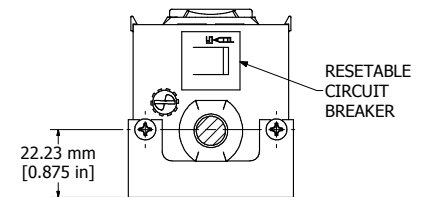
ASSEMBLY - VIEW FROM SIDE



ASSEMBLY - VIEW FROM BOTTOM



ISOMETRIC VIEW



SECTION A-A

1584H5**
Finish - Top - Black Painted Steel
Bottom - Aluminum Extrusion
Rated - 120 VAC, 60 Hz, 15 Amps
Approvals - CSA Certified Standards C22.2 (No. 21-95, 42-99) - UL Listed, Standard UL1363
Cord Length
1584H5A1 - 6' Foot Power Cord (NEMA 5-15P)
1584H5B1 - 15' Foot Power Cord (NEMA 5-15P)

**HAMMOND
MANUFACTURING™**

1584H5**

www.hammondmfg.com