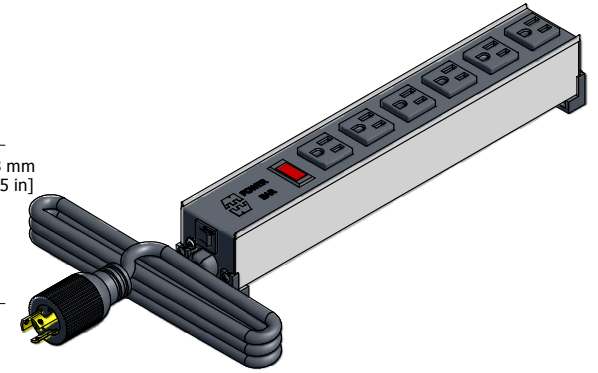
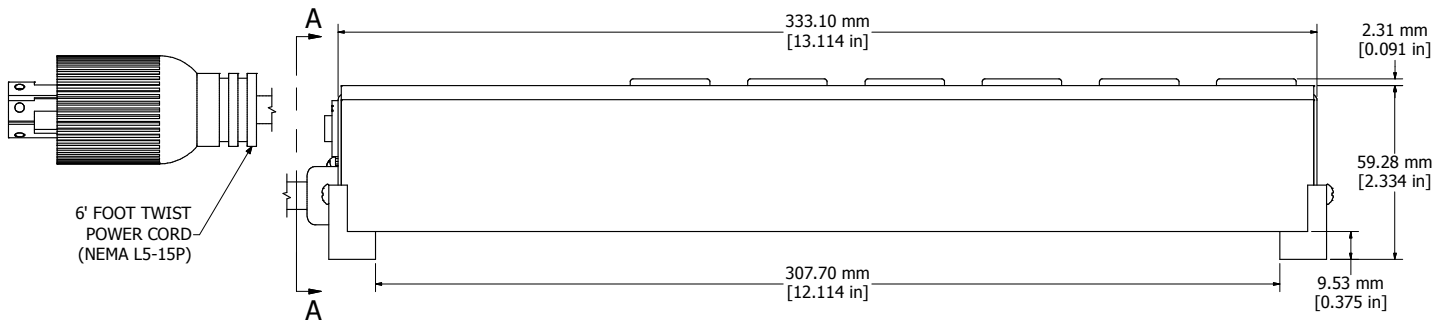


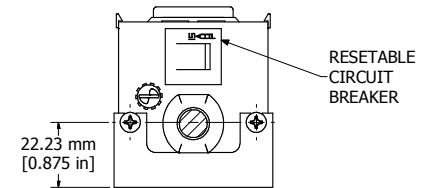
ASSEMBLY - VIEW FROM TOP



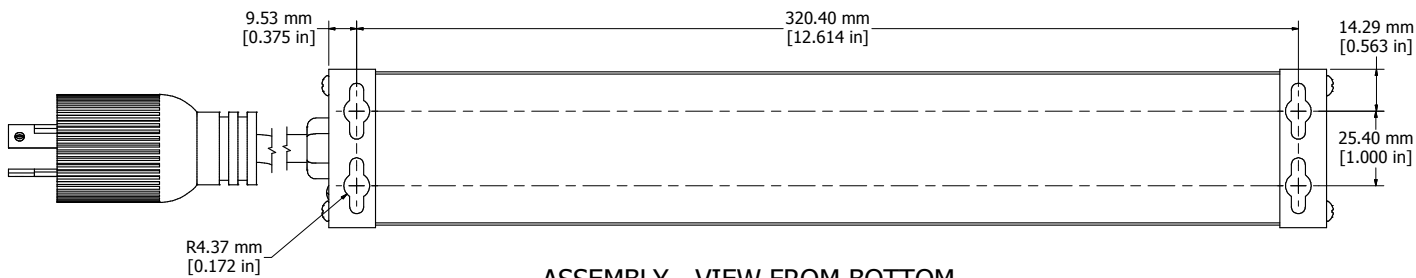
ISOMETRIC VIEW



ASSEMBLY - VIEW FROM SIDE



SECTION A-A



ASSEMBLY - VIEW FROM BOTTOM

1584T6**	
Finish - Top - Black Painted Steel	Bottom - Aluminum Extrusion
Rated - 120 VAC, 60 Hz, 15 Amps	
Approvals - CSA Certified Standards C22.2 (No. 21-95, 42-99) - UL Listed, Standard UL1363	
Cord Length	
1584T6C1 - 6' Foot Twist Power Cord (NEMA L5-15P)	
1584T6D1 - 15' Foot Twist Power Cord (NEMA L5-15P)	

