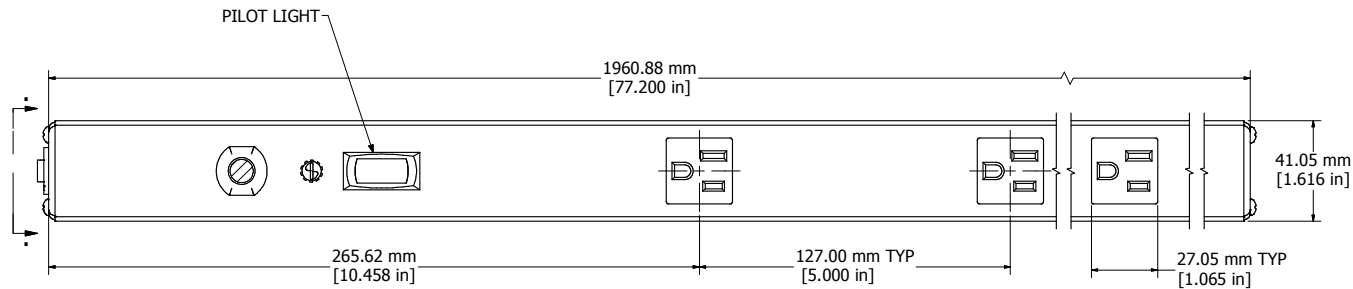
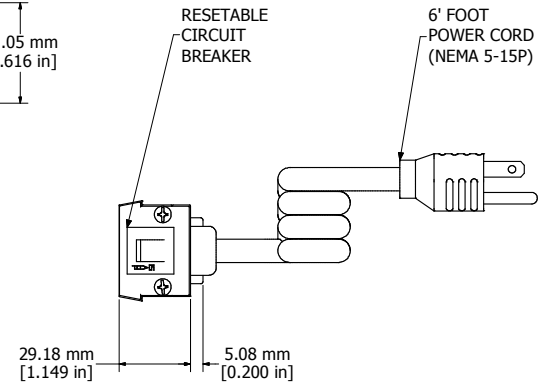


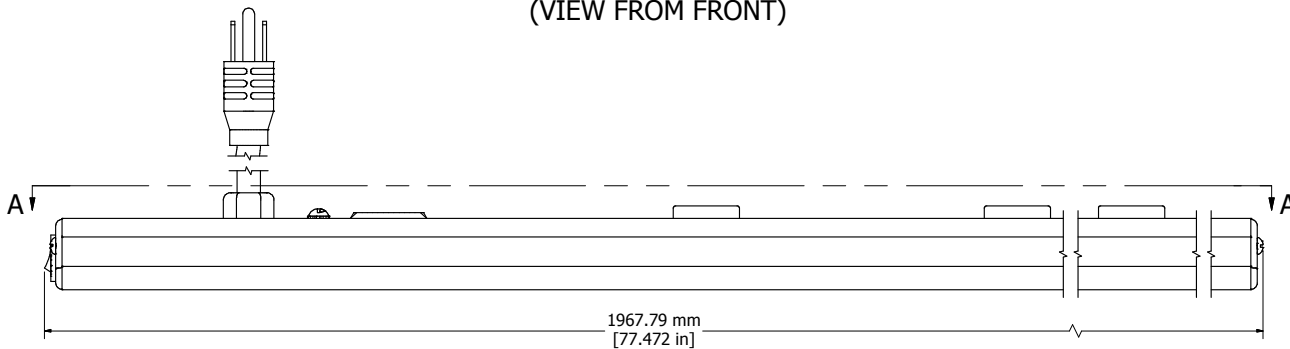
8 | 7 | 6 | 5 | 4 | 3 | 2 | 1



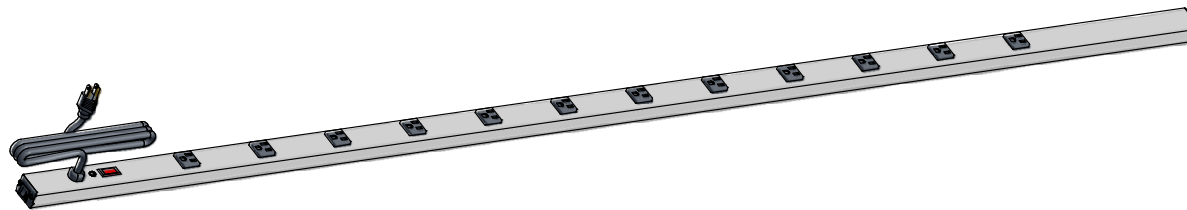
SECTION A-A  
(VIEW FROM FRONT)



ASSEMBLY - VIEW FROM END



ASSEMBLY - VIEW FROM SIDE



ISOMETRIC VIEW

<b>1588T12A1</b>
Finish - Case - Anodized Aluminum Extrusion
Ends - ABS Plastic
Rated - 125 VAC, 60 Hz, 15 Amps
Approvals - CSA Certified Standards C22.2 (No. 21-95, 42-99)
- UL Listed Standard UL1363
<b>Cord Length &amp; Colour</b>
1588T12A1 - 6' Foot Power Cord (NEMA 5-15P)
1588T12A1BK - Black w/ 6' Foot Power Cord (NEMA 5-15P)
1588T12B1 - 15' Foot Power Cord (NEMA 5-15P)
1588T12B1BK - Black w/ 15' Foot Power Cord (NEMA 5-15P)
<b>Accessories Included</b>
Mounting Bracket Kit with Hardware

**HAMMOND  
MANUFACTURING™**

**1588T12A1**

www.hammondmfg.com

8 | 7 | 6 | 5 | 4 | 3 | 2 | 1