

Type 1 Mild Steel Splitter Box *CSB Series*

Hinged Door with Screw



Application

- The splitter boxes are designed for indoor distribution of up to 600 V (max) service using either 3 or 4 wires.

Standards

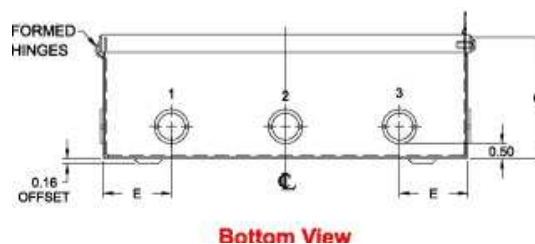
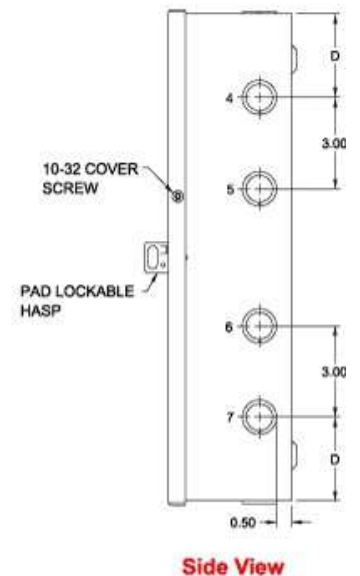
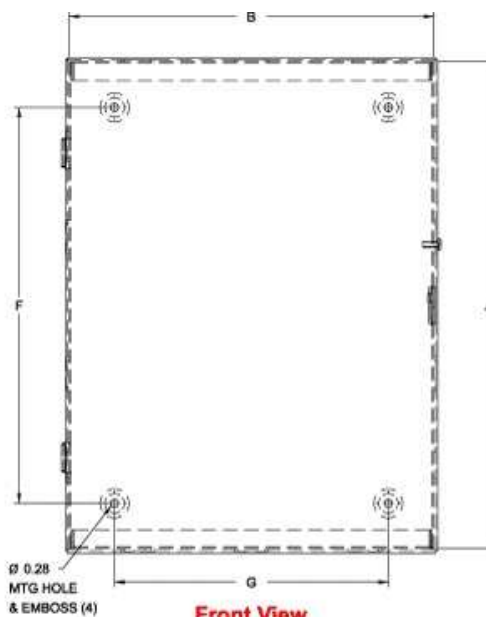
- CSA Type 1
- Complies with
 - IEC 60529, IP20

Construction

- Formed and spot welded from 14 or 16 gauge steel.
- Factory installed splitter blocks.
- Series of knockouts on each side.
- Padlocking hasp.

Finish

- Enclosure and cover are finished in ANSI 61 gray powder coating.



NOTE: KNOCKOUTS TYPICAL ON OPPOSITE SIDES

3 Wire	Part No.		CU/AL Amps	Dimensions			Ship Wt. lbs
	4 Wire	Less Blocks		H	W	D	
CSB73	CSB74	CSB70	70/70	12.00	10.00	4.00	9
CSB103	CSB104	CSB100	125/120	15.00	10.00	4.00	10
CSB203	CSB204	CSB200	225/225	18.00	12.00	5.00	16
CSB403	CSB404	CSB400	400/340	24.00	17.00	6.00	37
CSB603*	CSB604*	CSB600*	600/574	30.00	24.00	7.00	63

* 14 gauge steel

Data subject to change without notice.

© 2012. Hammond Manufacturing Ltd. All rights reserved.