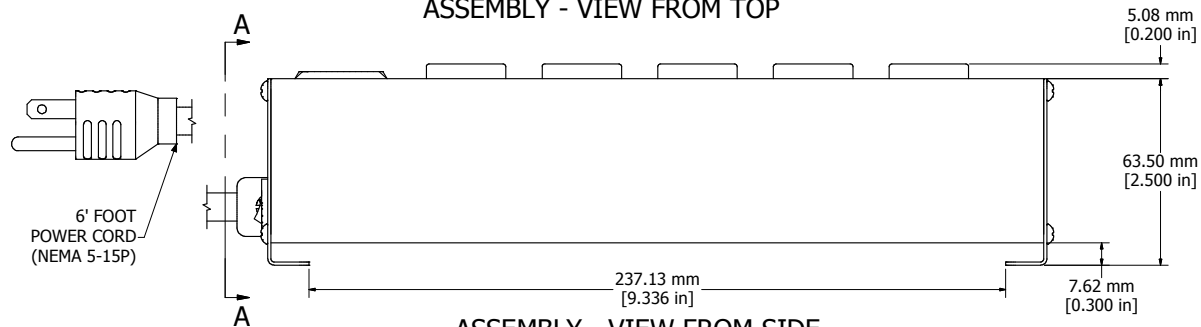
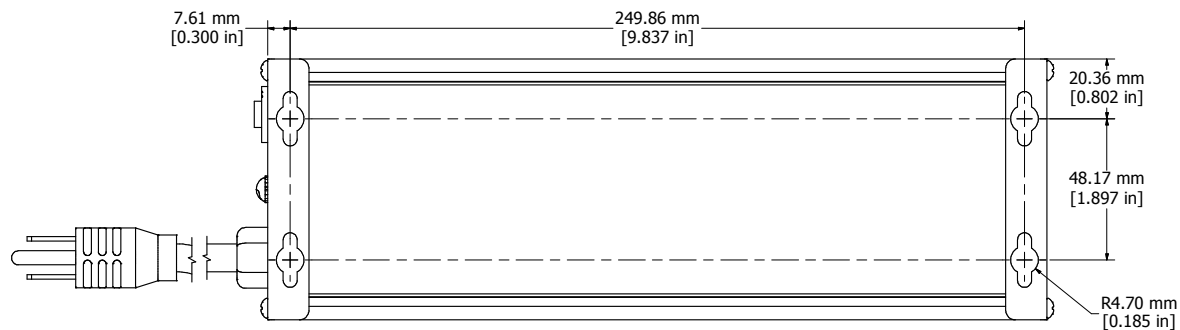


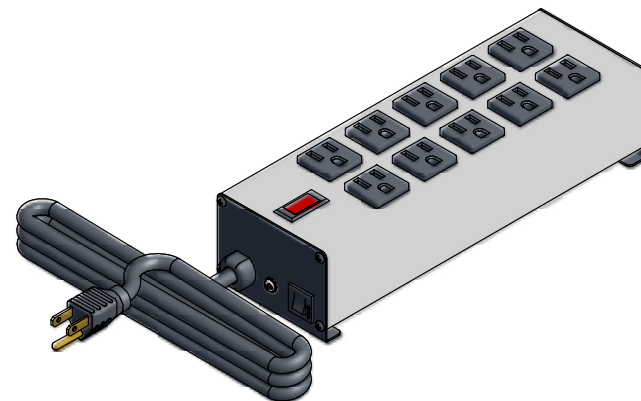
ASSEMBLY - VIEW FROM TOP



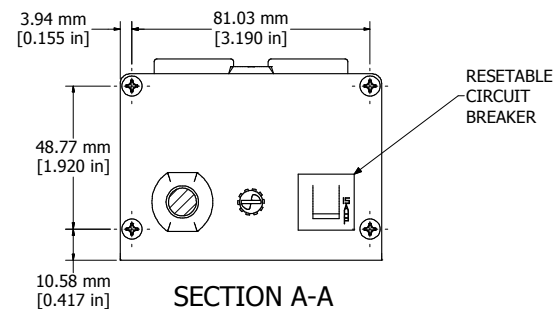
ASSEMBLY - VIEW FROM SIDE



ASSEMBLY - VIEW FROM BOTTOM



ISOMETRIC VIEW



1580T10**	
Finish - Sides - Black Painted Steel	
Case - Aluminum Extrusion	
Rated - 120 VAC, 60 Hz, 15 Amps	
Approvals - CSA Certified Standards C22.2 (No. 21-95, 42-99)	
- UL Listed, Standard UL1363	
Cord Length	
1580T10A1	- 6' Foot Power Cord (NEMA 5-15P)
1580T10B1	- 15' Foot Power Cord (NEMA 5-15P)

