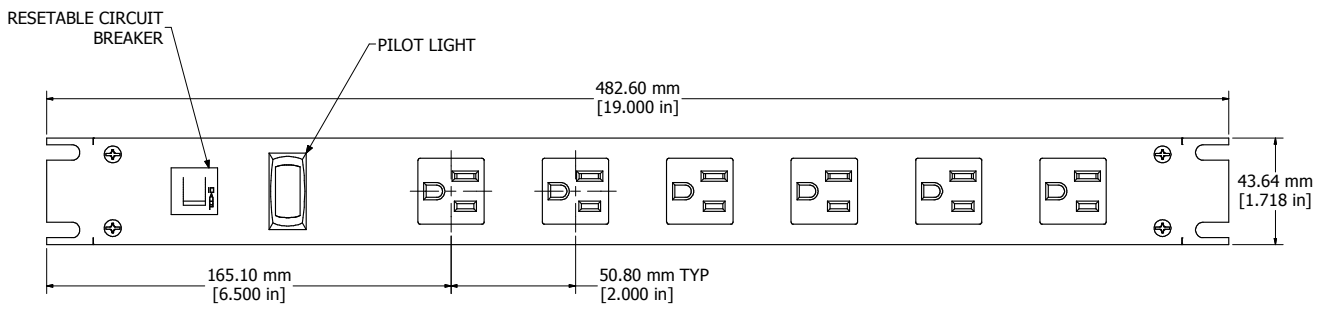
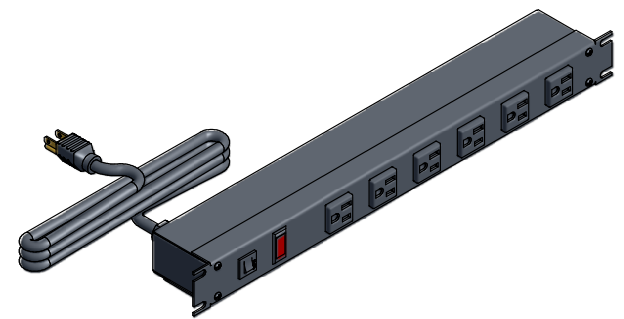


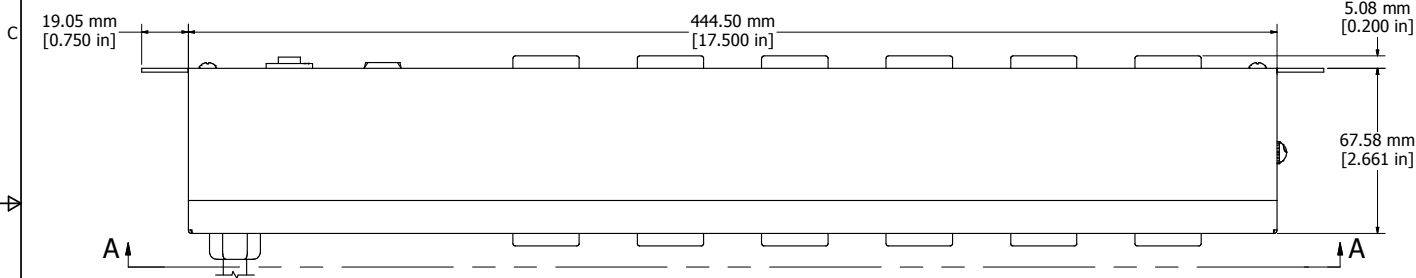
8 | 7 | 6 | 5 | 4 | 3 | 2 | 1



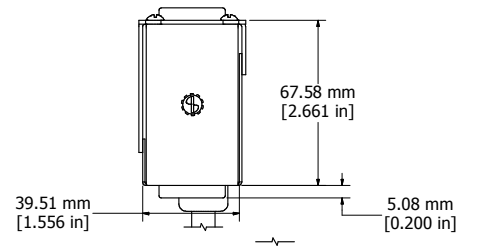
ASSEMBLY - VIEW FROM FRONT



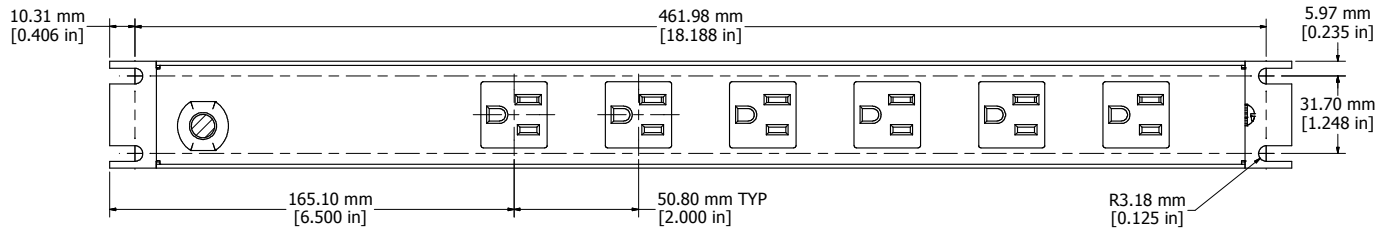
ISOMETRIC VIEW



ASSEMBLY - VIEW FROM BOTTOM



ASSEMBLY - VIEW FROM SIDE



SECTION A-A

<b>1583T12A1BKX</b>
Finish - Front - Black Painted Steel
Back - Black Painted Steel
Rated - 125 VAC, 60 Hz, 15 Amps
Approvals - CSA Certified Standards C22.2 (No. 21-95, 42-99)
- UL Recognized Standard UL1363
<b>Cord Length</b>
1583T12A1BKX - 6' Foot Power Cord (NEMA 5-15P)
1583T12B1BKX - 15' Foot Power Cord (NEMA 5-15P)

**HAMMOND MANUFACTURING™**

**1583T12A1BKX**

www.hammondmfg.com

8 | 7 | 6 | 5 | 4 | 3 | 2 | 1