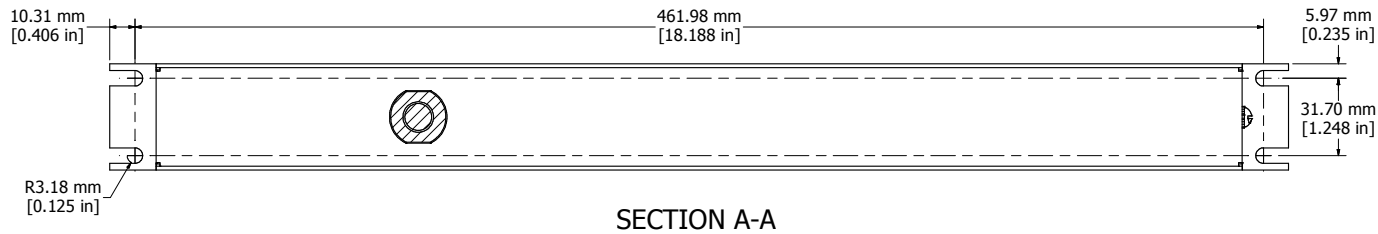
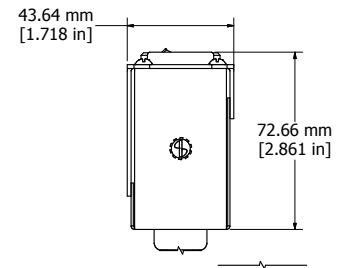
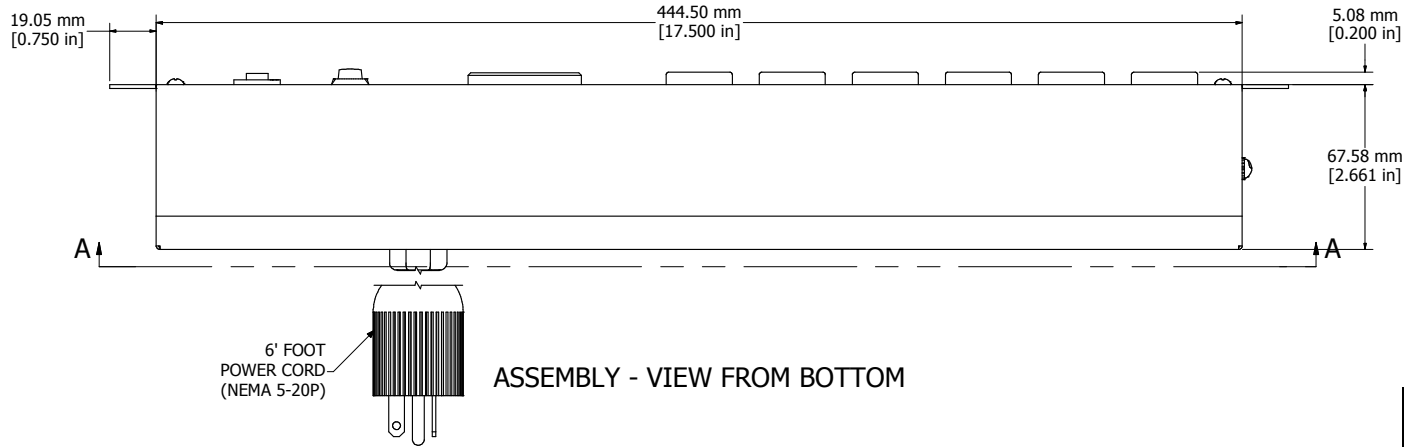
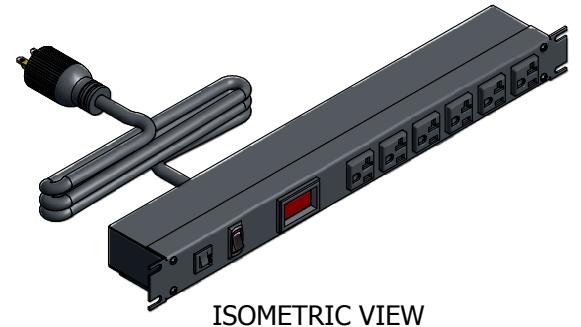
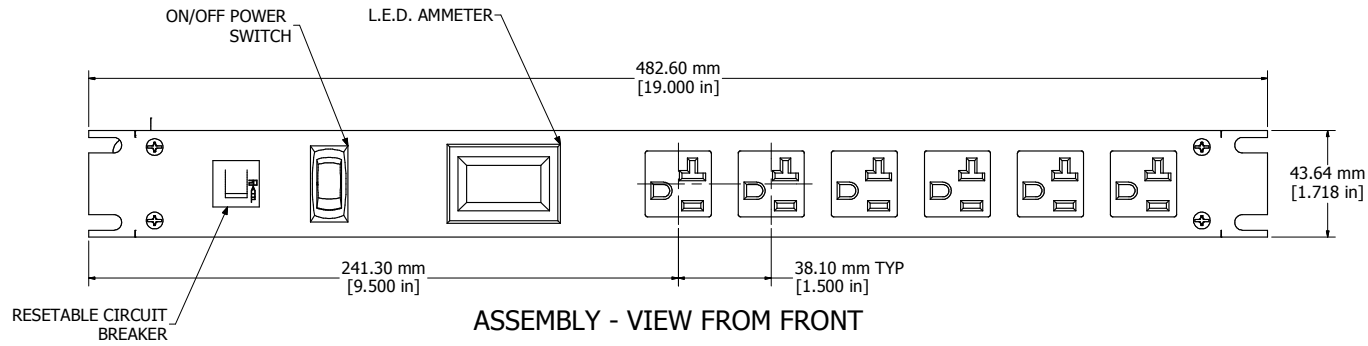




8 | 7 | 6 | 5 | 4 | 3 | 2 | 1



1589H6F1BKRFAM	
Finish - Front - Black Painted Steel	
Back - Black Painted Steel	
Rated - 125 VAC, 60 Hz, 20 Amps	
Approvals - CSA Certified Standards C22.2 (No. 21-95, 42-99)	
- UL Recognized Standard UL1363	
Cord Length	
1589H6F1BKRFAM - 6' Foot Power Cord (NEMA 5-20P)	
	HAMMOND MANUFACTURING™
	1589H6F1BKRFAM
www.hammondmfg.com	

8 | 7 | 6 | 5 | 4 | 3 | 2 | 1