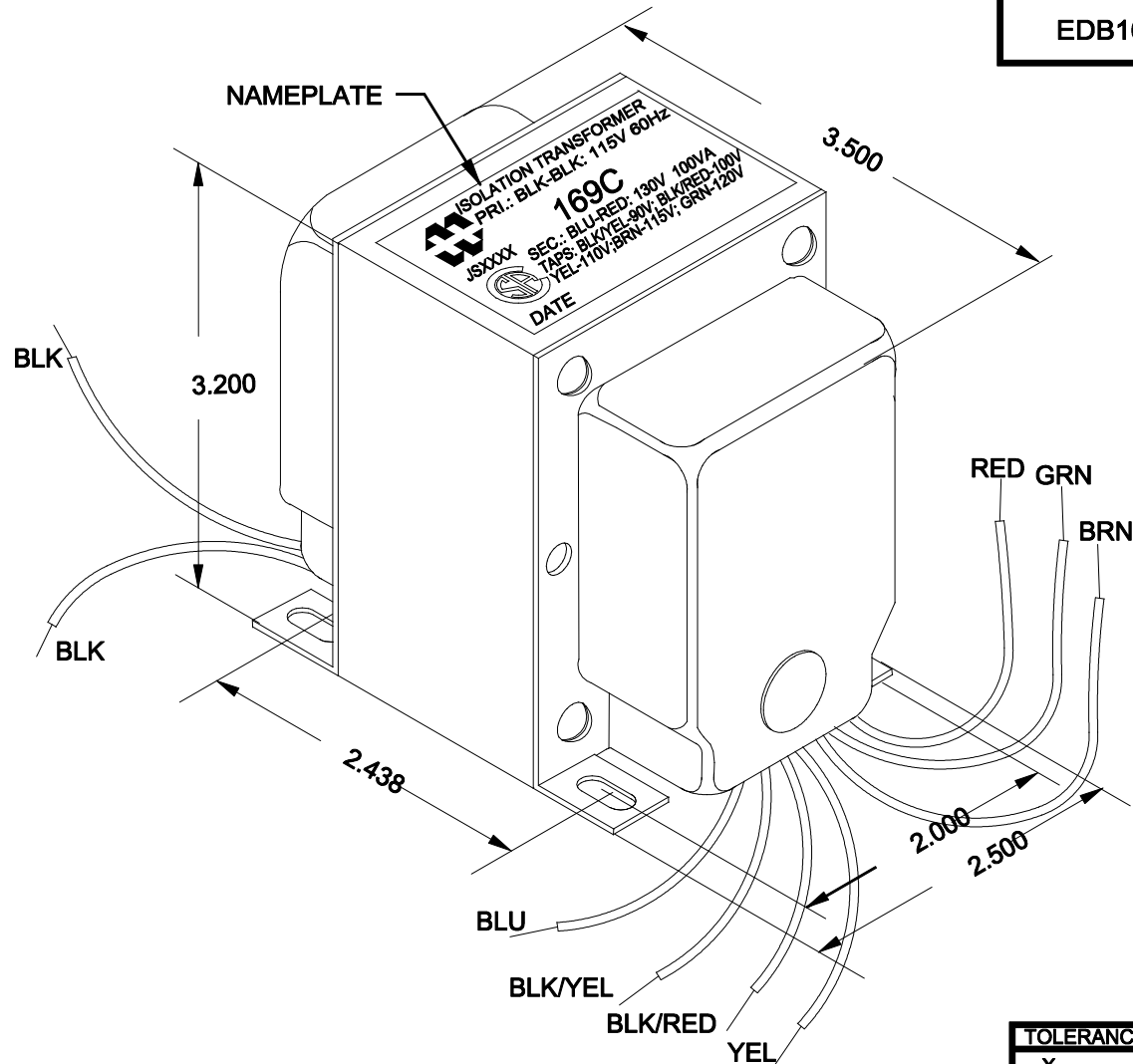
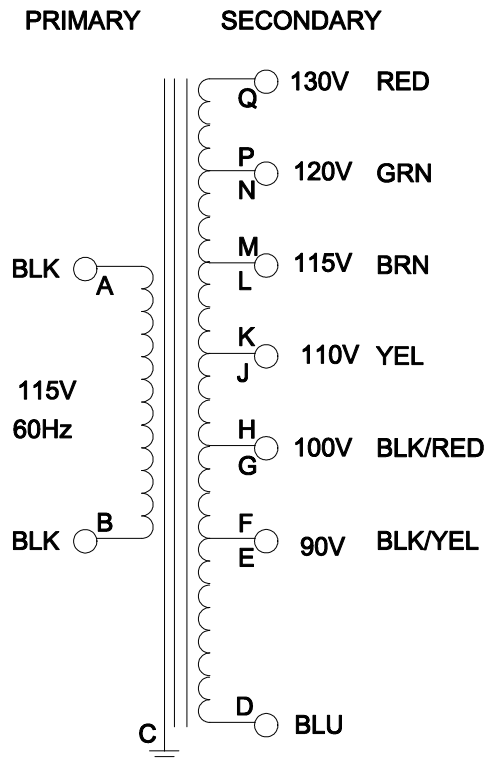


EDB169C



NOTE: ALL LEADS 8" OUT MIN., STRIPPED .25"

| TOLERANCES STD. |         |
|-----------------|---------|
| .X              | ==+.1   |
| .XX             | ==+.06  |
| .XXX            | ==+.02  |
| .XXXX           | ==+.005 |
| ANGLES          | ==+0.5D |

| REV.NO. | REVISION | DATE     | Hammond Electronics Waterloo, Ontario Canada |                          |                 |
|---------|----------|----------|--|--------------------------|-----------------|
| 0       | RELEASED | 09/15/09 | DWG. BY: I. POP                              | TITLE: POWER TRANSFORMER | DWG.NO. EDB169C |
|         |          |          | DATE: 09/15/09                               |                          | SH 1 OF 1       |
|         |          |          | CHK'D BY:                                    |                          |                 |
|         |          |          | APP'D. BY:                                   |                          |                 |