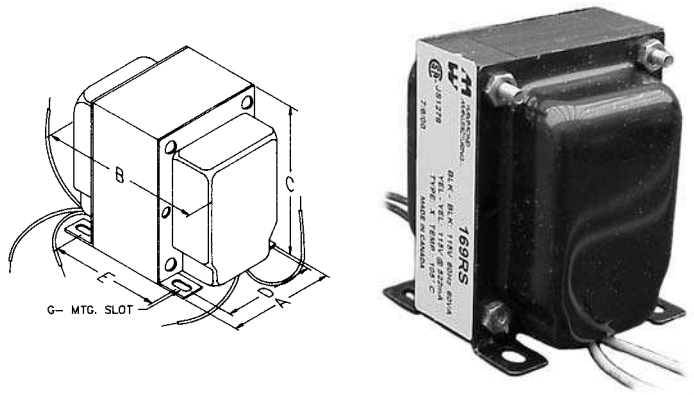


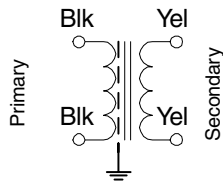
# Straight Isolation - Hard Wired (169 Series)

## LINE ISOLATION TRANSFORMERS (115V to 115V)

- Primary 115VAC, 60 Hz., Secondary 115VAC
- Electrostatic shield between primary & secondary
- Connection by flexible leads, 8" minimum length
- Perfect for circuit isolation or "Classic" bias power supply
- CSA certified (# LR3902)
- **Remember** - These units do NOT convert line frequency



### Transformer Schematic

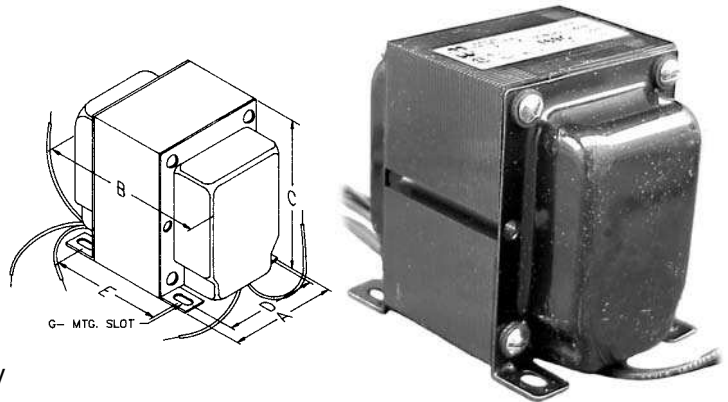


| Part No.     | Capacity |                 | Dimensions (Inches) |      |      |      |      | Wt. Lbs. |
|--------------|----------|-----------------|---------------------|------|------|------|------|----------|
|              | VA       | Sec. Current ma | A                   | B    | C    | D    | E    |          |
| <b>169PS</b> | 15       | 130             | 1.88                | 2.07 | 2.50 | 1.50 | 1.19 | 1.3      |
| <b>169QS</b> | 40       | 260             | 2.19                | 2.50 | 2.63 | 1.75 | 1.44 | 2.5      |
| <b>169RS</b> | 60       | 435             | 2.50                | 2.75 | 3.06 | 2.00 | 1.69 | 3.3      |
| <b>169SS</b> | 90       | 650             | 2.50                | 3.25 | 3.06 | 2.00 | 2.19 | 4.5      |
| <b>169TS</b> | 135      | 870             | 3.13                | 3.50 | 3.81 | 2.50 | 2.19 | 6.5      |
| <b>169VS</b> | 175      | 1300            | 3.13                | 4.00 | 3.81 | 2.50 | 2.69 | 7        |
| <b>169WS</b> | 250      | 1700            | 3.75                | 4.00 | 4.56 | 3.00 | 2.81 | 12       |

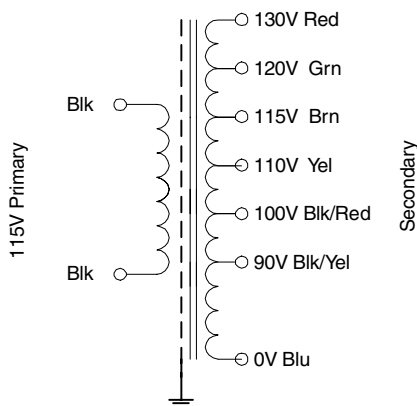
Line

## LINE ISOLATION - TAPPED TRANSFORMERS (115V to 90-130V)

- Primary 115VAC, 60 Hz.
- Secondary taps @ 90, 100, 110, 115, 120 & 130VAC
- Electrostatic shield between primary & secondary
- Connection by flexible leads, 8" minimum length
- Perfect for critical line voltage needs (ex. Japanese 100V equipment).
- CSA certified (# LR3902) - except 169J
- **Remember** - These units do NOT convert line frequency



### Transformer Schematic



| Part No.    | Capacity VA | Dimensions (Inches) |      |      |      |      | Wt. Lbs. |
|-------------|-------------|---------------------|------|------|------|------|----------|
|             |             | A                   | B    | C    | D    | E    |          |
| <b>169C</b> | 100         | 2.50                | 3.50 | 3.06 | 2.00 | 2.44 | 4        |
| <b>169E</b> | 250         | 3.75                | 4.00 | 4.56 | 3.00 | 2.81 | 7        |
| <b>169G</b> | 500         | 6.75                | 5.50 | 4.56 | 3.00 | 4.31 | 15       |
| <b>169J</b> | 750         | 4.38                | 6.13 | 5.25 | 3.50 | 4.50 | 22       |



**EUROPE**  
Basingstoke, UK 01256 812812

**AUSTRALIA**  
Queenstown, Australia 61-8-8240-2244

[www.hammondmfg.com](http://www.hammondmfg.com)



**CANADA**  
Guelph, Ontario (519) 822-2960  
St. Laurent, Quebec (514) 343-9010  
**USA**  
Cheektowaga, NY (716) 630-7030

