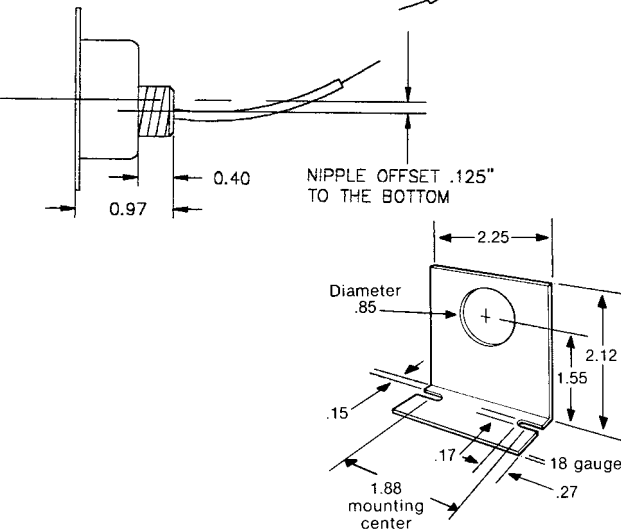
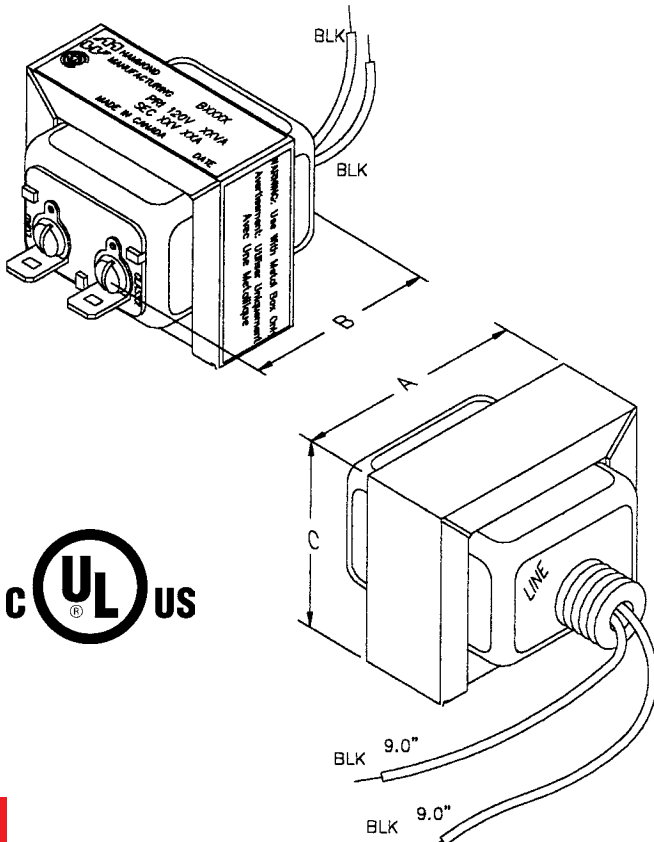


Energy Limiting (BA-BE Series)



CLASS 2 ENERGY LIMITING TRANSFORMERS

- Used in chimes, door bells, security systems, decorative lighting, furnaces, humidifiers, appliances, vending machines, intercom system type applications.
- Rugged, low noise, cool running design, indoor use only.
- Stripped wire input (primary) leads, screw terminal/quick fit tab terminal output (secondary).
- Nipple locknut mount for box installation, complete with locknut and mounting bracket (as shown below).
- Input leads are black, on 240V models 240V lead is red. All models are 60 Hz. - inherently limited - no fuses or circuit breakers.
- C UL & UL listed #E184371 - EXCEPT for part numbers BE2F & BE7G.
- CSA certified (#LR 3902 Class 2) energy limiting transformer. Complies with CSA standard C22.2 #66 part B

120 Volt Primary

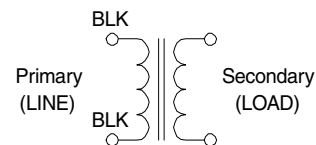
Part No.	A.C. Input (Primary) V (RMS)	A.C. Output Secondary (RMS)		Power Rating VA	Note	Dimensions (Inches)		
		V	A			A	B	C
BA2DA	120	10	0.5	5	*	2.33	2.22	1.98
BC2DA	120	10	1.2	12	*	2.33	2.22	1.98
BC2F	120	16	0.75	12	*	2.33	2.22	1.98
BC2G	120	24	0.5	12	*	2.33	2.22	1.98
BD2E	120	12	1.67	20	*	2.33	2.34	1.98
BD2EE	120	14	1.43	20	*	2.33	2.34	1.98
BD2F	120	16	1.25	20	*	2.33	2.34	1.98
BD2FF	120	18	1.11	20	*	2.33	2.34	1.98
BD2G	120	24	0.833	20	*	2.33	2.34	1.98
BE2F	120	16.5	2.42	40	*	2.33	2.60	1.98
BE2G	120	24	1.67	40	*	2.33	2.60	1.98

Notes: * 105 degree temperature design

Other Primary Voltages

Part No.	A.C. Input (Primary) V (RMS)	A.C. Output Secondary (RMS)		Power Rating VA	Note	Dimensions (Inches)		
		V	A			A	B	C
BD5F	240	16	1.25	20	*	2.33	2.34	1.98
BD5G	240	24	0.83	20	*	2.33	2.34	1.98
BE5G	240	24	1.67	40	*	2.33	2.60	1.98
BE5DG	208/240	24	1.67	40	*	2.33	2.60	1.98
BE7G	347	24	1.67	40	-	2.33	2.60	1.98

Notes: * 105 degree temperature design



Class 2



CANADA
Guelph, Ontario (519) 822-2960
St. Laurent, Quebec (514) 343-9010
USA
Cheektowaga, NY (716) 630-7030

www.hammondmfg.com



EUROPE
Basingstoke, UK 01256 812812

AUSTRALIA
Queenstown, Australia 61-8-8240-2244