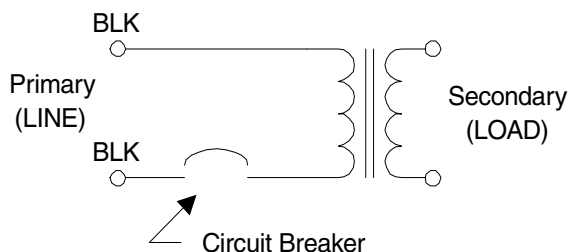


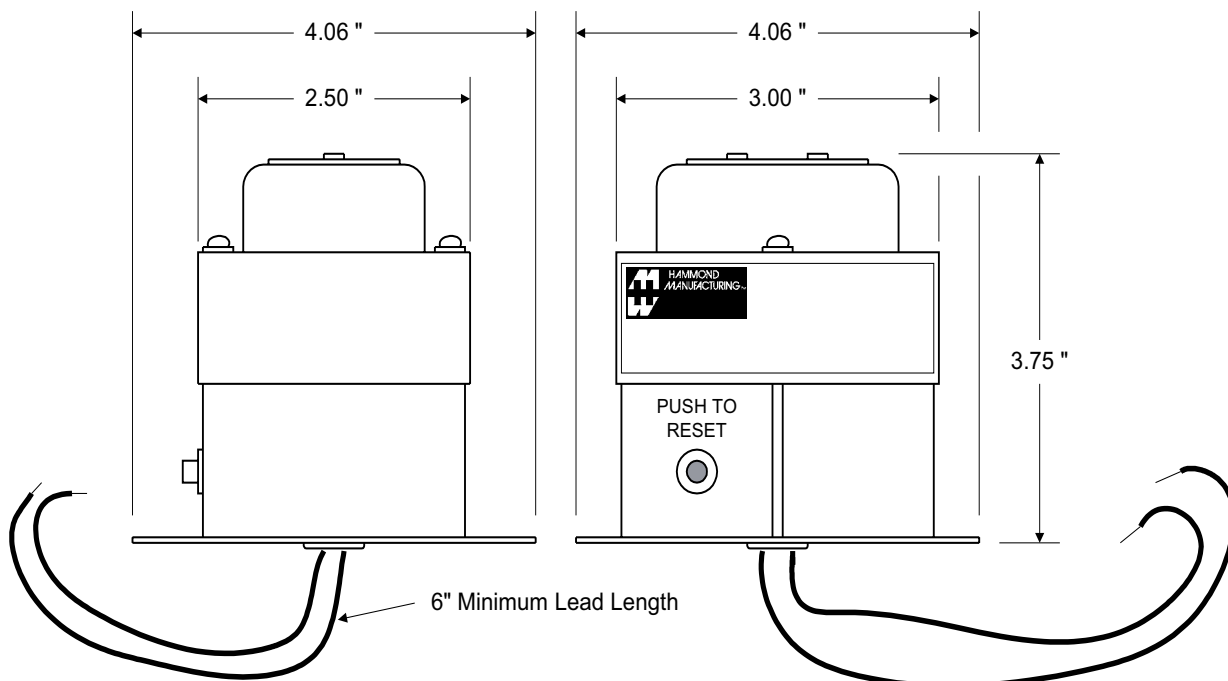
75 VA - CLASS 2 ENERGY LIMITING TRANSFORMERS



- Used in chimes, door bells, security systems, decorative lighting, furnaces, humidifiers, appliances, vending machines, intercom system type applications.
- Rugged, low noise design, indoor use only.
- Stripped wire input (primary) leads, screw terminal output (secondary).
- Mounted on box plate for easy installation.
- Input leads are black 6" minimum, on 240V models 240V lead is red.
- All models are 60 Hz. - limited by built in circuit breaker.
- 16 VAC secondary units are C UL & UL listed
- The 24 VAC secondary units are CSA certified (#LR 3902 Class 2) energy limiting transformer (complies with CSA standard C22.2 #66 part B).



| Part No. | A.C. Input (Primary) V (RMS) | A.C. Output Secondary (RMS) | | Power Rating VA | Dimensions (Inches) | | |
|-------------|------------------------------|-----------------------------|------|-----------------|---------------------|------|------|
| | | V | A | | A | B | C |
| BF2F | 120 | 16 | 4.68 | 75 | 3.00 | 2.50 | 3.75 |
| BF5F | 240 | 16 | 4.68 | 75 | 3.00 | 2.50 | 3.75 |
| BF2G | 120 | 24 | 3.13 | 75 | 3.00 | 2.50 | 3.75 |
| BF5G | 240 | 24 | 3.13 | 75 | 3.00 | 2.50 | 3.75 |



Class 2

EUROPE

Basingstoke, UK 01256 812812

AUSTRALIA

Queenstown, Australia 61-8-8240-2244

www.hammondmfg.com



CANADA

Guelph, Ontario (519) 822-2960
St. Laurent, Quebec (514) 343-9010

USA

Cheektowaga, NY (716) 630-7030

