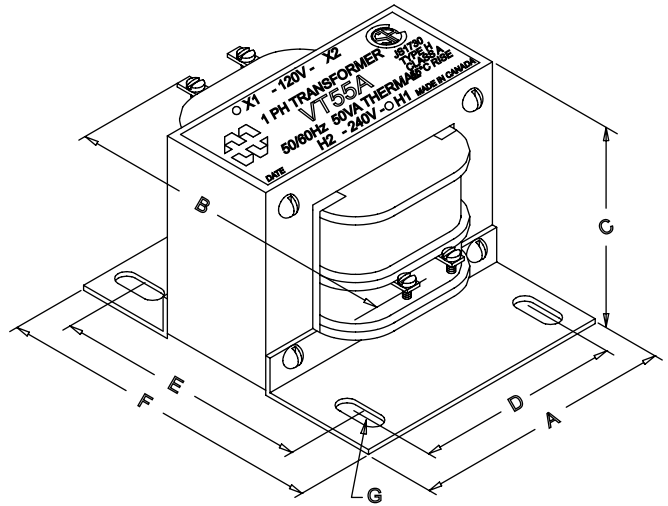


Potential Transformers (HX, PT & VT Series)



POTENTIAL TRANSFORMERS

- Used (with 150 Volt full scale A.C. voltmeters) to measure the voltage of 240, 480 or 600 VAC systems.
- Primary insulated for 4.0 KV rms test, suitable for L.V. switchgear and motor control use.
- 50/60 Hz. operation.
- Open construction - "Type H" - Insulation system 55 degree C rise, Class 105.
- CSA certified LR3902 or LR38216.
- The nominal line voltages of 240 and 480 volts may be exceeded by 25% for 60 Hz. operation.

Part No.	Nominal Line Voltage	Ratio Pri. / Sec.	Accuracy %	VA	Thermal Rating	Overall Dimensions (Inches)			Mounting Centers (Inches)		Mtg. Slot (Inches)		Ship Wt. Lb.
						A	B	C	D	E	G	H	
VT55A	240	240:120	1.2	0-8	50	3.00	3.25	2.56	2.50	2.50	.22	.44	3.0
HX54A	240	240:120	1.2	0-20	100	3.75	4.00	3.13	3.13	3.13	.22	.44	6.6
VT57A	480	480:120	1.2	0-8	50	3.00	3.25	2.56	2.50	2.50	.22	.44	3.0
HX74A	480	480:120	1.2	0-20	100	3.75	4.00	3.13	3.13	3.13	.22	.44	6.6
VT59A	600	600:120	1.2	0-8	50	3.00	3.25	2.56	2.50	2.50	.22	.44	3.0
HX94A	600	600:120	1.2	0-20	100	3.75	4.00	3.13	3.13	3.13	.22	.44	6.6

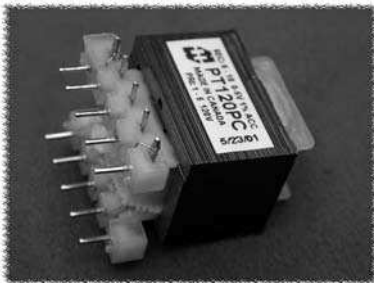


LOW VOLTAGE PT



- Used to measure the voltage of 120 VAC systems with 5 Volt full scale A.C. voltmeters.
- 50/60 Hz. operation.
- Choice of chassis mount or P.C. board pin mount.
- High accuracy windings (1%).

Part No.	Overall Dimensions (Inches)			Mtg. Hole (Inches)	Ship Wt. oz.
	H	D	W		
PT120CF	1.25	1.10	2.063	0.187	3.4
PT120PC	1.40	1.08	1.03	n/a	2.1



Instrument



CANADA
Guelph, Ontario (519) 822-2960
St. Laurent, Quebec (514) 343-9010
USA
Cheektowaga, NY (716) 630-7030

www.hammondmfg.com



EUROPE
Basingstoke, UK 01256 812812

AUSTRALIA
Queenstown, Australia 61-8-8240-2244