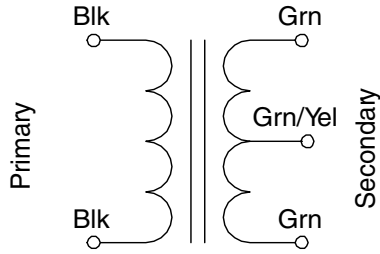


Filament & L.V. Rectifier Use (165 Series)

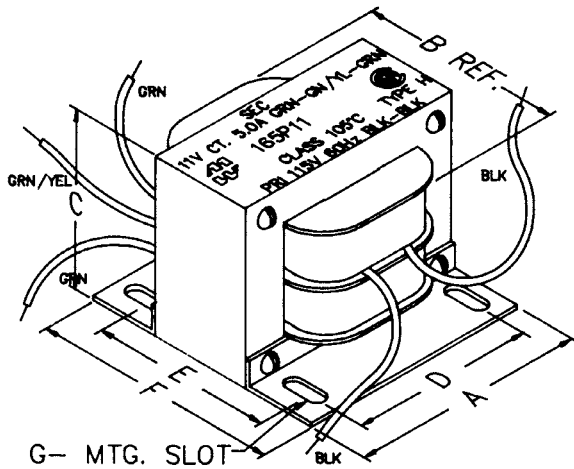
Power

Transformer Schematic



HIGH CURRENT - OPEN FRAME FILAMENT & L.V. RECTIFIER USE TRANSFORMERS

- Primary 115 VAC, 60 Hz.
- All secondaries center tapped, VAC (RMS)
- Open style, 4 hole frame chassis mount.
- Minimum 6" long leads or copper tabs with holes.
- Dual bobbin design - no electrostatic shield required.
- Class B insulation (130 degrees, C).
- Hi-Pot test of 2,000V RMS.
- UL listed (# E50394) & CSA certified (# LR3902)



Primary 115 VAC 60 Hz.

Part No.	VA	Secondary (R.M.S.)		Dim. Ref.
		VAC	Amps	
165Z3	150	3.0 C.T.	50	H10
165X5	150	5.0 C.T.	30	H9
165V7	157.5	7.5 C.T.	21	H9
165V10	200	10.0 C.T.	20	H10
165U11	165	11.0 C.T.	15	H9
165S12	126	12.6 C.T.	10	H7
165V12	252	12.6 C.T.	20	H12
165S18	180	18.0 C.T.	10	H10
165U18	270	18.0 C.T.	15	H16
165V18	360	18.0 C.T.	20	H18
165T22	264	22.0 C.T.	12	H16
165V22	440	22.0 C.T.	20	H19
165P25	125	25.0 C.T.	5	H7
165S25	250	25.0 C.T.	10	H12
165P30	150	30.0 C.T.	5	H7
165S30	300	30.0 C.T.	10	H16
165P60	300	60.0 C.T.	5	H16
165N80	320	80.0 C.T.	4	H18

Dimension Table

Mtg. Style	Dimensions (Inches)						Mtg. Slot
	A	B	C	D	E	F	
H7	3.00	3.25	2.56	2.50	3.25	4.00	.22 x .56
H9	3.75	2.63	3.13	3.13	2.50	3.25	.22 x .56
H10	3.75	3.13	3.13	3.13	2.75	3.50	.22 x .56
H12	3.75	3.63	3.13	3.13	3.25	4.00	.22 x .56
H16	4.50	3.88	3.75	3.75	2.75	3.50	.28 x .56
H18	4.50	4.38	3.75	3.75	3.25	4.00	.28 x .56
H19	4.50	4.38	3.75	3.75	3.75	4.50	.28 x .56

EUROPE

Basingstoke, UK 01256 812812

AUSTRALIA

Queenstown, Australia 61-8-8240-2244

www.hammondmfg.com



CANADA

Guelph, Ontario (519) 822-2960
St. Laurent, Quebec (514) 343-9010

USA

Cheektowaga, NY (716) 630-7030

