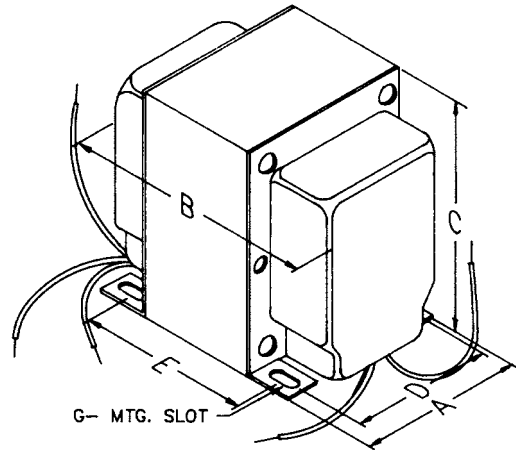


# Filament & L.V. Rectifier Use (167 Series)

Power



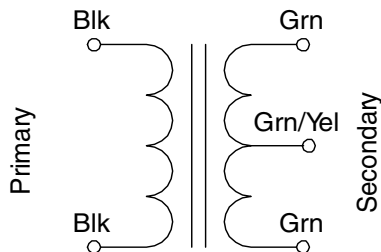
## ENCLOSED FILAMENT & L.V. RECTIFIER USE TRANSFORMERS

- Primary 115 VAC, 60 Hz.
- All secondaries center tapped, VAC (RMS)
- Enclosed, 4 hole chassis mount.
- Minimum 6" long leads.
- Dual bobbin design - no electrostatic shield required.
- Class B insulation (130 degrees C).
- Hi-Pot test of 2,000V RMS.
- UL listed (# E50394) & CSA certified (# LR3902).

### Dimension Table

Mtg. Style	Dimensions (Inches)					G-Mtg. Slot
	A	B	C	D	E	
X1	1.88	2.19	2.50	1.50	1.31	.19 x .31
X2	1.88	2.44	2.50	1.50	1.56	.19 x .31
X3	2.19	2.38	2.63	1.75	1.31	.19 x .25
X4	2.19	2.50	2.63	1.75	1.44	.19 x .25
X5	2.19	2.63	2.63	1.75	1.56	.19 x .25
X6	2.50	2.75	3.06	2.00	1.69	.203 x .38
X7	2.50	3.00	3.06	2.00	1.94	.203 x .38
X8	2.50	3.25	3.06	2.00	2.19	.203 x .38
X9	2.50	3.75	3.06	2.00	2.69	.203 x .38
X10	3.13	3.50	3.81	2.50	2.19	.203 x .38
X11	3.13	3.75	3.81	2.50	2.44	.203 x .38
X13	3.75	4.00	4.56	3.00	2.81	.203 x .38
X14	3.75	4.50	4.56	3.00	3.31	.203 x .38
X15	3.75	5.00	4.56	3.00	3.81	.203 x .38
X16	3.75	5.50	4.56	3.00	4.31	.203 x .38

### Transformer Schematic



**CANADA**  
Guelph, Ontario (519) 822-2960  
St. Laurent, Quebec (514) 343-9010  
**USA**  
Cheektowaga, NY (716) 630-7030

[www.hammondmfg.com](http://www.hammondmfg.com)



**EUROPE**  
Basingstoke, UK 01256 812812

**AUSTRALIA**  
Queenstown, Australia 61-8-8240-2244

# Filament & L.V. Rectifier Use (167 Series)

Power

Primary 115 VAC 60 Hz.

Part No.	VA	Secondary (R.M.S.)		Dim Ref.
		VAC	Amps	
<b>167M5</b>	15	5 C.T.	3	X1
<b>167Q5</b>	30	5 C.T.	6	X2
<b>167R5</b>	40	5 C.T.	8	X4
<b>167S5</b>	50	5 C.T.	10	X5
<b>167U5</b>	75	5 C.T.	15	X6
<b>167V5</b>	100	5 C.T.	20	X8
<b>167X5</b>	150	5 C.T.	30	X10
<b>167N6</b>	25.2	6.3 C.T.	4	X2
<b>167Q6</b>	37.8	6.3 C.T.	6	X3
<b>167R6</b>	50.4	6.3 C.T.	8	X5
<b>167S6</b>	63	6.3 C.T.	10	X6
<b>167T6</b>	75.6	6.3 C.T.	12	X6
<b>167U6</b>	100.8	6.3 C.T.	16	X8
<b>167U7</b>	112.5	7.5 C.T.	15	X8
<b>167V7</b>	157.5	7.5 C.T.	21	X10
<b>167N10</b>	40	10 C.T.	4	X4
<b>167P10</b>	50	10 C.T.	5	X5
<b>167R10</b>	80	10 C.T.	8	X7
<b>167S10</b>	100	10 C.T.	10	X8
<b>167P11</b>	55	11 C.T.	5	X6
<b>167S11</b>	110	11 C.T.	10	X8
<b>167U11</b>	165	11 C.T.	15	X10
<b>167L12</b>	31.5	12.6 C.T.	2.5	X2
<b>167N12</b>	50.4	12.6 C.T.	4	X5
<b>167Q12</b>	75.6	12.6 C.T.	6	X6
<b>167R12</b>	100.8	12.6 C.T.	8	X8
<b>167S12</b>	126	12.6 C.T.	10	X9
<b>167V12</b>	252	12.6 C.T.	20	X13
<b>167N14</b>	56	14 C.T.	4	X6
<b>167Q14</b>	84	14 C.T.	6	X7
<b>167M16</b>	48	16 C.T.	3	X5
<b>167P16</b>	80	16 C.T.	5	X7
<b>167M18</b>	54	18 C.T.	3	X6
<b>167P18</b>	90	18 C.T.	5	X7
<b>167S18</b>	180	18 C.T.	10	X11
<b>167U18</b>	270	18 C.T.	15	X13
<b>167V18</b>	360	18 C.T.	20	X14
<b>167M20</b>	60	20 C.T.	3	X6
<b>167P20</b>	100	20 C.T.	5	X8
<b>167U20</b>	320	20 C.T.	16	X14
<b>167T22</b>	264	22 C.T.	12	X13
<b>167V22</b>	440	22 C.T.	20	X15
<b>167L24</b>	48	24 C.T.	2	X5

Primary 115 VAC 60 Hz.

Part No.	VA	Secondary (R.M.S.)		Dim Ref.
		VAC	Amps	
<b>167J25</b>	25	25 C.T.	1	X2
<b>167K25</b>	37.5	25 C.T.	1.5	X3
<b>167M25</b>	75	25 C.T.	3	X6
<b>167N25</b>	100	25 C.T.	4	X8
<b>167P25</b>	125	25 C.T.	5	X9
<b>167S25</b>	250	25 C.T.	10	X13
<b>167J28</b>	28	28 C.T.	1	X2
<b>167L28</b>	56	28 C.T.	2	X6
<b>167M28</b>	84	28 C.T.	3	X7
<b>167K30</b>	45	30 C.T.	1.5	X4
<b>167M30</b>	90	30 C.T.	3	X7
<b>167P30</b>	150	30 C.T.	5	X10
<b>167S30</b>	300	30 C.T.	10	X13
<b>167J33</b>	33	33 C.T.	1	X2
<b>167J36</b>	36	36 C.T.	1	X3
<b>167L36</b>	72	36 C.T.	2	X6
<b>167M36</b>	108	36 C.T.	3	X8
<b>167P36</b>	180	36 C.T.	5	X11
<b>167R36</b>	288	36 C.T.	8	X13
<b>167T36</b>	432	36 C.T.	12	X15
<b>167L44</b>	88	44 C.T.	2	X7
<b>167J50</b>	50	50 C.T.	1	X5
<b>167L50</b>	100	50 C.T.	2	X8
<b>167P50</b>	250	50 C.T.	5	X13
<b>167G55</b>	27.5	55 C.T.	0.5	X2
<b>167J55</b>	55	55 C.T.	1	X6
<b>167L55</b>	110	55 C.T.	2	X8
<b>167G60</b>	30	60 C.T.	0.5	X2
<b>167J60</b>	60	60 C.T.	1	X6
<b>167L60</b>	120	60 C.T.	2	X9
<b>167M60</b>	180	60 C.T.	3	X11
<b>167P60</b>	300	60 C.T.	5	X13
<b>167S64</b>	640	64 C.T.	10	X16
<b>167L70</b>	140	70 C.T.	2	X9
<b>167N70</b>	280	70 C.T.	4	X13
<b>167G80</b>	40	80 C.T.	0.5	X4
<b>167J80</b>	80	80 C.T.	1	X7
<b>167L80</b>	160	80 C.T.	2	X10
<b>167N80</b>	320	80 C.T.	4	X14
<b>167G100</b>	50	100 C.T.	0.5	X5
<b>167J100</b>	100	100 C.T.	1	X8
<b>167P100</b>	500	100 C.T.	5	X16
<b>167G120</b>	60	120 C.T.	0.5	X6
<b>167H200</b>	174	200 C.T.	0.87	X11

**EUROPE**

Basingstoke, UK 01256 812812

**AUSTRALIA**

Queenstown, Australia 61-8-8240-2244

[www.hammondmfg.com](http://www.hammondmfg.com)



**CANADA**

Guelph, Ontario (519) 822-2960  
St. Laurent, Quebec (514) 343-9010

**USA**

Cheektowaga, NY (716) 630-7030

