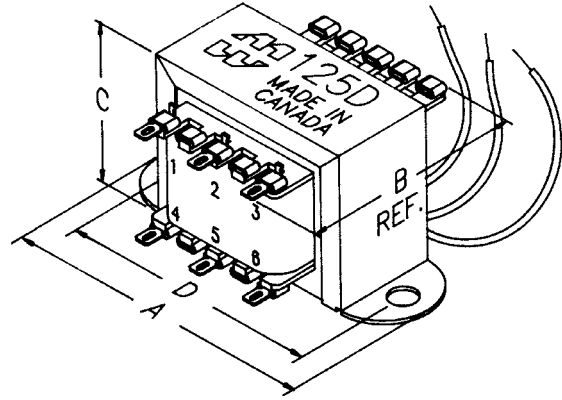
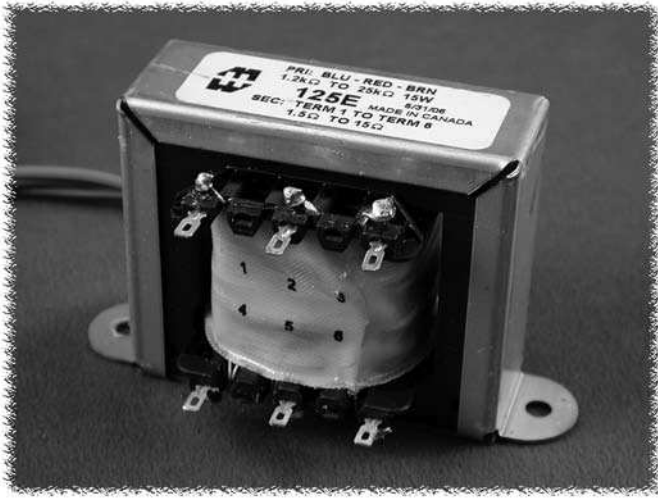


Push-Pull Output - General Purpose (125A-E Series)



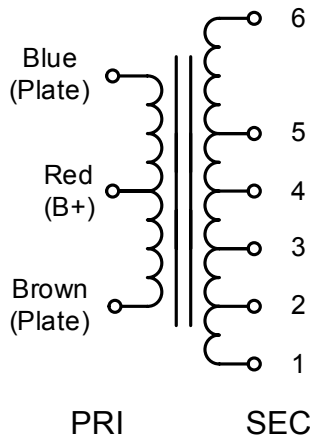
UNIVERSAL PUSH-PULL "CLASSIC" TUBE OUTPUT TRANSFORMERS

- Designed for general purpose or replacement use in push-pull tube output circuits.
- For single ended use, see our 125 SE series - optimized for single ended tube output circuits.
- Frequency response: 150 Hz. - 15 KHz (+/- 1db max. ref. 1 KHz)
- Open style with minimum 5" long primary leads, secondary solder lugs for convenient secondary connections.
- Tables provided with each transformer listing 90 pre-calculated impedance ratios.
- Primary impedances from 1,200 to 25,000 Ohms and secondary impedances from 1.5 to 15 Ohms (see chart below).

Tube Audio

| Part No. | Audio Watts | Max D.C. Bias (ma) | Primary Inductance Henrys | Dimensions (Inches) | | | | | Wt. Lbs. |
|----------|-------------|--------------------|---------------------------|---------------------|------|------|------|-------------|----------|
| | | | | A | B | C | D | G Mtg. Hole | |
| 125A | 3 | 25 | 14.94 | 2.06 | 1.25 | 1.19 | 1.75 | 0.187 | 0.19 |
| 125B | 5 | 45 | 8.97 | 2.38 | 1.38 | 1.38 | 2.00 | 0.187 | 0.3 |
| 125C | 8 | 60 | 5.60 | 2.81 | 1.50 | 1.69 | 2.38 | 0.187 | 0.5 |
| 125D | 10 | 70 | 4.48 | 3.25 | 1.75 | 2.00 | 2.81 | 0.187 | 1 |
| 125E | 15 | 80 | 2.99 | 3.69 | 2.00 | 2.31 | 3.13 | 0.187 | 1.5 |

Schematic & Hook Up Data



| Connect Speaker to (Sec. Lugs) | Voice Coil Impedance (Ohms) | | | | | | | |
|--------------------------------|---|-------|-------|-------|-------|-------|-------|-------|
| | 1.5 | 2 | 3.2 | 4 | 6 | 8 | 12 | 15 |
| | Resulting Total Primary Impedance (Blue Wire to Brown Wire) | | | | | | | |
| 1 & 2 | 27K | - | - | - | - | - | - | - |
| 2 & 3 | 18K | 24K | - | - | - | - | - | - |
| 3 & 4 | 16.5K | 22K | - | - | - | - | - | - |
| 4 & 5 | 10K | 13.5K | 21.6K | 27K | - | - | - | - |
| 5 & 6 | 8.5K | 11K | 18K | 22K | - | - | - | - |
| 1 & 3 | 5.4K | 7.2K | 11.5K | 15K | 21.6K | - | - | - |
| 2 & 4 | 4.2K | 5.6K | 9K | 11.2K | 16.8K | 22.5K | - | - |
| 3 & 5 | 3.3K | 4.4K | 7K | 8.8K | 13.2K | 17.6K | 26.4K | - |
| 4 & 6 | 2.4K | 3.2K | 5.1K | 6.4K | 9.6K | 12.8K | 19.2K | 24K |
| 1 & 4 | 2.15K | 2.9K | 4.6K | 5.8K | 8.7K | 11.6K | 17.4K | 21.5K |
| 2 & 5 | 1.55K | 2.05K | 3.3K | 4.1K | 6.15K | 8.2K | 12.3K | 15.5K |
| 3 & 6 | 1.3K | 1.7K | 2.7K | 3.4K | 5.1K | 6.8K | 10.2K | 12.8K |
| 1 & 5 | - | 1.4K | 2.2K | 2.8K | 4.2K | 5.6K | 8.4K | 10.2K |
| 2 & 6 | - | - | 1.7K | 2.1K | 3.15K | 4.2K | 6.3K | 8K |
| 1 & 6 | - | - | 1.2K | 1.5K | 2.3K | 3.0K | 4.5K | 5.6K |



CANADA
Guelph, Ontario (519) 822-2960
St. Laurent, Quebec (514) 343-9010
USA
Cheektowaga, NY (716) 630-7030

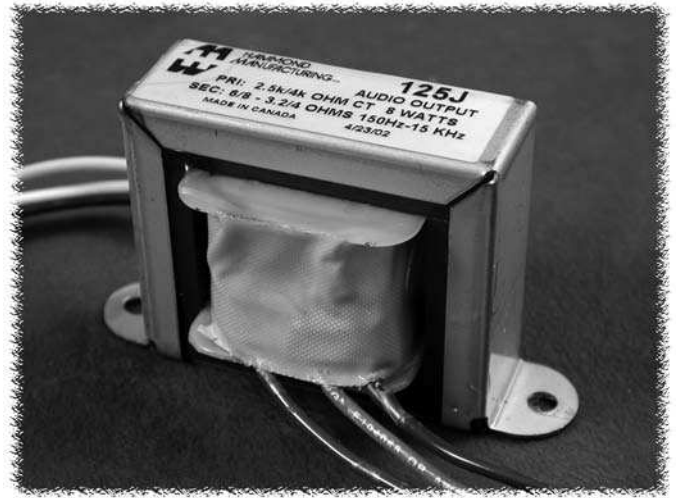
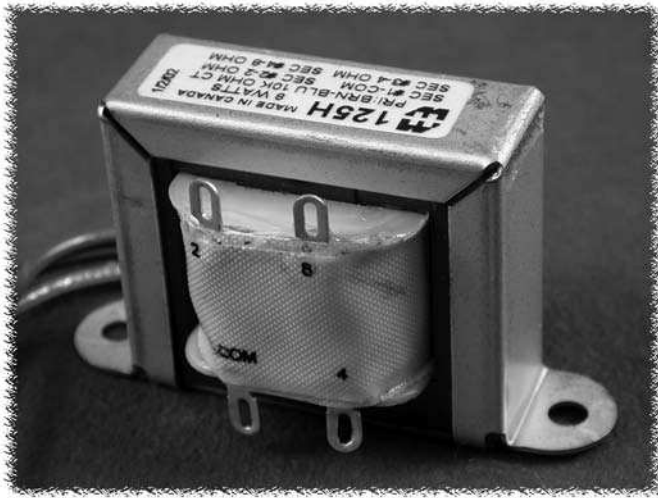
www.hammondmfg.com



EUROPE
Basingstoke, UK 01256 812812

AUSTRALIA
Queenstown, Australia 61-8-8240-2244

Push-Pull Output - General Purpose (125H-J Series)

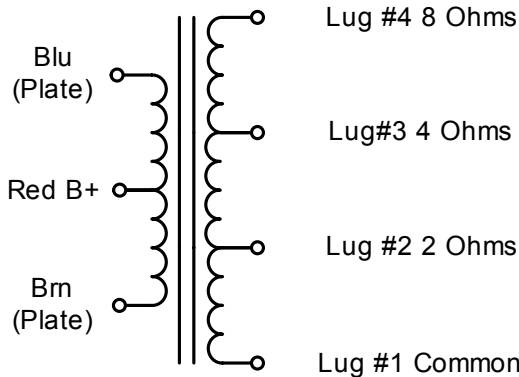


MULTIPLE IMPEDANCE - 8 WATT "CLASSIC" TUBE OUTPUT TRANSFORMERS

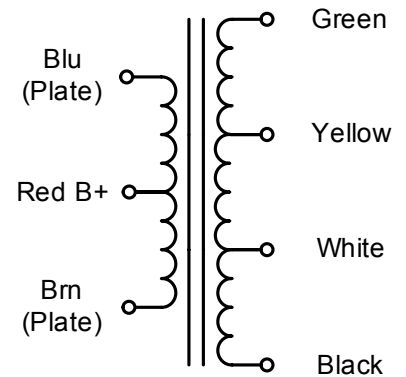
- Designed for general purpose or replacement use in push-pull tube output circuits.
- Frequency response: 150 Hz. - 15 KHz (+/- 1db max.- ref. 1 KHz).
- 125H - open style with minimum 5" long primary leads, secondary solder lugs for convenient secondary connections.
- 125J - open style with minimum 10" long primary & secondary leads.

| Part No. | Audio Watts | Primary Impedance (Ohms) | Secondary Impedance (Ohms) | Primary Inductance Henrys | Dimensions (Inches) | | | | | Wt. Lbs. |
|----------|-------------|--------------------------|----------------------------|---------------------------|---------------------|------|------|------|-------------|----------|
| | | | | | A | B | C | D | G Mtg. Hole | |
| 125H | 8 | 10K | 2, 4 or 8 | 5.6 | 2.81 | 1.40 | 1.63 | 2.38 | 0.187 | 0.55 |
| 125J | 8 | 2.5K or 4K | 6/8 or 3.2/4 | 5.6 | 3.25 | 1.50 | 1.94 | 2.81 | 0.187 | 1 |

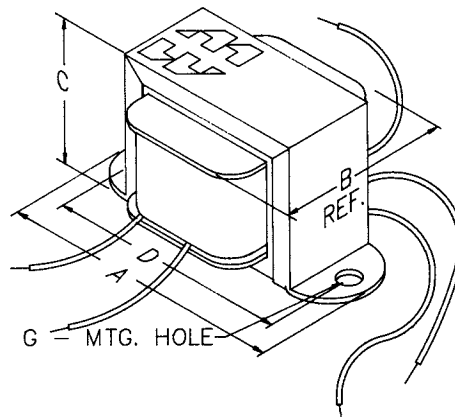
Schematic & Hook Up Data



PRI SEC
125H



PRI SEC
125J



| Pri. Impedance Plate to Plate Brown to Blue (Ohms) | Sec. Impedance (Ohms) | Use Sec. Lead Connections |
|--|-----------------------|---------------------------|
| 4,000 C.T. | 6/8 | WHT - GRN |
| 4,000 C.T. | 3.2/4 | WHT - YEL |
| 2,500 C.T. | 6/8 | BLK - GRN |
| 2,500 C.T. | 3.2/4 | BLK - YEL |

Tube Audio

EUROPE

Basingstoke, UK 01256 812812

AUSTRALIA

Queenstown, Australia 61-8-8240-2244

www.hammondmfg.com



CANADA

Guelph, Ontario (519) 822-2960
St. Laurent, Quebec (514) 343-9010

USA

Cheektowaga, NY (716) 630-7030

