

C25xx Model

5x7 mm SMD, 2.5V, LVCMOS

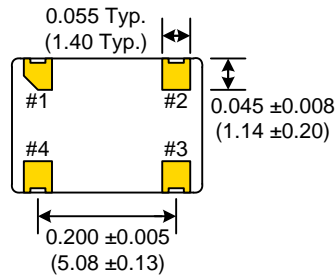
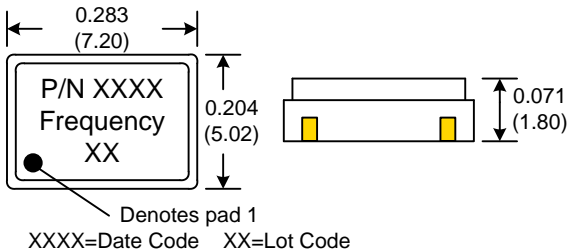


Frequency Range:	1.544 MHz to 70 MHz
Frequency Stability:	±20ppm to ±100ppm
Temperature Range:	
Operating:	-10°C to 70°C
(Option)	-40°C to 85°C
Storage:	-55°C to 120°C
Input Voltage:	2.5V ± 0.125V
Input Current:	35mA Max
Output:	LVCMOS
Symmetry:	45/55% Max @ 50% Vdd
Rise/Fall Time:	1ns Typ, 3.5ns Max
Logic:	"0" = 10% Vdd Max "1" = 90% Vdd Min
Load:	15pF Max
Jitter RMS:	12kHz~20MHz 0.5ps Typ, 1ps Max
Aging:	<3ppm 1 st /yr, <1ppm every year thereafter

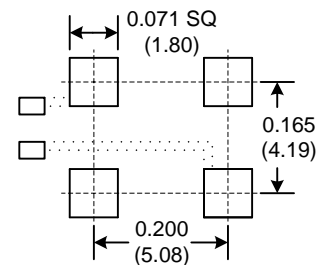
Designed to meet today's requirements for 2.5V applications. The C25xx Series utilizes only fundamental and 3rd overtone crystal designs. No multiplier is used thereby reducing output jitter. Available on 16mm tape and reel in quantities of 1K.

Dimensions inches (mm)

All dimensions are Max unless otherwise specified.

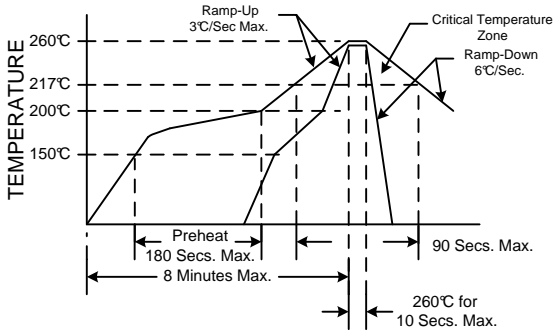


SUGGESTED PAD LAYOUT



0.01uF Bypass Capacitor Recommended

RECOMMENDED REFLOW SOLDERING PROFILE

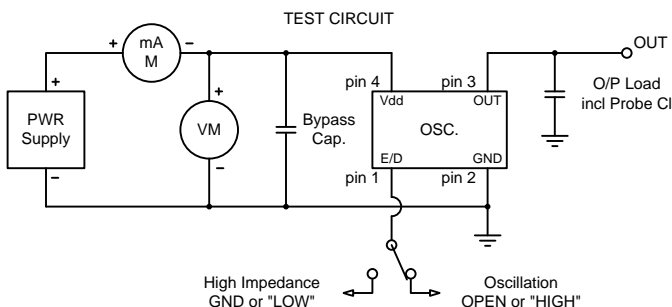


NOTE: Reflow Profile with 240°C peak also acceptable.

Crystek Part Number Guide

Example: C2592-44.736MHz
Example: CE2592-44.736MHz

Temperature		Frequency Stability
-10/70°C	-40/85°C	
C2590	CE2590	+/- 100ppm
C2592	CE2592	+/- 50ppm
C2591	CE2591	+/- 25ppm
C2598	NA	+/- 20ppm



Tri-State Function	
Function pin 1	Output pin
Open "1" level 2.2V Min "0" level 0.4V Max	Active Active High Z

Specifications subject to change without notice.

TD-02062 Rev.H