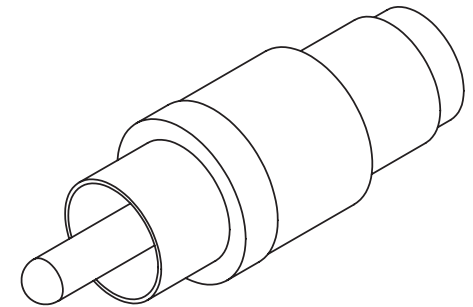
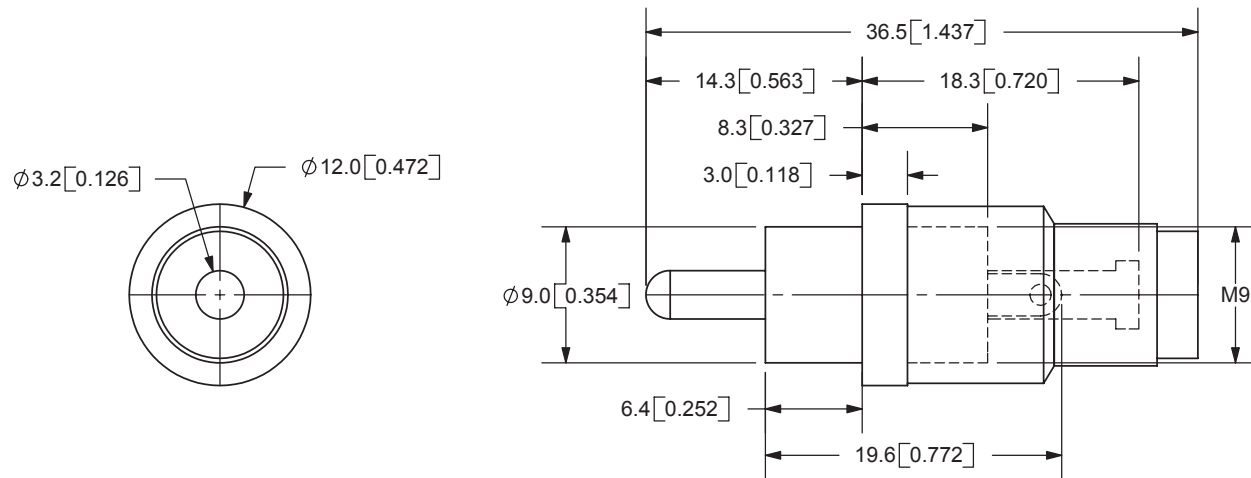


REV.	DESCRIPTION	DATE
A	NEW DRAWING	5/16/2006



COLOR INDEX	
PART NO.	COLOR
RCP-011	Black
RCP-012	Red
RCP-013	White
RCP-014	Yellow
RCP-015	Blue
RCP-016	Green
RCP-017	Orange

TOLERANCE:
±0.3mm UNLESS OTHERWISE
SPECIFIED



CUI INC

9615 SW Allen Blvd., Ste. 103
Beaverton, OR 97005
Phone: 503-643-4899
800-275-4899
Fax: 503-372-1266
Website: www.cui.com

SPECIFICATIONS:
CONTACT RESISTANCE: 30m OHMS MAX
INSULATION RESISTANCE: 100M OHMS MIN: 500V DC
VOLTAGE WITHSTAND: 500V AC R.M.S. FOR 1 MINUTE
LIFE: 5,000 CYCLES
OPERATING TEMP: -20° ~ +85°C

	MATERIAL	PLATING
EARTH TERMINAL	Brass	Nickel
TIP TERMINAL	Brass	Nickel
BARREL	Brass	Nickel
COVER	ABS	see color index
BARREL HOUSING	ABS	see color index

TITLE:	RCA PLUG, MODULAR, PLASTIC HANDLE	REV:	A
PART NO.	RCP-01X	UNITS:	MM [INCHES]
DRAWN BY:	ZRJ	APPROVED BY:	
		SCALE:	2:1

PC FILE NAME:
RCP-01X

COPYRIGHT 2006 BY CUI INC.