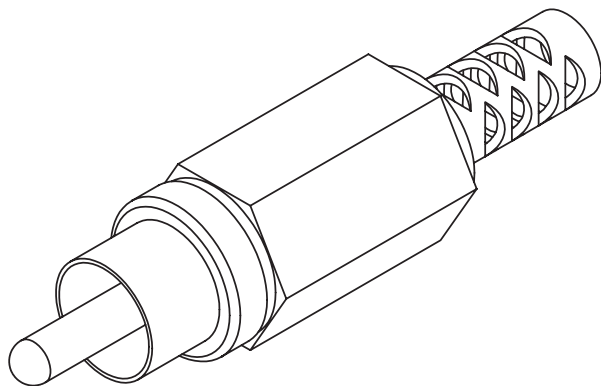
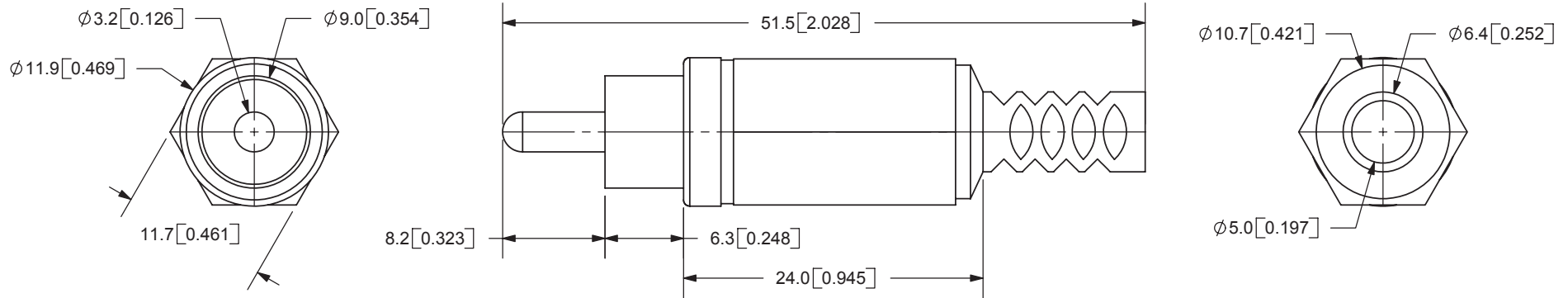


REV.	DESCRIPTION	DATE
A	NEW DRAWING	5/16/2006



SPECIFICATIONS:
 CONTACT RESISTANCE: 30m OHMS MAX
 INSULATION RESISTANCE: 100M OHMS MIN: 500V DC
 VOLTAGE WITHSTAND: 500V AC R.M.S. FOR 1 MINUTE
 LIFE: 5,000 CYCLES
 OPERATING TEMP: -20° ~ +85°C

TOLERANCE:
 $\pm 0.3\text{mm}$ UNLESS OTHERWISE SPECIFIED



COLOR INDEX	
PART NO.	COLOR
RCP-021	Black
RCP-022	Red
RCP-023	White
RCP-024	Yellow
RCP-025	Blue
RCP-026	Green
RCP-027	Orange



9615 SW Allen Blvd., Ste. 103
 Beaverton, OR 97005
 Phone: 503-643-4899
 800-275-4899
 Fax: 503-372-1266
 Website: www.cui.com

	MATERIAL	PLATING
BARRELS	Brass	Nickel
PLASTIC COVER	ABS	see color index
COVER	PE	see color index

TITLE: RCA PLUG, MODULAR, PLASTIC HANDLE	REV: A
PART NO. RCP-02X	UNITS: MM [INCHES]
DRAWN BY: ZRJ	APPROVED BY: SCALE: 2:1

PC FILE NAME:
 RCP-02X

COPYRIGHT 2006 BY CUI INC.