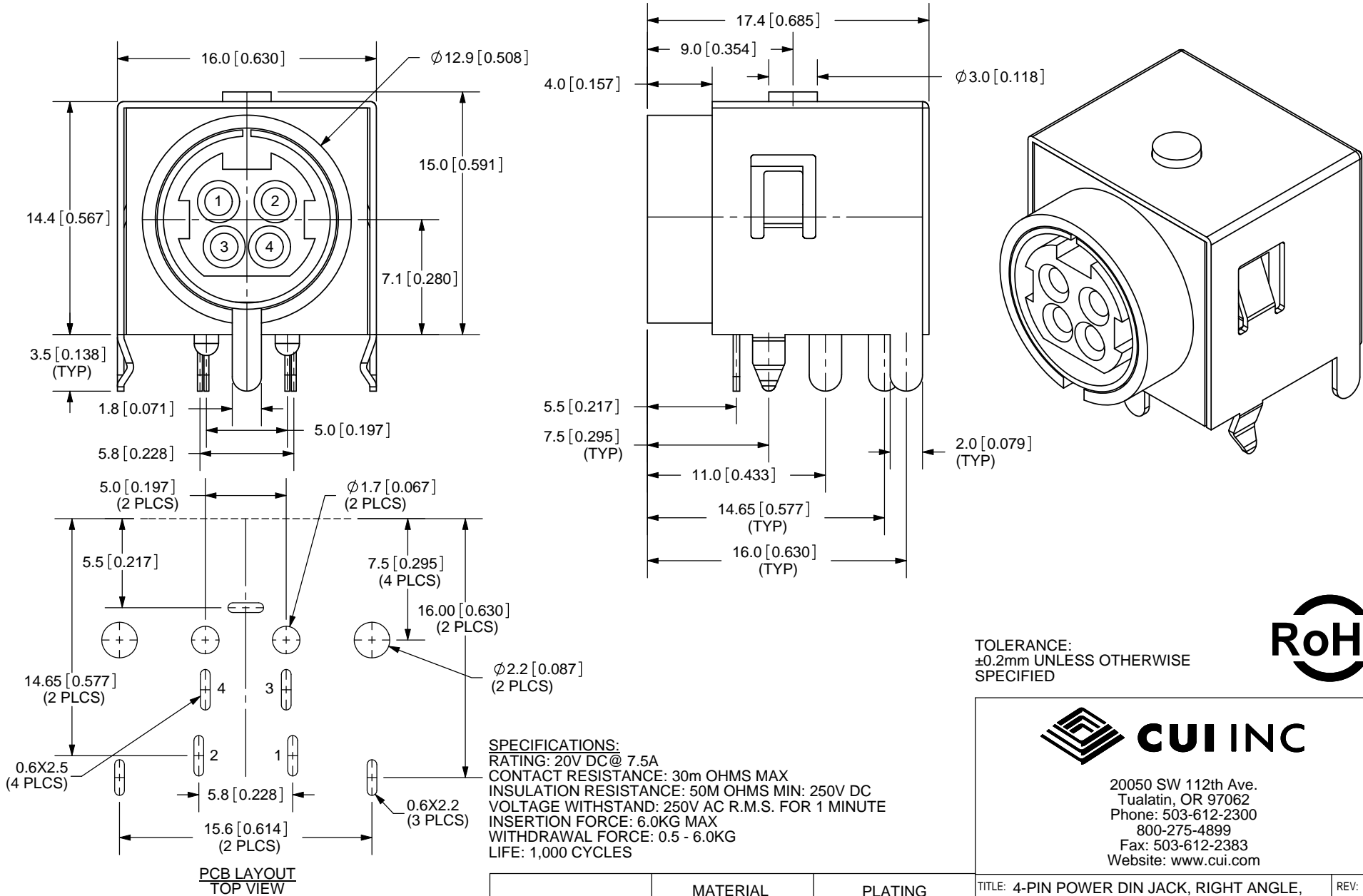


REV.	DESCRIPTION	DATE
A	NEW DRAWING	11/19/2008
B	update to title and tolerance	9/8/2009



TOLERANCE:  
 ±0.2mm UNLESS OTHERWISE  
 SPECIFIED



20050 SW 112th Ave.  
 Tualatin, OR 97062  
 Phone: 503-612-2300  
 800-275-4899  
 Fax: 503-612-2383  
 Website: www.cui.com

	MATERIAL	PLATING	TITLE: 4-PIN POWER DIN JACK, RIGHT ANGLE, WITH SHIELDING	REV: B
TERMINALS 1-4	Brass	Tin	PART NO. PD-40S	UNITS: MM [INCHES]
EARTH TERMINAL	Brass	Tin		
SHIELD	Steel	Tin	DRAWN BY: ZRJ	APPROVED BY:
HOUSING	PBT			

PC FILE NAME:  
 PD-40S

COPYRIGHT 2008 BY CUI INC.