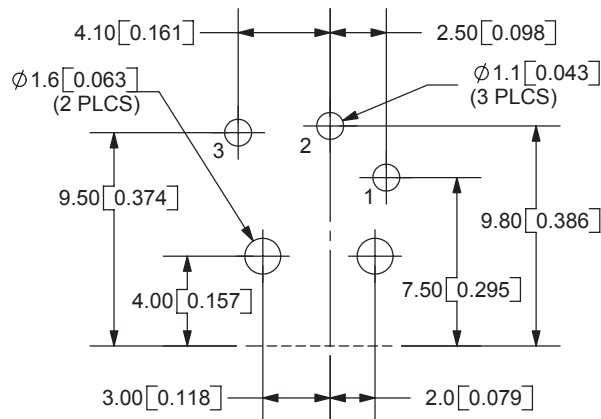
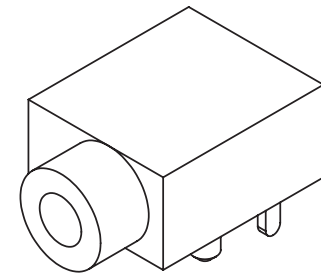
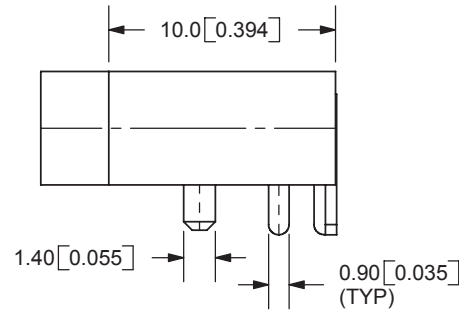
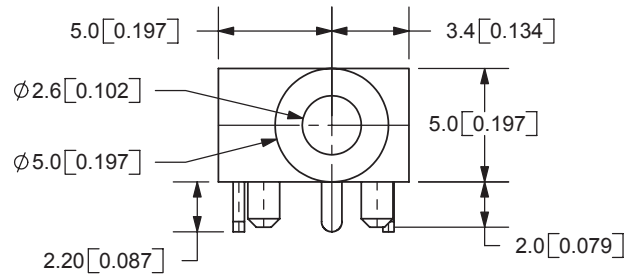
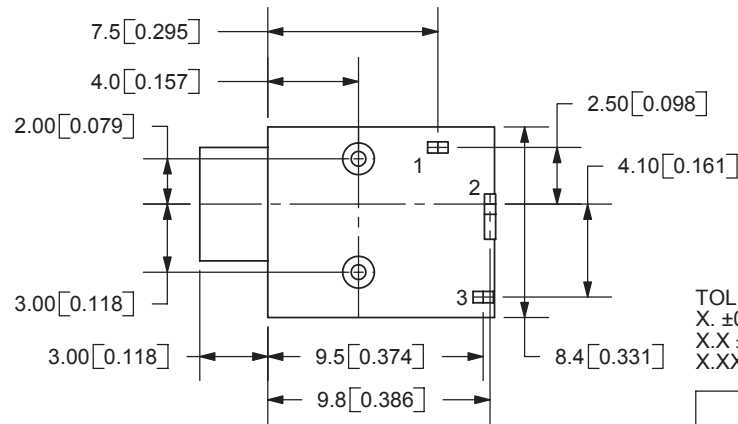


REV.	DESCRIPTION	DATE
A	NEW DRAWING	11/30/2005



PCB LAYOUT  
TOP VIEW

MODEL NO.	MJ-2509N
SCHMATIC	



TOLERANCE:  
X. ±0.5mm  
X.X ±0.3mm  
X.XX ±0.15mm



20050 SW 112th Ave.  
Tualatin, OR 97062  
Phone: 503-643-4899  
800-275-4899  
Fax: 503-372-1266  
Website: www.cui.com

**SPECIFICATIONS:**  
RATING: 12V DC @ 1A  
CONTACT RESISTANCE: 30m OHMS MAX  
INSULATION RESISTANCE: 100M OHMS MIN: 500V DC  
VOLTAGE WITHSTAND: 500V AC R.M.S. FOR 1 MINUTE  
LIFE: 5,000 CYCLES  
OPERATING TEMP: -20° ~ +60°C

	MATERIAL	PLATING	TITLE: 2.5mm AUDIO JACK-MONO	REV: A
TERMINAL 1	PBS	Tin	PART NO. MJ-2509N	UNITS: MM [INCHES]
TERMINAL 2	Brass	Tin		
TERMINAL 3	PBS	Tin		
HOUSING	PBT		DRAWN BY: ZRJ	APPROVED BY:
			SCALE: 3:1	

PC FILE NAME:  
MJ-2509N

COPYRIGHT 2006 BY CUI INC.