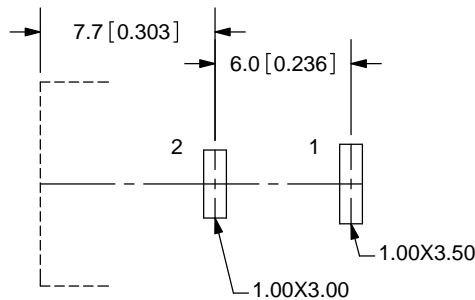
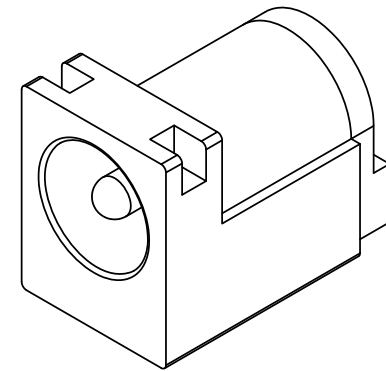
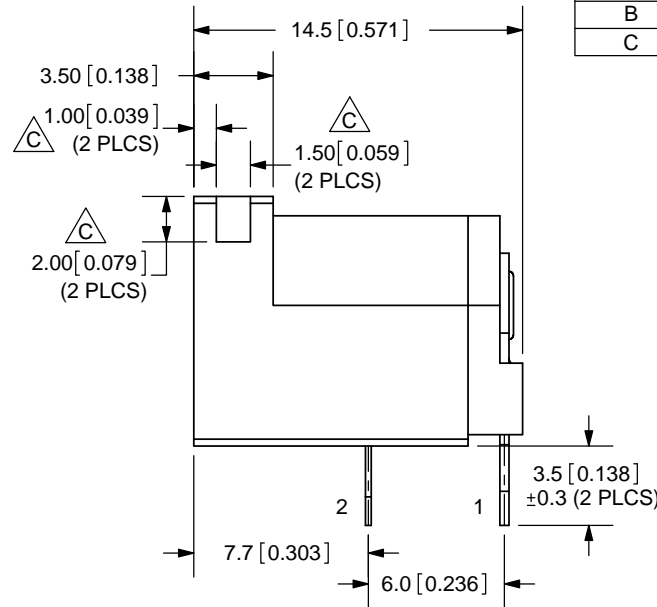
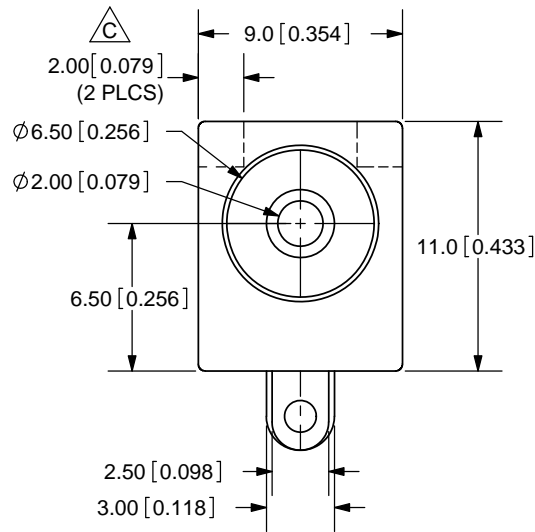
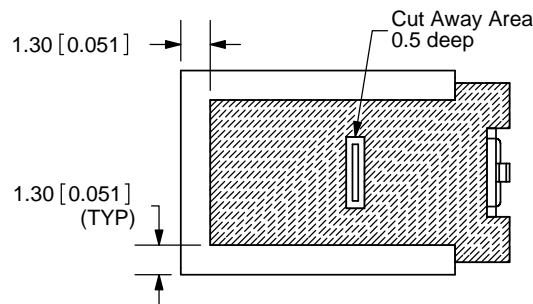


REV.	DESCRIPTION	DATE
A	NEW DRAWING	7/30/2007
B	cut away area modified	8/28/2008
C	added dimensions	6/23/2011



PCB LAYOUT
TOP VIEW



TOLERANCE:
X.X±0.2mm
X.XX±0.1mm
X.XXX±0.05mm



MODEL NO.	PJ-037A
SCHMATIC	

CENTER PIN DIAMETER 2.00mm Dia.

SPECIFICATIONS:
RATING: 16V DC @ 2.5A
CONTACT RESISTANCE: 50m OHMS MAX
INSULATION RESISTANCE: 100M OHMS MIN: 500V DC
VOLTAGE WITHSTAND: 500V AC R.M.S. FOR 1 MINUTE
LIFE: 5,000 CYCLES

MATERIAL	PLATING	TITLE:	REV:
CENTER PIN	Copper	DC POWER JACK	C
TERMINAL 1	Brass	PART NO. PJ-037A	UNITS: MM [INCHES]
TERMINAL 2	Copper Alloy		
BODY	PBT	DRAWN BY: ZRJ	APPROVED BY:
		SCALE: 3:1	

PC FILE NAME:
PJ-037A

COPYRIGHT 2011 BY CUI INC.



20050 SW 112th Ave.
Tualatin, OR 97062
Phone: 503-612-2300
800-275-4899
Fax: 503-612-2383
Website: www.cui.com