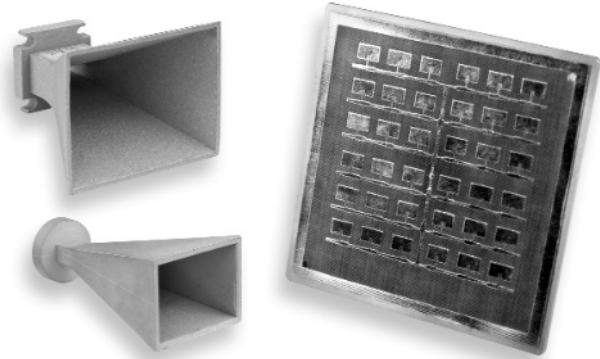


### Features

- Low Cost
- Diecast Construction
- Waveguide Mounting
- Small Size

### Applications

- Speed Radars
- Radar Decoys
- Intrusion Alarm Systems
- Door Openers
- Object Detection



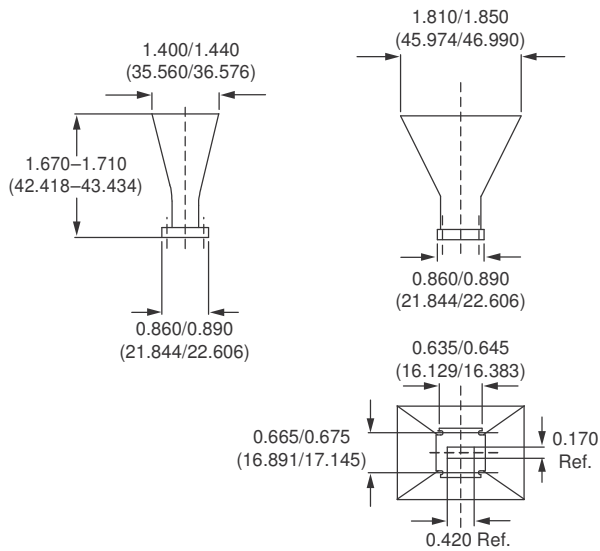
### Description

These microwave antennas are designed for commercial applications as a low-cost method for transmitting microwave energy. These antennas utilize high-gain properties and shaped-beam patterns that are suitable for most applications.

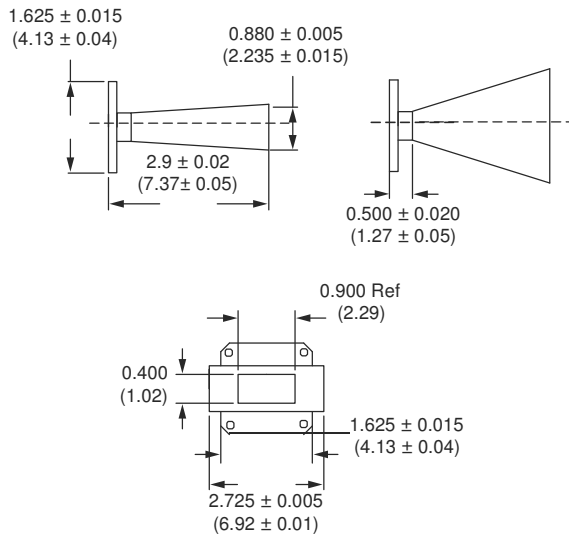
### Specifications @ 25 °C

Model Number	Description	Center Frequency (GHz)	Usable Frequency Range (GHz)	Nominal E-Plane Beamwidth (Deg.)	Nominal H-Plane Beamwidth (Deg.)	Nominal Gain (dB)
<i>X Band Antennas</i>						
MDT86554	Pyramidal Horn Ant.	10.525	8–12	70	30	12
<i>K Band Antennas</i>						
MDT86552	Pyramidal Horn Ant.	24.150	18.0–26.5	20	30	17
MDT5864	Planar Array Ant.	24.125	24.00–24.25	14	14	18
MDT6386 <sup>1</sup>	Pyramidal Horn Ant.	24.150	18.0–26.5	17	29	18
<i>V Band Antennas</i>						
MHA4200	Pyramidal Horn Ant.	77.000	76–78	20	15	20

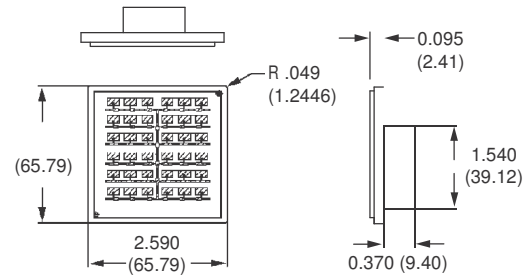
1. With integrated harmonic filter.

**MO86552**


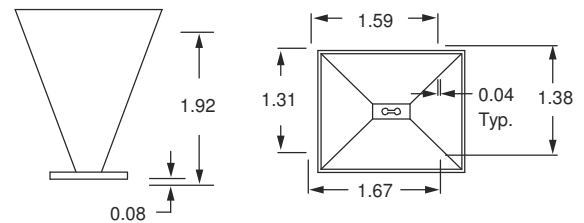
Dimensions are in inches (mm).

**MDT86554**


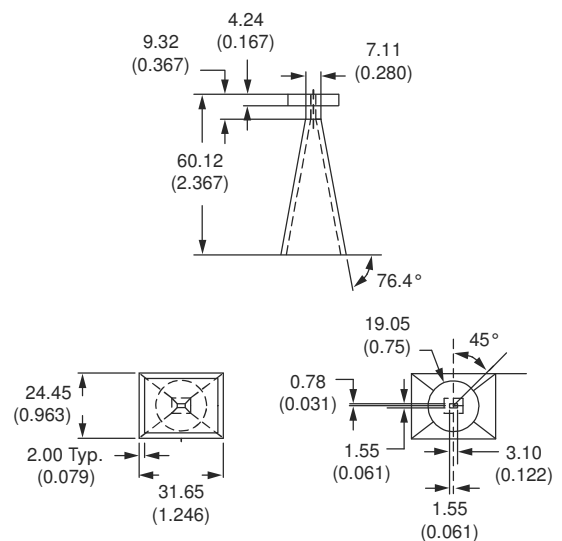
Dimensions are in inches (mm).

**MO5864**


Dimensions are in inches (mm).

**MDT6386**


Dimensions are in inches.

**MHA4200**


Dimensions are in inches (mm).