

SWITCHING DIODE – METALLURGICALLY BONDED
 – HERMETICALLY SEALED
 – DOUBLE PLUG CONSTRUCTION

Qualified per MIL-PRF-19500/241

DEVICES

1N3595UR-1 LL3595 MLL3595

LEVELS

**JAN
 JANTX
 JANTXV**

MAXIMUM RATING AT 25°C

Operating Temperature: -65°C to +175°C
 Storage Temperature: -65°C to +175°C
 Surge Current A, sine 1S: 500mA
 Surge Current A, sine 1µS: 4A
 Total Power Dissipation: 500mW
 Operating Current: 150mA, T_A = +25°C
 D.C. Reverse Voltage (VRWM): 125V



DC ELECTRICAL CHARACTERISTICS

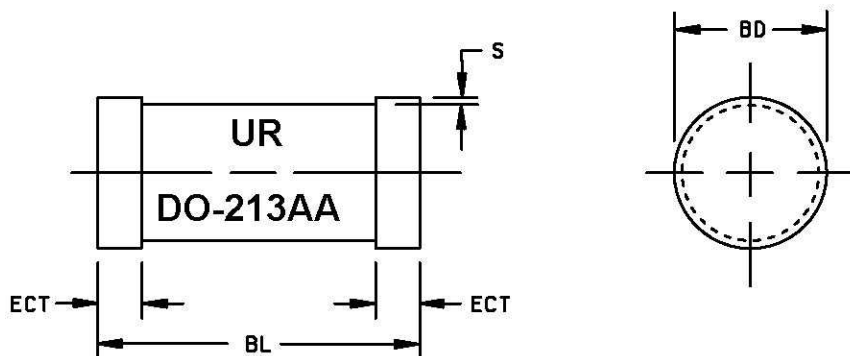
V _F				I _R				V _{BR}			
Ambient (°C)	I _F mA	Min V	Max V	Ambient (°C)	V _R V (dc)	Min µA	Max µA	Ambient (°C)	I _R µA	Min V	Max V
25	1	0.52	0.70	25	125	-	0.001	-55	100	150	-
25	5	0.60	0.765	150	125	-	3				
25	10	0.65	0.80								
25	50	0.74	0.88								
25	100	0.79	0.92								
25	200	0.83	1.00								

DO-213AA

AC ELECTRICAL CHARACTERISTICS AT 25°C

	Min	Max	Unit
Capacitance @ 0V	-	8.0	pF
T _{RR} @ I _F = 10mA V _R = 35V	-	3.0	µsec

PACKAGE DIMENSIONS



NOTE:

1. Dimensions are in inches.
2. Millimeters are given for general information only.
3. Dimensions are pre-solder dip.
4. Referencing to dimension S, minimum clearance of glass body to mounting surface on all orientations.
5. In accordance with ASME Y14.5M, diameters are equivalent to ϕx symbology.

Ltr	Dimensions				Notes
	Inches		Millimeters		
	Min	Max	Min	Max	
BD	.063	.067	1.60	1.70	
BL	.130	.146	3.30	3.70	
ECT	.016	.022	0.41	0.55	
S	.001 Min		0.03 Min		

DESIGN DATA

Case: Hermetically sealed glass package per MIL-PRF-19500/241 DO-213AA outline

Lead Material: Copper clad steel

Lead Finish: Tin / Lead

Thermal Impedance ($Z_{\theta JX}$): 70°C/W maximum

Polarity: Cathode end is banded

FIGURE 1. Physical dimensions - 1N3595UR-1, 1N3595AUR-1 (DO-213AA)