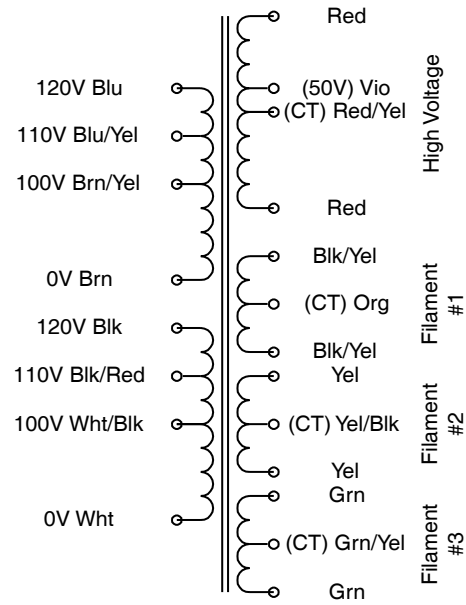


# "Classic" Plate & Filament - Universal Primary (300 Series)

Power



## Transformer Schematic



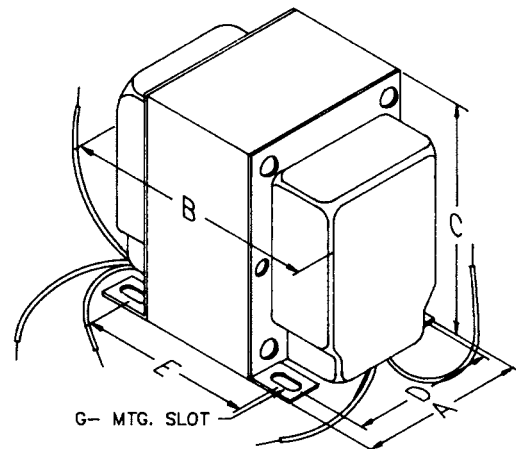
## "CLASSIC" PLATE & FILAMENT UNIVERSAL PRIMARY POWER TRANSFORMERS

- Primary: Universal - 100, 110, 120, 200, 220, 240 VAC 50/60 Hz.
- Bias Tap: 50 VAC tap from high voltage secondary C.T.
- Highpot tested: 2,000 VAC
- Finish: Black powder painted to match our 1650 series of output transformers
- Windings: Concentric wound for low stray field and low noise
- Models: Includes our entire "200" SERIES range of units PLUS 2 models designed specifically for 300B tubes (Part Number 300BX) and 2A3 tubes (Part Number 302AX).
- For a more economical, open frame, universal primary - see our "260" series.

## "X" Mounting Dimension Table

Mtg. Style	Dimensions (Inches)					G - Mtg. Slot
	A	B	C	D	E	
X2	1.88	2.44	2.50	1.50	1.56	.19 X .31
X4	2.19	2.50	2.63	1.75	1.44	.19 X .25
X5	2.19	2.63	2.63	1.75	1.56	.19 X .25
X6	2.50	2.75	3.06	2.00	1.69	.203 X .38
X7	2.50	3.00	3.06	2.00	1.94	.203 X .38
X8	2.50	3.25	3.06	2.00	2.19	.203 X .38
X9	2.50	3.75	3.06	2.00	2.69	.203 X .38
X10	3.13	3.50	3.81	2.50	2.19	.203 X .38
X11	3.13	3.75	3.81	2.50	2.44	.203 X .38
X13	3.75	4.00	4.56	3.00	2.81	.203 X .38
X14	3.75	4.50	4.56	3.00	3.31	.203 X .38
X15	3.75	5.00	4.56	3.00	3.81	.203 X .38
X19	3.13	4.00	3.81	2.50	2.69	.203 X .38
X20	3.13	4.25	3.81	2.50	2.94	.203 X .38
X21	4.38	6.00	5.50	3.50	4.00	.203 X .38
X22	3.75	4.19	4.56	3.00	3.06	.203 X .38

## "X" Mounting Drawing



**CANADA**  
Guelph, Ontario (519) 822-2960  
St. Laurent, Quebec (514) 343-9010  
**USA**  
Cheektowaga, NY (716) 630-7030

[www.hammondmfg.com](http://www.hammondmfg.com)



**EUROPE**  
Basingstoke, UK 01256 812812

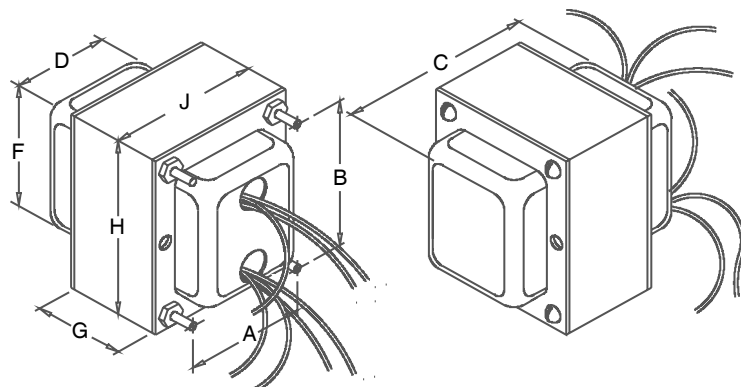
**AUSTRALIA**  
Queenstown, Australia 61-8-8240-2244

# "Classic" Plate & Filament - Universal Primary (300 Series)

Power

Part Number	Total Power (VA)	A.C. High Voltage Secondary R.M.S.	Bias Tap (VAC)	Filament #1 (VAC)	Filament #2 (VAC)	Filament #3 (VAC)	Filament #4 (VAC)	Dimension Reference
363AX	32	200V C.T. @ 115ma.	50	5V C.T. @ 2A	-	-	-	X6
369AX	40	250V C.T. @ 115ma.	50	6.3V C.T. @ 2A	-	-	-	X6
369BX	39	300V C.T. @ 86ma.	50	6.3V C.T. @ 2A	-	-	-	X6
363CX	119	360V C.T. @ 288ma.	50	5V C.T. @ 3A	-	-	-	X11
369EX	45	380V C.T. @ 75ma.	50	6.3V C.T. @ 2.5A	-	-	-	X6
370X	41	480V C.T. @ 46ma.	50	5V C.T. @ 2A	6.3V C.T. @ 1.5A	-	-	X6
370AX	44	480V C.T. @ 58ma.	50	6.3V C.T. @ 2.5A	-	-	-	X6
369GX	50	450V C.T. @ 75ma.	50	6.3V C.T. @ 2.5A	-	-	-	X6
369JX	50	500V C.T. @ 69ma.	50	6.3V C.T. @ 2.5A	-	-	-	X6
370CAX	66	500V C.T. @ 81ma.	50	5V C.T. @ 2A	6.3V C.T. @ 2.5A	-	-	X8
370DAX	76	520V C.T. @ 104ma.	50	6.3V C.T. @ 3.5A	-	-	-	X8
370DAZ	76	520V C.T. @ 104ma.	50	6.3V C.T. @ 3.5A	-	-	-	Z10
370BX	55	550V C.T. @ 58ma.	50	5V C.T. @ 2A	6.3V C.T. @ 2A	-	-	X7
370CX	59	550V C.T. @ 75ma.	50	6.3V C.T. @ 0.6A	6.3V C.T. @ 2.5A	-	-	X7
370DX	86	550V C.T. @ 104ma.	50	5V C.T. @ 2A	6.3V C.T. @ 3A	-	-	X8
370EX	119	550V C.T. @ 144ma.	50	5V C.T. @ 3A	6.3V C.T. @ 4A	-	-	X11
370FX	141	550V C.T. @ 173ma.	50	5V C.T. @ 3A	6.3V C.T. @ 5A	-	-	X20
370HX	180	550V C.T. @ 230ma.	50	5V C.T. @ 3A	6.3V C.T. @ 6A	-	-	X20
371X	63	560V C.T. @ 69ma.	50	5V C.T. @ 2A	6.3V C.T. @ 2A	-	-	X7
372BX	98	600V C.T. @ 115ma.	50	5V C.T. @ 2A	6.3V C.T. @ 3A	-	-	X10
372DX	127	600V C.T. @ 144ma.	50	5V C.T. @ 3A	6.3V C.T. @ 4A	-	-	X11
372FX	150	600V C.T. @ 173ma.	50	5V C.T. @ 3A	6.3V C.T. @ 5A	-	-	X20
302AX	198	600V C.T. @ 230ma.	50	2.5V C.T. @ 2.5A	5V C.T. @ 3A	6.3V C.T. @ 6A	2.5V C.T. @ 2.5A	X13
372HX	191	600V C.T. @ 230ma.	50	5V C.T. @ 3A	6.3V C.T. @ 6A	-	-	X13
372JX	243	600V C.T. @ 288ma.	50	5V C.T. @ 4A	6.3V C.T. @ 8A	-	-	X14
372X	75	620V C.T. @ 81ma.	50	5V C.T. @ 2A	6.3V C.T. @ 2.4A	-	-	X8
376X	157	640V C.T. @ 173ma.	50	5V C.T. @ 3A	6.3V C.T. @ 5A	-	-	X20
373AZ	49	650V C.T. @ 46ma.	50	5V C.T. @ 2A	6.3V C.T. @ 2A	-	-	Z11
373CZ	159	650V C.T. @ 173ma.	50	5V C.T. @ 3A	6.3V C.T. @ 5A	-	-	Z12
373DX	101	700V C.T. @ 104ma.	50	5V C.T. @ 2A	6.3V C.T. @ 3A	-	-	X10
373DZ	101	700V C.T. @ 104ma.	50	5V C.T. @ 2A	6.3V C.T. @ 3A	-	-	Z13
373X	125	700V C.T. @ 127ma.	50	5V C.T. @ 2A	6.3V C.T. @ 4A	-	-	X11
373BX	187	700V C.T. @ 201ma.	50	5V C.T. @ 3A	6.3V C.T. @ 5A	-	-	X13
374AX	136	720V C.T. @ 138ma.	50	5V C.T. @ 3A	6.3V C.T. @ 3.5A	-	-	X11
374X	141	750V C.T. @ 127ma.	50	5V C.T. @ 3A	6.3V C.T. @ 5A	-	-	X20
374BX	200	750V C.T. @ 201ma.	50	5V C.T. @ 3A	6.3V C.T. @ 6A	-	-	X13
375X	171	800V C.T. @ 155ma.	50	5V C.T. @ 3A	6.3V C.T. @ 5A	-	-	X20
378X	237	800V C.T. @ 230ma.	50	5V C.T. @ 3A	6.3V C.T. @ 6A	-	-	X22
300BX	280	800V C.T. @ 288ma.	50	5V C.T. @ 1.2A	5V C.T. @ 3A	6.3V C.T. @ 6A	-	X15
378CX	465	800V C.T. @ 534ma.	50	6.3V C.T. @ 6A	-	-	-	X21
379X	193	850V C.T. @ 173ma.	50	5V C.T. @ 3A	6.3V C.T. @ 5A	-	-	X22
382X	283	1,000V C.T. @ 230ma.	50	5V C.T. @ 3A	6.3V C.T. @ 6A	-	-	X15

## "Z" Mounting - Drawing



## "Z" Mounting - Dimension Table

Mtg. Style	Dimensions (Inches)							
	A	B	C	D	F	G	H	J
Z10	2.25	2.81	3.50	2.50	2.44	1.30	3.38	2.81
Z11	2.50	2.81	3.45	1.87	2.44	1.25	3.38	2.81
Z12	2.50	3.15	4.08	2.06	2.69	1.84	3.75	3.13
Z13	2.50	3.15	3.60	2.06	2.69	1.39	3.75	3.13

For wiring diagrams - visit our website:

[www.hammondmfg.com](http://www.hammondmfg.com)

### EUROPE

Basingstoke, UK 01256 812812

### AUSTRALIA

Queenstown, Australia 61-8-8240-2244

[www.hammondmfg.com](http://www.hammondmfg.com)



### CANADA

Guelph, Ontario (519) 822-2960  
St. Laurent, Quebec (514) 343-9010

### USA

Cheektowaga, NY (716) 630-7030

