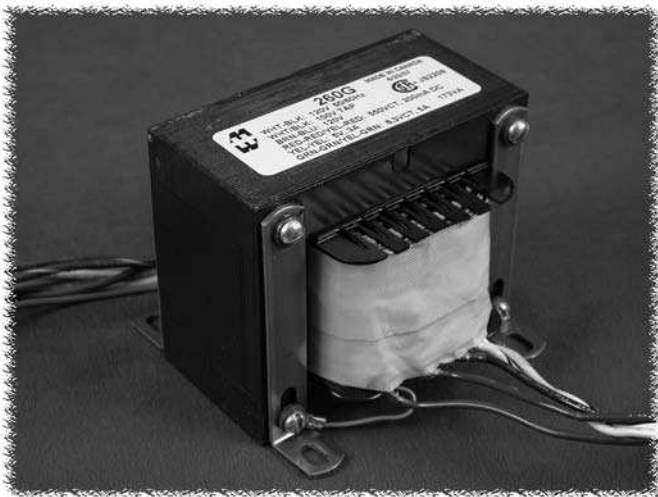


"Classic" Plate & Filament - Chassis Mount (260 Series)

Power

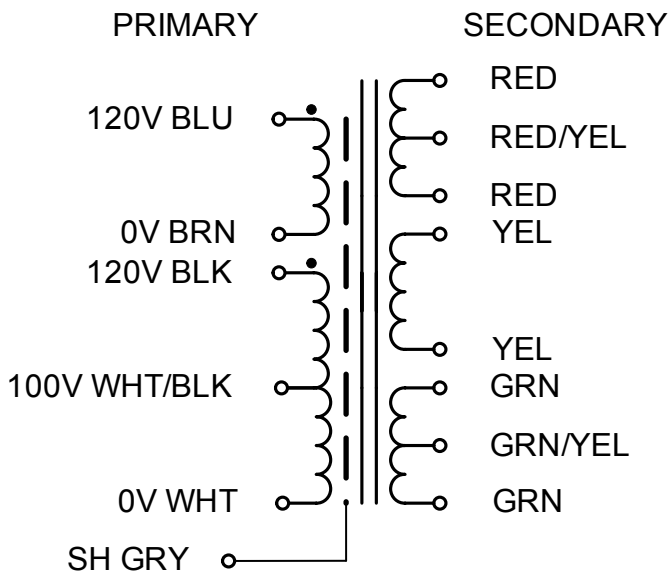


"CLASSIC" - UNIVERSAL PRIMARY PLATE & FILAMENT

- Universal primary with taps for 100, 120, 220 or 240 VAC, 50/60 Hz.
- Designed for preamps, low power amps, general replacement, test equipment, etc.
- Units include a Faraday shield between the primary and secondary windings.
- Economical, two hole (.187 dia. = G) channel bracket or four hole, open frame - chassis mount.
- Minimum 5" long leads.
- For more selection see our "300" series of universal plate & filament transformers.

Part No.	VA	A.C. High Voltage Secondary #1 RMS	A.C. Filament Sec. #2 RMS	A.C. Filament Sec. #3 RMS	Figure #	Dimensions (Inches)					
						A	B	C	D	E	G
260A	25	400V C.T. @ 40ma.	6.3V C.T. @ 1A	-	1	3.25	2.00	2.00	2.81	-	0.187
260C	65	500V C.T. @ 85ma.	5V @ 2A	6.3V C.T. @ 2A	1	4.03	2.65	2.625	3.56	-	0.187
260E	80	450V C.T. @ 115ma.	5V @ 2A	6.3V C.T. @ 3A	2	3.00	3.06	2.53	2.50	2.40	0.206 x 0.377
260G	175	550V C.T. @ 230ma.	5V @ 3A	6.3V C.T. @ 5A	2	3.75	3.50	3.135	3.25	3.25	0.203 x 0.375
260J	152	650V C.T. @ 173ma.	5V @ 2A	6.3V C.T. @ 4A	2	3.75	3.13	3.13	3.125	2.75	0.218 x 0.562
260K	197	650V C.T. @ 230ma.	5V @ 3A	6.3V C.T. @ 5A	2	4.50	3.25	3.75	3.75	3.00	0.218 x 0.562
260M	248	700V C.T. @ 288ma.	5V @ 3A	6.3V C.T. @ 5A	2	4.50	3.25	3.75	3.75	3.00	0.218 x 0.562

Transformer Schematic



Notes:

- This series is designed to operate with **both** primary windings energized for maximum efficiency.
- The gray wire (connected to the core) marked SH (shield) should remain grounded.

For wiring diagrams - visit our website:

www.hammondmfg.com

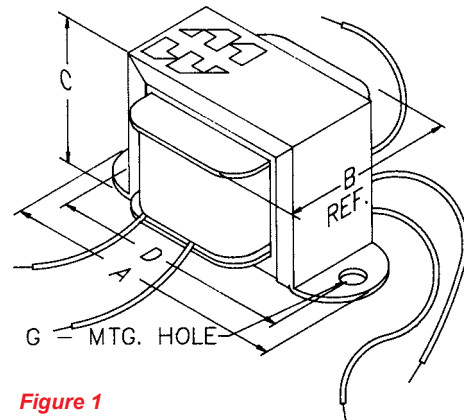


Figure 1

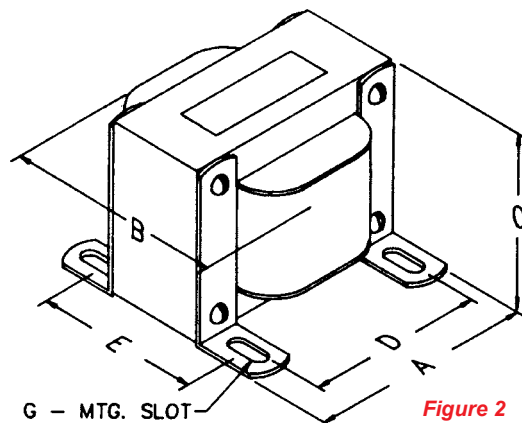


Figure 2



CANADA
Guelph, Ontario (519) 822-2960
St. Laurent, Quebec (514) 343-9010

USA
Cheektowaga, NY (716) 630-7030

www.hammondmfg.com



EUROPE
Basingstoke, UK 01256 812812

AUSTRALIA
Queenstown, Australia 61-8-8240-2244