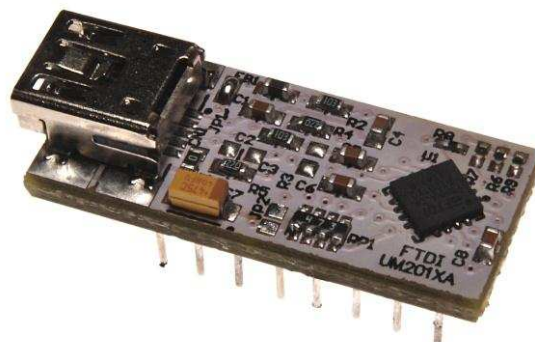


# Future Technology Devices International Ltd

## Datasheet

### UMFT201XA USB to I2C Development Module



*UMFT201XA is a USB to I<sup>2</sup>C DIP module with a 0.3" row pitch.*

## 1 Introduction

The UMFT201XA is a development module for FTDI's FT201XQ, one of the devices from FTDI's range of USB interface bridging integrated circuit devices. FT201X is a USB to I<sup>2</sup>C interface with a battery charger detection feature, which can allow batteries to be charged with a higher current from a dedicated charger port (without the FT201X being enumerated). In addition, asynchronous and synchronous bit bang interface modes are available. The internally generated clock (6MHz, 12MHz and 24MHz) can be brought out on one of the CBUS pins to be used to drive a microprocessor or external logic.

The UMFT201XA is a module which is designed to plug into a standard 0.3" wide 16 pin DIP socket. All components used, including the FT201XQ are Pb-free (RoHS compliant).

### 1.1 Features

The UMFT201XA utilises the FTDI FT201XQ; all the features of the FT201X can be utilized with the UMFT201XA. For a full list of the FT201X's features please see the FT201X datasheet which can be found by clicking [here](#). In addition to the features listed in the FT201X datasheet, the UMFT201XA has the following features:

- Small PCB assembly module designed to fit a standard 7.62mm (0.3") wide 16 pin DIP socket. Pins are on a 2.54mm (0.1") pitch.
- On board USB 'mini-B' socket allows module to be connected to a PC or USB host via a standard A to mini-B USB cable.
- Functionally configurable using solder links. The default solder links setup enables the module to function without peripheral wires or application board. Other configurations enable external power supply options and variation of logic reference levels.



---

## Table of Contents

<b>1</b>	<b>Introduction .....</b>	<b>1</b>
1.1	<b>Features.....</b>	<b>1</b>
<b>2</b>	<b>Driver Support.....</b>	<b>3</b>
<b>3</b>	<b>Ordering Information .....</b>	<b>3</b>
<b>4</b>	<b>UMFT201XA Signals and Configurations .....</b>	<b>4</b>
4.1	<b>UMFT201XA Pin Out .....</b>	<b>4</b>
4.2	<b>Signal Descriptions .....</b>	<b>5</b>
4.3	<b>CBUS Signals Options.....</b>	<b>6</b>
<b>5</b>	<b>Module Configurations.....</b>	<b>7</b>
5.1	<b>Solder Link Configuration Options.....</b>	<b>7</b>
5.2	<b>Solder Link Modifications .....</b>	<b>7</b>
5.3	<b>BUS Powered Configuration .....</b>	<b>8</b>
5.4	<b>Self Powered Configuration.....</b>	<b>9</b>
5.5	<b>USB Bus Powered with Power Switching Configuration .....</b>	<b>10</b>
5.6	<b>Variable IO Voltage Supply .....</b>	<b>11</b>
5.7	<b>3.3V Voltage Supply .....</b>	<b>12</b>
5.8	<b>Configuring the MTP ROM.....</b>	<b>12</b>
<b>6</b>	<b>Module Dimensions .....</b>	<b>13</b>
<b>7</b>	<b>UMFT201XA Module Circuit Schematic.....</b>	<b>14</b>
<b>8</b>	<b>Internal MTP ROM Configuration .....</b>	<b>15</b>
<b>9</b>	<b>Contact Information .....</b>	<b>16</b>
	<b>Appendix A - List of Figures and Tables.....</b>	<b>17</b>
	<b>Appendix B – Revision History .....</b>	<b>18</b>

## 2 Driver Support

### Royalty-Free VIRTUAL COM PORT (VCP) DRIVERS for:

- Windows 7 32,64-bit
- Windows Vista
- Windows XP 32,64-bit
- Windows XP Embedded
- Windows CE.NET 4.2 , 5.0 and 6.0
- MAC OS OS-X
- Linux 3.0 and greater
- Android

### Royalty-Free D2XX Direct Drivers (USB Drivers + DLL S/W Interface):

- Windows 7 32,64-bit
- Windows Vista
- Windows XP 32,64-bit
- Windows XP Embedded
- Windows CE.NET 4.2, 5.0 and 6.0
- MAC OS OS-X
- Linux 3.0 and greater
- Android

The drivers listed above are all available to download for free from [www.ftdichip.com](http://www.ftdichip.com). Various 3rd Party Drivers are also available for various other operating systems - visit [www.ftdichip.com](http://www.ftdichip.com) for details.

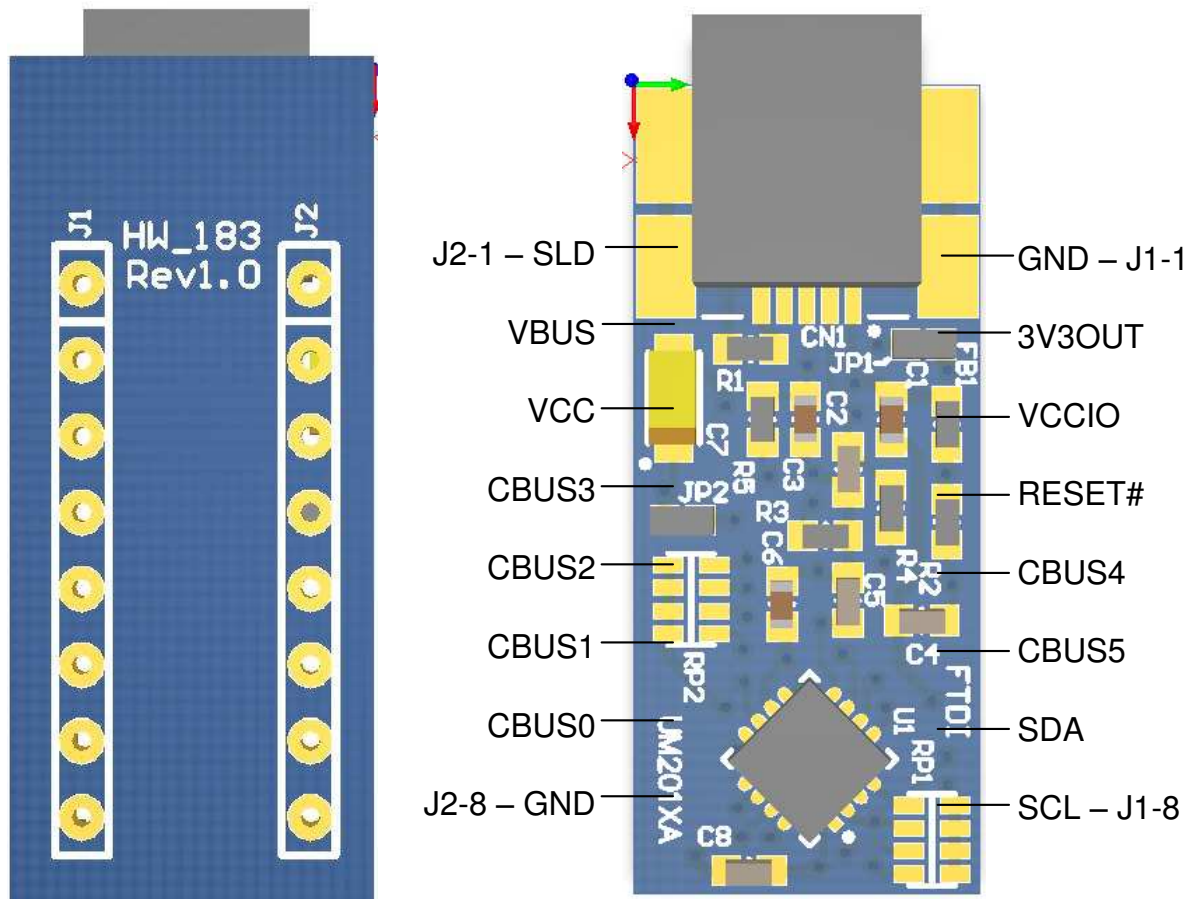
## 3 Ordering Information & TID

Module Code	Utilised IC Code	TID	Description
<a href="#">UMFT201XA-01</a>	<a href="#">FT201XQ</a>	<a href="#">10006629</a>	<a href="#">USB to I<sup>2</sup>C evaluation module. Pin length: 5.6mm. Rev B silicon.</a>
<a href="#">UMFT201XA-02</a>	<a href="#">FT201XQ</a>	<a href="#">TBC</a>	<a href="#">USB to I<sup>2</sup>C evaluation module. Pin length: 4.6mm. Rev C silicon. Available at a later date.</a>
<a href="#">UMFT220XA-01</a>	<a href="#">FT220XQ</a>	<a href="#">10006630</a>	<a href="#">USB to 4-bit SPI/FT1248 evaluation module.</a>
<a href="#">UMFT221XA-01</a>	<a href="#">FT221XQ</a>	<a href="#">10006631</a>	<a href="#">USB to 8-bit SPI/FT1248 evaluation module.</a>
<a href="#">UMFT230XA-01</a>	<a href="#">FT230XQ</a>	<a href="#">10006632</a>	<a href="#">USB to Basic UART evaluation module.</a>
<a href="#">UMFT231XA-01</a>	<a href="#">FT231XQ</a>	<a href="#">10006633</a>	<a href="#">USB to Full-Handshake UART evaluation module.</a>
<a href="#">UMFT240XA-01</a>	<a href="#">FT240XQ</a>	<a href="#">10006634</a>	<a href="#">USB to 8-bit 245 FIFO evaluation module.</a>

TID is the test identification code.

## 4 UMFT201XA Signals and Configurations

### 4.1 UMFT201XA Pin Out



**Figure 4.1 – Module Pin Out**

Figure 4 illustrates the signals available on the DIL pins. The LHS shows the pinout when the module is viewed from the bottom. The RHS shows what signals are available (on the pins below) when viewed from the top. The pins do not go completely through the PCB.

## 4.2 Signal Descriptions

Pin No.	Name	Type	Description
J1-1, J2-8	GND	PWR	Module Ground Supply Pins
J1-2	3V3OUT	Power Output	3.3V output from integrated LDO regulator. This pin is decoupled with a 100nF capacitor to ground on the PCB module. The prime purpose of this pin is to provide the 3.3V supply that can be used internally. For power supply configuration details see section 5.
J1-3	VCCIO	Power Input	+1.8V to +3.3V supply to the I <sup>2</sup> C Interface and CBUS I/O pins. For power supply configuration details see section 5.
J1-4	RESET#	Input	FT201X active low reset line. Configured with an on board pull-up and recommended filter capacitor. When no power is applied to the USB bus, reset will be held low, this prevents current from flowing to the host or hub when in self-powered mode.
J1-5	CBUS4	Input	Configurable CBUS I/O Pin. Function of this pin is configured in the IC's internal MTP ROM. See CBUS Signal Options, Table 4.2.
J1-6	CBUS5	Output	Configurable CBUS I/O Pin. Function of this pin is configured in the IC's internal MTP ROM. See CBUS signal options, Table 4.2.
J1-7	SDA	I/O	I <sup>2</sup> C bi-directional data line with recommended 1K pull-up.
J1-8	SCL	Input	I <sup>2</sup> C clock input with recommended 1K pull-up.
J2-1	SLD	GND	USB Cable Shield. Connected to GND via a 0ohm resistor.
J2-2	VBUS	Power Output	5V Power output from the USB bus. For a low power USB bus powered design, up to 100mA can be sourced from the 5V supply and applied to the USB bus. A maximum of 500mA can be sourced from the USB bus in a high power USB bus powered design. Currents up to 1A can be sourced from a dedicated charger and applied to the USB bus.
J2-3	VCC	Power Input	5V power input for FT201X. For power supply configuration details see section 5.
J2-4	CBUS3	I/O	Configurable CBUS I/O Pin. Function of this pin is configured in the IC's internal MTP ROM. See CBUS signal options, Table 4.2.
J2-5	CBUS2	I/O	Configurable CBUS I/O Pin. Function of this pin is configured in the IC's internal MTP ROM. See CBUS signal options, Table 4.2.
J2-6	CBUS1	I/O	Configurable CBUS I/O Pin. Function of this pin is configured in the IC's internal MTP ROM. See CBUS signal options, Table 4.2.
J2-7	CBUS0	I/O	Configurable CBUS I/O Pin. Function of this pin is configured in the IC's internal MTP ROM. See CBUS signal options, Table 4.2.

**Table 4.1 – Module PinOut Description**

### 4.3 CBUS Signals Options

The following options can be configured on the CBUS I/O pins. These options are all configured in the internal MTP ROM using the utility software FT\_PROG, which can be downloaded from the [www.ftdichip.com](http://www.ftdichip.com). The default configuration is described in [Section 9](#).

CBUS Signal Option	Available On CBUS Pin	Description
Tristate	CBUS0 - CBUS5	IO Pad is tri-stated
DRIVE_1	CBUS0 - CBUS5	Output a constant 1
DRIVE_0	CBUS0 - CBUS5	Output a constant 0
PWREN#	CBUS0 - CBUS5	Output is low after the device has been configured by USB, then high during USB suspend mode. This output can be used to control power to external logic P-Channel logic level MOSFET switch. <b>NOTE:</b> This function is driven by an open-drain to ground with no internal pull-up, this is specially designed to aid battery charging applications. UMFT201XE connects an on-board 47K pull-up on each CBUS and DBUS signal.
TXLED#	CBUS0 - CBUS5	Transmit data LED drive – pulses low when transmitting data via USB.
RXLED#	CBUS0 - CBUS5	Receive data LED drive – pulses low when receiving data via USB.
TX&RXLED#	CBUS0 - CBUS5	LED drive – pulses low when transmitting or receiving data via USB.
SLEEP#	CBUS0 - CBUS5	Goes low during USB suspend mode. Typically used to power down an external TTL to RS232 level converter IC in USB to RS232 converter designs.
CLK24MHz	CBUS0 - CBUS5	24 MHz Clock output.**
CLK12MHz	CBUS0 - CBUS5	12 MHz Clock output.**
CLK6MHz	CBUS0 - CBUS5	6 MHz Clock output.**
GPIO	CBUS0, CBUS1, CBUS2, CBUS3	CBUS bit bang mode option. Allows up to 4 of the CBUS pins to be used as general purpose I/O. Configured individually for CBUS0, CBUS1, CBUS2 and CBUS3 in the internal MTP ROM. A separate application note, <a href="#">AN232R-01</a> , available from <a href="http://www.ftdichip.com">FTDI website (www.ftdichip.com)</a> describes in more detail how to use CBUS bit bang mode.
BCD_Charger	CBUS0 - CBUS5	Battery charge Detect, indicates when the device is connected to a dedicated battery charger host. Active high output.
BCD_Charger#	CBUS0 - CBUS5	Inverse of BCD Charger
BitBang_WR#	CBUS0 - CBUS5	Synchronous and asynchronous bit bang mode WR# strobe output.
BitBang_RD#	CBUS0 - CBUS5	Synchronous and asynchronous bit bang mode RD# strobe output.
I2C_TXE	CBUS0 - CBUS5	Transmit buffer empty, used to indicate to I2C master device status of the FT201X transmit buffer
I2C_RXF	CBUS0 - CBUS5	Receive buffer full, used to indicate to I2C master device status of FT201X receive buffer
VBUS_Sense	CBUS0 - CBUS5	Input to detect when VBUS is present.
Time_Stamp	CBUS0 - CBUS5	Toggle signal which changes state each time a USB SOF is received
Keep_Awake#	CBUS0 - CBUS5	Active Low input, prevents the chip from going into suspend.

**Table 4.2 – CBUS Signal Options**

\*\*When in USB suspend mode the outputs clocks are also suspended.

## 5 Module Configurations

### 5.1 Solder Link Configuration Options

Solder Link No.	Setting	Status	Description
JP1	Shorted	Default	Connects internal 3.3V regulator to VCCIO. This restricts signal drive to only 3.3V level signals.
JP1	Opened	Non-Default	Disconnects internal 3.3V regulator connection to VCCIO. This mode allows for the supply of 1.8V-3.3V power from an external power supply, thus allows the processing of signals with logic levels between 1.8V and 3.3V. VCCIO can be adjusted to match the interface requirements of external circuitry.

**Table 5.1 – Solder Links JP1 Pin Description**

Solder Link No.	Setting	Status	Description
JP2	Shorted	Default	Connects VBUS to VCC. This mode is known as “USB-Powered” mode.
JP2	Opened	Non-Default	Disconnects VBUS to VCC. This allows the supply of power from an external power supply. This mode is known as “Self-Powered” mode.

**Table 5.2 – Solder Links JP2 Pin Description**

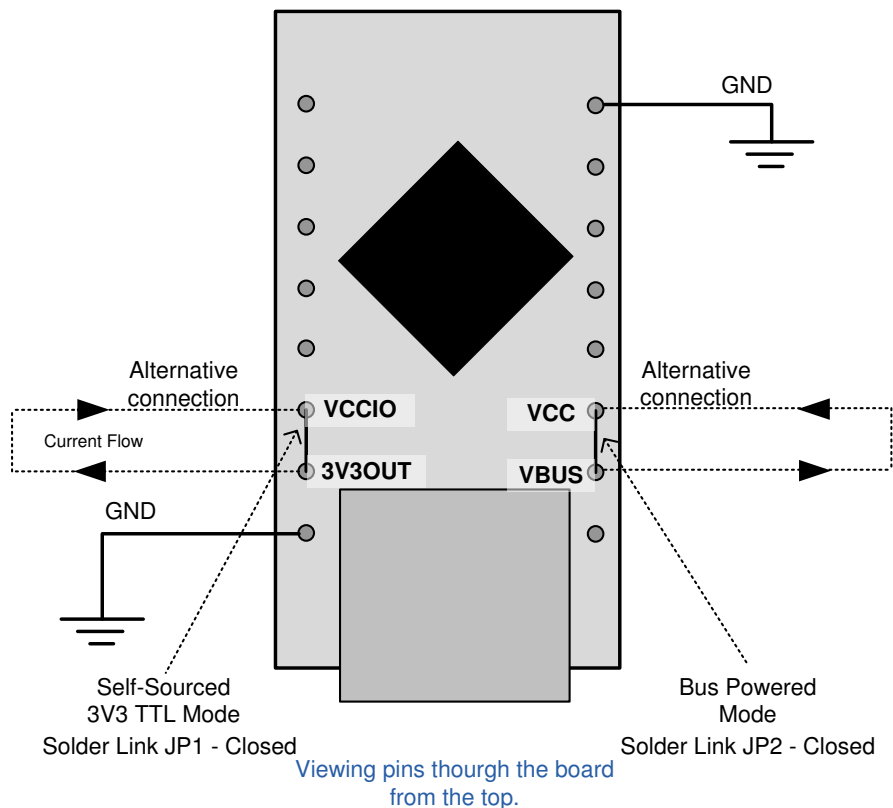
**Note:** There should never be more than one power output supplied to the same net. Failure to properly remove solder from JP1 and JP2 can cause a direct short between two different power supplies (when a self-powered set-up is applied and the USB bus is connected) resulting in damage to the UMFT201XA module and the target circuit.

### 5.2 Solder Link Modifications

The UMFT201XA has two solder links fixed to the top side of the PCB. These solder link can be adjusted by removing the solder linking the two PADS to produce an open or by placing a solder bridge to produce a short.

By default the UMFT201XA has both solder links shorting their pads. To allow for enhanced flexibility of this module remove both solder links and wire the header pins according to the power setup required.

### 5.3 BUS Powered Configuration



**Figure 5.1 – Bus Powered Configuration**

A bus powered configuration draws its power from the USB host/hub. The UMFT201XA is configured by default to be in bus powered mode.

Figure 5.1 illustrates the UMFT201XA module in a typical USB bus powered design configuration. By default, solder bridge connections link VCCIO to 3V3OUT, and VCC to VBUS. (Note that Figure 5.1 is for illustration only and that the pins do not actually go all the way through the PCB)

For a bus power configuration power is supplied from the USB VBUS:

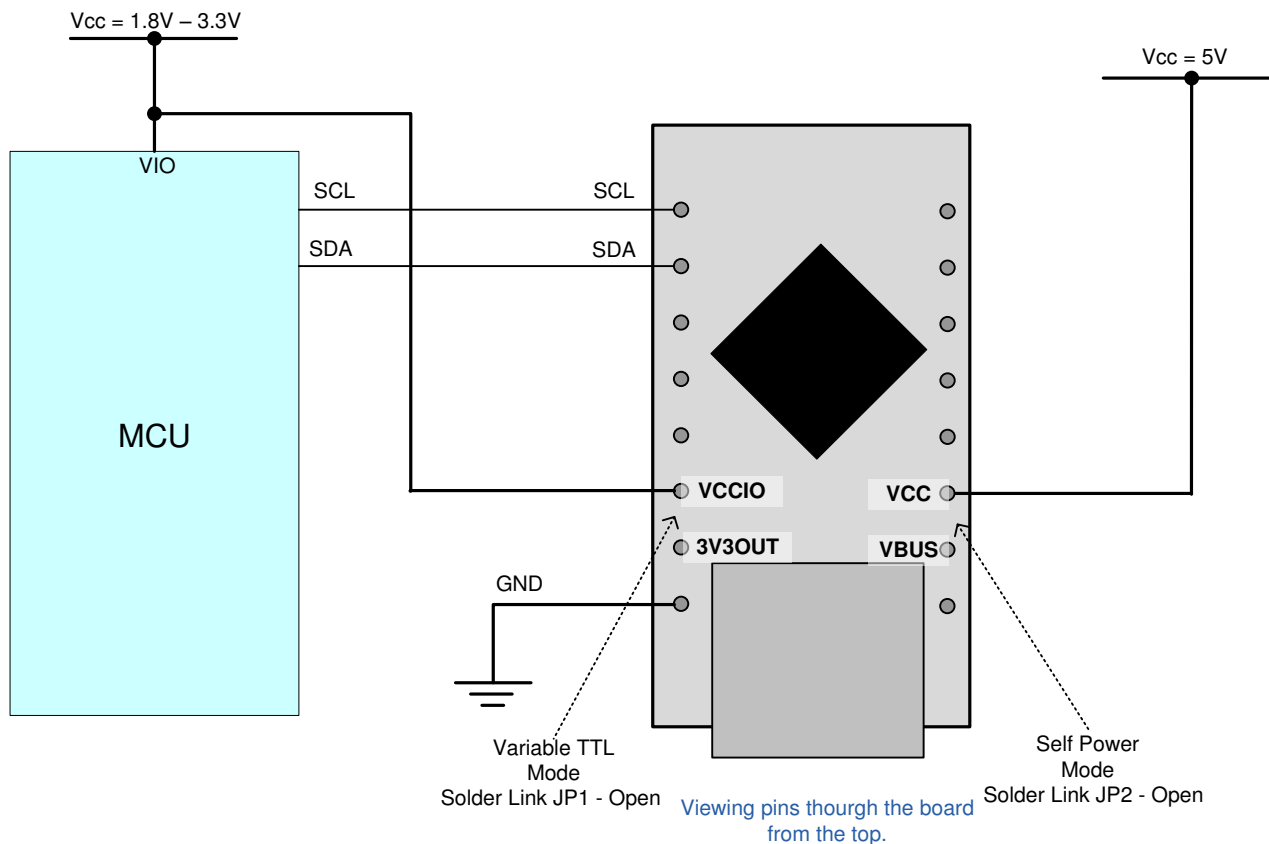
- +5V VBUS power is sourced from the USB bus and is connected to the FT201X power input (VCC)

- +3.3V power is sourced from the FT201X’s voltage regulator output and is connected to the FT201X IO port’s power input (VCCIO).

Interfacing the UMFT201XA module to a microcontroller (MCU), or other logic devices for bus powered configuration is done in exactly the same way as a self-powered configuration (see Section 5.3), except that it is possible for the MCU or external device to take its power supply from the USB bus (either the 5V from the USB pin, or 3.3V from the 3V3OUT pin).



## 5.4 Self Powered Configuration



**Figure 5.2 – Self-Powered Configuration**

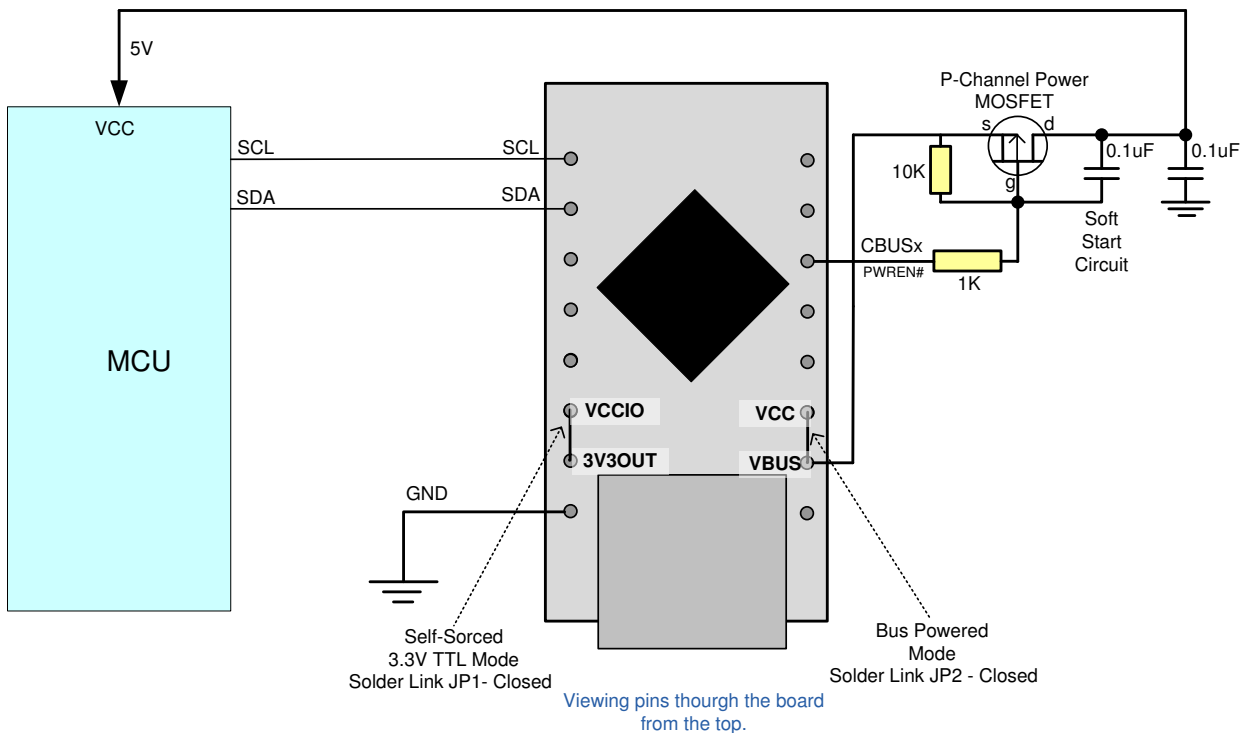
A self-powered configuration operates on the principle of drawing power from an external power supply, as opposed to drawing power from the USB host. In this configuration no current is drawn from the USB bus.

Figure 5.2 illustrates the UMFT201XA in a typical USB self-powered configuration. In this case the solder link connection of JP1 is removed, which allows 5V power to be supplied to the module VCC pins from an external source. VCCIO can be powered from 3V3OUT or the VCC of an external source. (Note that Figure 5.2 is for illustration only and that the pins do not actually go all the way through the PCB)

For a self-powered configuration, it is necessary to prevent current from flowing back to the USB data lines when the connected USB host or hub has powered down. To carry out this function the UMFT201XA uses an on-board voltage divider network connected to the USB power bus and RESET# pin. This operates on the principle that when no power is supplied to the VBUS line, the FT201X will automatically be held in reset by a weak pull-down, when power is applied the voltage divider will apply a weak 3.3V pull-up. Driving a level to the RESET# pin of the UMFT201XA will override the effect of this voltage divider. When the FT201X is in reset the USB DP signal pull-up resistor connected to the data lines is disconnected and no current can flow down the USB lines.

An example of interfacing the FT201X with a Microcontroller's I<sup>2</sup>C interface is also illustrated in Figure 5.2.

## 5.5 USB Bus Powered with Power Switching Configuration



**Figure 5.3 – Bus Powered with Power Switching Configuration**

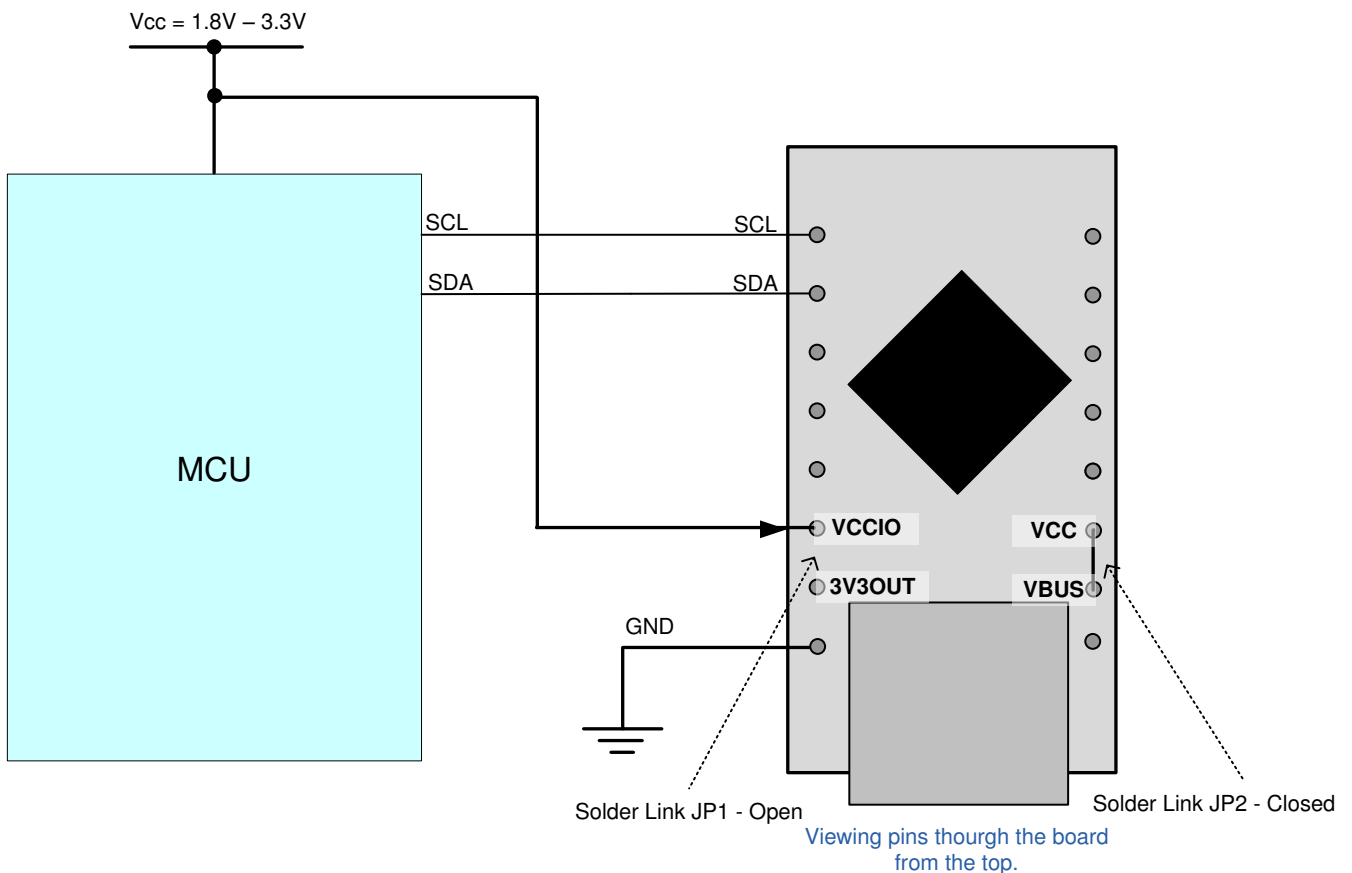
USB bus powered mode is introduced in Section 5.3. This section describes how to use bus-powered mode with a power switch.

USB bus powered circuits are required by USB compliance standards to consume less than 2.5mA (and less than 100mA when not enumerated and not suspended) when connected to a host or hub in USB suspend mode. The PWREN# CBUS function can be used to remove power from external circuitry whenever the FT201X is not enumerated. (Note: It is impossible to be in suspended mode when enumerated.) (Note that Figure 5.3 is for illustration only and that the pins do not actually go all the way through the PCB)

To implement a power switch using PWREN#, configure a P-Channel Power MOSFET to have a soft start by fitting a 10K pull-up, a 1K series resistor and a 100nF cap as shown in Figure 5.3.

Connecting the source of the P-Channel MOSFET to 3V3OUT instead of VBUS can allow external logic to source 3.3V power from the FT201X without breaking USB compliance. In this setup it is important that the VCCIO is not sourced from the drain of this MOSFET, this is because the power used to drive the gate of this transistor is sourced from VCCIO. VCCIO should be connected directly to 3V3OUT for this setup to function effectively. It is also important that the external logic must and IO core of the FT201X must not draw more than 50mA, this is because the current limit of the internal 3.3V regulator is 50mA.

## 5.6 Variable IO Voltage Supply



**Figure 5.4 – USB Bus Powered 3.3V Logic Drive**

The FT201X can process signals at CMOS/TTL logic levels in the range of 1.8V to 3.3V. This section describes how to utilise this feature.

Figure 5.4 shows a configuration where the FT201X is interfaced to a device with IOs operating in the range of 1.8V - 3.3V. The IO ports of this module need to be powered with a voltage level that is equal to the level of the signals it is processing. Since the FT201X's embedded voltage regulator only outputs 3V3 the IO ports will need to be powered from another power source when operating at voltage levels other than 3.3V.

By default, a short is present between 3V3OUT (embedded voltage regulator) and VCCIO (IO port's power input) by solder links JP1. If an external power supply is used to power the IO ports this solder links needs to be open. This can be done by removing the solder linking the two pads of the solder links.

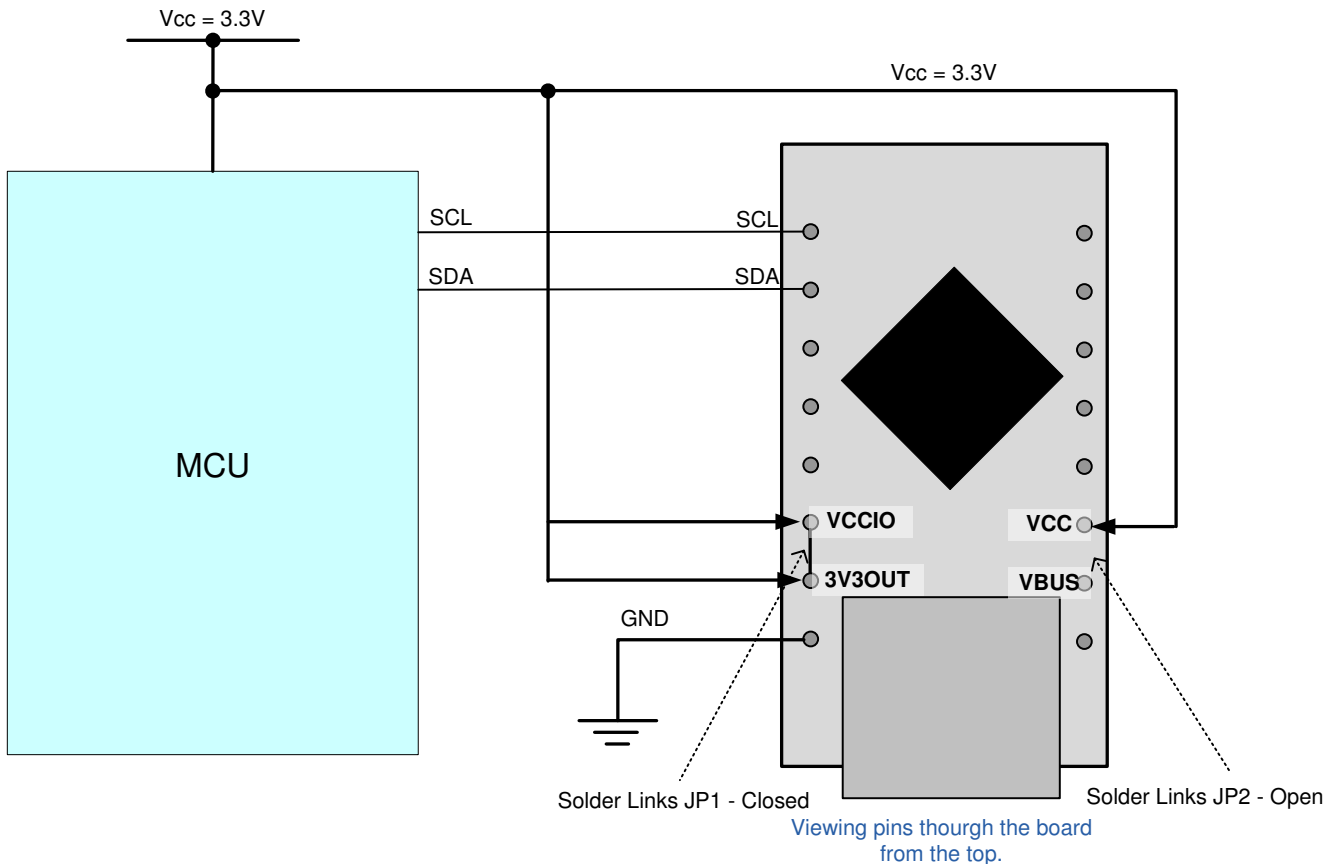
The configuration described in this section can be implemented in either bus-powered mode or self-powered mode.

Note 1: The CBUS and DBUS pins are 5V tolerant; however these signals cannot drive signals at 5V TTL/CMOS. VCCIO is not 5V tolerant; applying 5V to VCCIO will damage the chip.

Note 2: If power is applied to VCCIO and no power is applied to VCC all IOs will be at an unknown state, this however will not damage the chip. The FT201X also has protective circuitry to prevent the chip being damaged by a voltage discrepancy between VCCIO and the level of the signal being processed.

Note 3: When using VCCIO less than 3V3 on a chip from FTDI's X-chip range, it is recommended to use pull up resistors (47K) to VCCIO on the data lines, all of the UMFT2xxXA devices include an on-board pull-up for these lines.

## 5.7 3.3V Voltage Supply



**Figure 5.5 – USB Self Powered 3.3V Logic Drive**

The FT201X can be powered from a single 3.3V supply. This feature is an alternative to having the FT201X powered at 5V in standard self-powered configuration.

The 3.3V Self Powered configuration is illustrated in Figure 5.5. Note that the 3.3V input is connected to VCC, VCCIO and 3V3OUT.

(Note that Figure 5.5 is for illustration only and that the pins do not actually go all the way through the PCB)

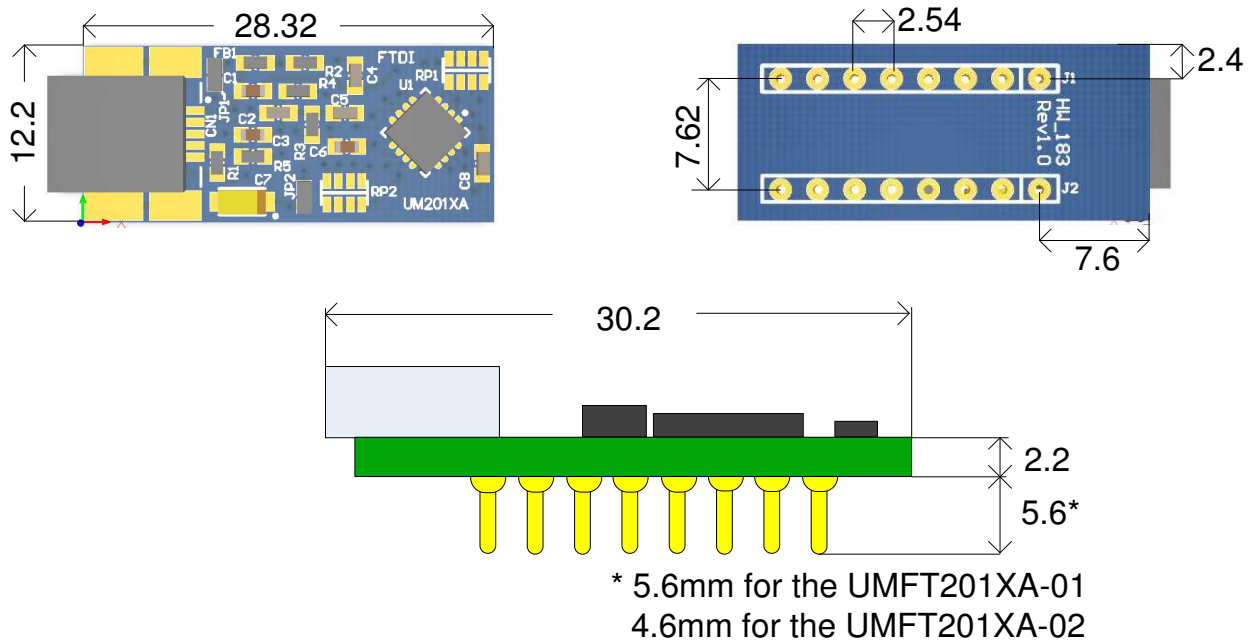
## 5.8 Configuring the MTP ROM

The FT201X contains an embedded MTP ROM. This can be used to configure the functions of each CBUS pin, the current drive on each signal pin, current limit for the USB bus and the other descriptors of the device. For details on using the MTP ROM/EEPROM programming utility FT\_PROG, please see the FT\_PROG User Guide [and the FT201X datasheet](#).

When programming the MTP ROM please note:

- i) One of the CBUS Pins can be configured as PWREN# in the internal MTP ROM. This can be used to switch the power supply to the external circuitry.
- ii) The Max Bus Power setting of the MTP ROM should specify the maximum current to be drawn from the USB host/hub when enumerated. For high-powered USB devices the current limit when enumerated is between 100mA and 500mA, for low-powered USB devices the current limit is 100mA.

## 6 Module Dimensions

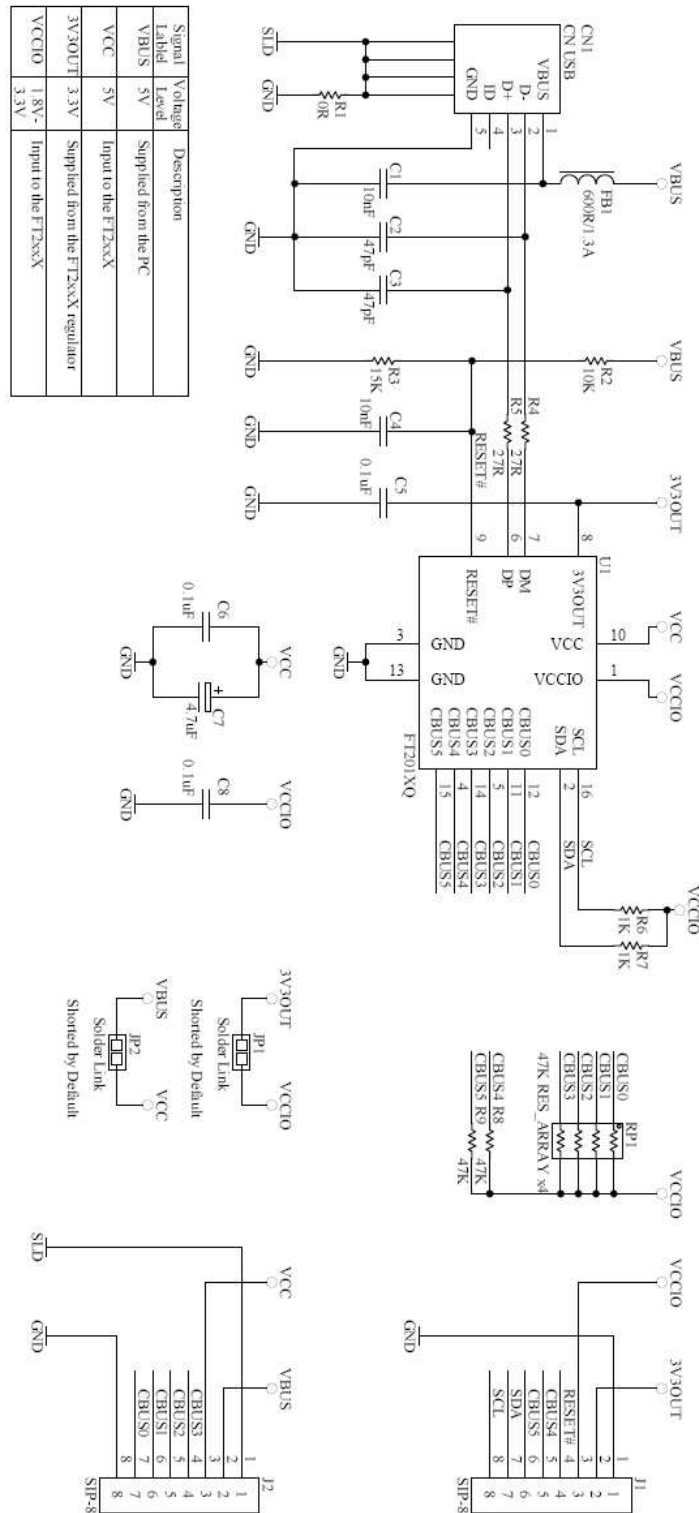


**Figure 6.1 – UMFT201XA Module Dimensions**

All dimensions are given in millimetres.

The UMFT201XA module exclusively uses lead free components, and is fully compliant with European Union directive 2002/95/EC.

## 7 UMFT201XA Module Circuit Schematic



**Figure 7.1 – Module Circuit Schematic**

## 8 Internal MTP ROM Configuration

Following a power-on reset or a USB reset the FT201X will scan its internal MTP ROM and read the USB configuration descriptors stored there. The default values programmed into the internal MTP ROM in the FT201XQ used on the UMFT201XA are shown in Table 8.1.

Parameter	Value	Notes
USB Vendor ID (VID)	0403h	FTDI default VID (hex)
USB Product UD (PID)	6015h	FTDI default PID (hex)
Binary Code Decimal (BCD)	1000h	FTDI default BCD (hex)
Serial Number Enabled?	Yes	
Serial Number	See Note	A unique serial number is generated and programmed into the MTP ROM during final test of the module.
Pull down I/O Pins in USB Suspend	Disabled	Enabling this option will make the device pull down on the I <sup>2</sup> C interface lines when the power is shut off (PWREN# is high).
Manufacturer Name	FTDI	
Product Description	UMFT201XA	
Max Bus Power Current	90mA	
Power Source	Bus Powered	
Device Type	FT201X	
USB Version	0200	Returns USB 2.0 device description to the host. Note: The device is a USB 2.0 Full Speed device (12Mb/s) as opposed to a USB 2.0 High Speed device (480Mb/s).
Remote Wake Up	Enabled	Taking RI# low will wake up the USB host controller from suspend.
High Current I/Os	Disabled	Enables the high drive level on the I <sup>2</sup> C and CBUS I/O pins.
Load VCP Driver	Enabled	Makes the device load the CVP driver interface for the device.
CBUS0	GPIO	
CBUS1	GPIO	
CBUS2	GPIO	
CBUS3	GPIO	
CBUS4	Tristate	
CBUS5	Tristate	

**Table 8.1 – Default Internal MTP ROM Configuration**

The internal MTP ROM in the FT201X can be programmed over USB using the utility program FT\_PROG. FT\_PROG can be downloaded from the [www.ftdichip.com](http://www.ftdichip.com). Users who do not have their own USB vendor ID but who would like to use a unique Product ID in their design can apply to FTDI for a free block of unique PIDs. Contact [FTDI Support](mailto:support1@ftdichip.com) (support1@ftdichip.com) for this service, also see [TN\\_100](#) and [TN\\_101](#).

## 9 Contact Information

### Head Office – Glasgow, UK

Future Technology Devices International Limited  
Unit 1, 2 Seaward Place, Centurion Business Park  
Glasgow G41 1HH  
United Kingdom  
Tel: +44 (0) 141 429 2777  
Fax: +44 (0) 141 429 2758

E-mail (Sales) [sales1@ftdichip.com](mailto:sales1@ftdichip.com)  
E-mail (Support) [support1@ftdichip.com](mailto:support1@ftdichip.com)  
E-mail (General Enquiries) [admin1@ftdichip.com](mailto:admin1@ftdichip.com)

### Branch Office – Hillsboro, Oregon, USA

Future Technology Devices International Limited (USA)  
7235 NW Evergreen Parkway, Suite 600  
Hillsboro, OR 97123-5803  
USA  
Tel: +1 (503) 547 0988  
Fax: +1 (503) 547 0987

E-Mail (Sales) [us.sales@ftdichip.com](mailto:us.sales@ftdichip.com)  
E-Mail (Support) [us.support@ftdichip.com](mailto:us.support@ftdichip.com)  
E-Mail (General Enquiries) [us.admin@ftdichip.com](mailto:us.admin@ftdichip.com)

### Branch Office – Taipei, Taiwan

Future Technology Devices International Limited (Taiwan)  
2F, No. 516, Sec. 1, NeiHu Road  
Taipei 114  
Taiwan, R.O.C.  
Tel: +886 (0) 2 8791 3570  
Fax: +886 (0) 2 8791 3576

E-mail (Sales) [tw.sales1@ftdichip.com](mailto:tw.sales1@ftdichip.com)  
E-mail (Support) [tw.support1@ftdichip.com](mailto:tw.support1@ftdichip.com)  
E-mail (General Enquiries) [tw.admin1@ftdichip.com](mailto:tw.admin1@ftdichip.com)

### Branch Office – Shanghai, China

Future Technology Devices International Limited (China)  
Room 1103, No. 666 West Huaihai Road,  
Shanghai, 200052  
China  
Tel: +86 (0)21 6235 1596  
Fax: +86 (0)21 6235 1595

E-mail (Sales) [cn.sales@ftdichip.com](mailto:cn.sales@ftdichip.com)  
E-mail (Support) [cn.support@ftdichip.com](mailto:cn.support@ftdichip.com)  
E-mail (General Enquiries) [cn.admin@ftdichip.com](mailto:cn.admin@ftdichip.com)

### Web Site

<http://ftdichip.com>

### Distributor and Sales Representatives

Please visit the Sales Network page of the [FTDI Web site](#) for the contact details of our distributor(s) and sales representative(s) in your country.

System and equipment manufacturers and designers are responsible to ensure that their systems, and any Future Technology Devices International Ltd (FTDI) devices incorporated in their systems, meet all applicable safety, regulatory and system-level performance requirements. All application-related information in this document (including application descriptions, suggested FTDI devices and other materials) is provided for reference only. While FTDI has taken care to assure it is accurate, this information is subject to customer confirmation, and FTDI disclaims all liability for system designs and for any applications assistance provided by FTDI. Use of FTDI devices in life support and/or safety applications is entirely at the user's risk, and the user agrees to defend, indemnify and hold harmless FTDI from any and all damages, claims, suits or expense resulting from such use. This document is subject to change without notice. No freedom to use patents or other intellectual property rights is implied by the publication of this document. Neither the whole nor any part of the information contained in, or the product described in this document, may be adapted or reproduced in any material or electronic form without the prior written consent of the copyright holder. Future Technology Devices International Ltd, Unit 1, 2 Seaward Place, Centurion Business Park, Glasgow G41 1HH, United Kingdom. Scotland Registered Company Number: SC136640



---

## **Appendix A - List of Figures and Tables**

### **List of Figures**

<b>Figure 4.1 – Module Pin Out .....</b>	<b>4</b>
<b>Figure 5.1 – Bus Powered Configuration .....</b>	<b>8</b>
<b>Figure 5.2 – Self-Powered Configuration .....</b>	<b>9</b>
<b>Figure 5.3 – Bus Powered with Power Switching Configuration .....</b>	<b>10</b>
<b>Figure 5.4 – USB Bus Powered 3.3V Logic Drive .....</b>	<b>11</b>
<b>Figure 5.5 – USB Self Powered 3.3V Logic Drive .....</b>	<b>12</b>
<b>Figure 6.1 – UMFT201XA Module Dimensions .....</b>	<b>13</b>
<b>Figure 7.1 – Module Circuit Schematic.....</b>	<b>14</b>

### **List of Tables**

<b>Table 4.1 – Module PinOut Description .....</b>	<b>5</b>
<b>Table 4.2 – CBUS Signal Options.....</b>	<b>6</b>
<b>Table 5.1 – Solder Links JP1 Pin Description.....</b>	<b>7</b>
<b>Table 5.2 – Solder Links JP2 Pin Description.....</b>	<b>7</b>
<b>Table 8.1 – Default Internal MTP ROM Configuration .....</b>	<b>15</b>

## Appendix B – Revision History

Document Title: UMFT201XA  
Document Reference No.: FT\_000516  
Clearance No.: FTDI# 266  
Product Page: <http://www.ftdichip.com/FT-X.htm>  
Document Feedback: [Send Feedback](#)

<b>Version 1.0</b>	Initial Datasheet Created	09/02/12
<b>Version 1.1</b>	Added links, referances to silicon revision, TID and logos.	13/06/12