

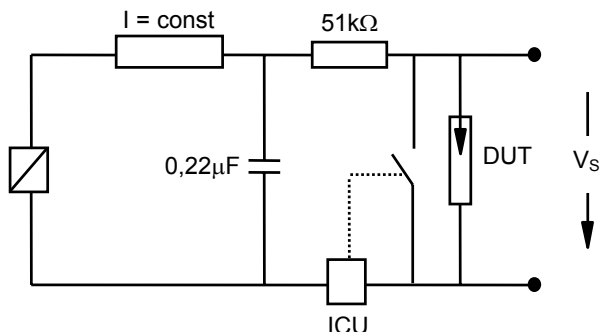
Nominal breakdown voltage $V_N$	1000	V
Initial values <sup>2)</sup>		
Static breakdown voltage $V_S$ <sup>1)</sup>		
First ignition value $V_{S, FTE}$ after 24 hours in darkness	$\leq 1150$	V
Following ignition values $V_{S, FIV}$	900 ... 1130	V
Electrical life time <sup>3)</sup>		
Breakdown voltage $V_B$		
First ignition value $V_{B, FTE}$ after 24 hours in darkness	$\leq 1400$	V
Ignition time $t_i$ at $V_0$ during life	$\leq 60$	ms
Following ignition values $V_{B, FIV}$	850 ... 1150	V
Switching operations		
at $-40\text{ }^\circ\text{C}$	40 000	Ignitions
at $+25; +125\text{ }^\circ\text{C}$	100 000	Ignitions
Test circuit parameters		
Open circuit voltage $V_0$	1400	V
Loading resistance R	110	k $\Omega$
Discharge capacitance C	68	nF
Inductance L	0.5	$\mu\text{H}$
Discharge peak current $I_P$	$\sim 400$	A
General technical data		
Insulation resistance at 100 V	$> 100$	M $\Omega$
Early ignition values between 600 ... 850 V	$\leq 1$	%
Breakdown time	$\leq 50$	ns
Maximum switching frequency	400	Hz
Maximum loading current	50	mA
Weight	$\sim 2$	g
Marking, blue	<b>EPCOS 1000 WWY O</b> 1000 - Nominal voltage WW - Calendar week of production Y - Year of production O - Non radioactive	

<sup>1)</sup> At delivery AQL 0,65 level II, DIN ISO 2859

<sup>2)</sup> Page 2, Fig. 1 and 2

<sup>3)</sup> Page 2, Fig. 3 and 4

Fig. 1: QC- test circuit (100% outgoing inspection)



DUT device under test  
 ICU ignition control unit (sensitivity 10 .. 30 µA)  
 Discharge current 10 – 20 mA

Fig. 2: Explanation of measurands

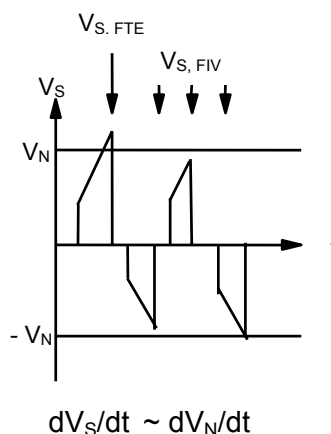


Fig. 3: QC- test circuit (sampling inspection at 25 °C)

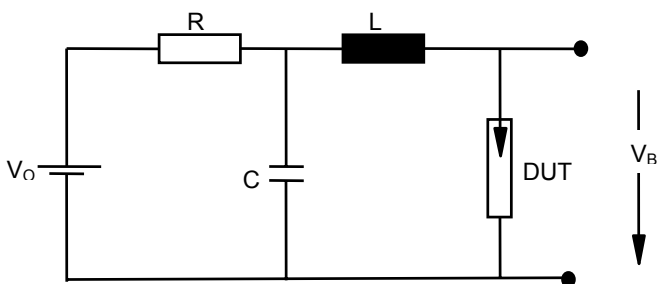
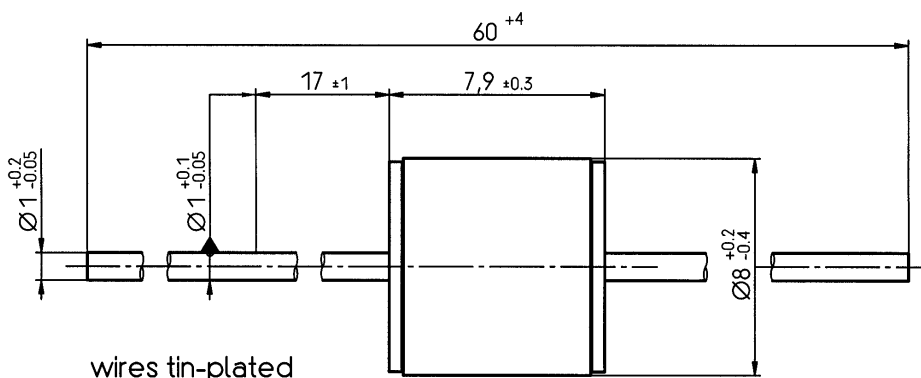
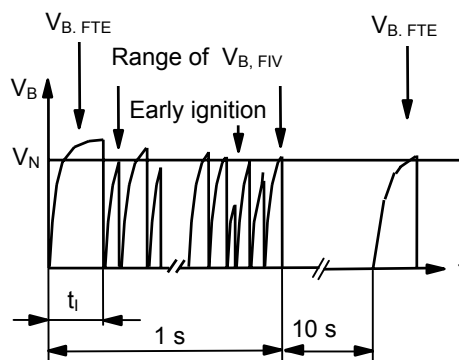


Fig. 4: Explanation of measurands



Not to scale  
 Dimensions in mm  
 Non controlled document

© EPCOS AG 2002. Reproduction, publication and dissemination of this data sheet, enclosures hereto and the information contained therein without EPCOS' prior express consent is prohibited.

Purchase orders are subject to the General Conditions for the Supply of Products and Services of the Electrical and Electronics Industry recommended by the ZVEI (German Electrical and Electronic Manufacturers' Association), unless otherwise agreed.