

T-Series



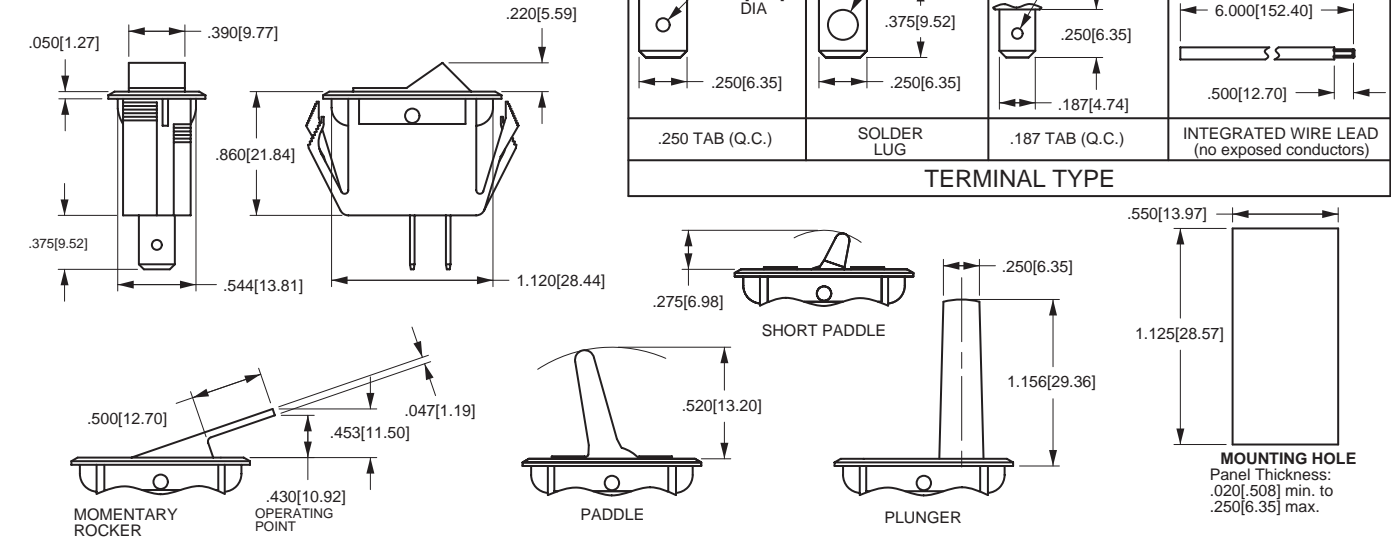
The T-Series Mini Tippette snap-in rocker switches are single pole with ratings up to 20 amps. A variety of circuits, actuators and terminations are available.

Specifications

- Certifications*: UL, CSA, VDE
- Dielectric Strength: 1,000 V (minimum)
- Insulation Resistance: 100 Megohms (minimum)
- Base Material: Nylon
- Actuator Material: Nylon
- Bezel Material: Nylon

* Due to ongoing technological advances, consult factory for certification specifics.

Dimensional Specifications: in. [mm]



SERIES	RATING ¹	TERMINATION/FUNCTION	ACTUATOR COLOR ³
T SINGLE POLE	10 5A 250VAC 10A 125VAC 1/2HP 125-250VAC	FUNCTION ON-NONE-OFF 0 (ON)-NONE-OFF A ON-NONE-(OFF) L ON-NONE-ON 0 ON-NONE-(ON) A ON-OFF-ON 0	B BLACK W WHITE
CIRCUIT	11 5A 250VAC 10A 125VAC 5A (TUNGSTEN) 125VAC L	SOLDER LUG TAB (QC) TAB (QC) WIRE LEAD	BASE COLOR³ B BLACK W WHITE
A ON-NONE-OFF B ON-NONE-ON C ON-OFF-ON	20 10A 250VAC 15A 125VAC 3/4HP 125-250VAC 22 10A 250VAC 15A 125VAC 20A 125-250VAC H 3/4HP 125-250VAC 25 10A 250VAC 16A 125VAC 1/2HP 125-250VAC	ACTUATOR STYLE² P PADDLE PL PLUNGER PS PADDLE - SHORT T ROCKER TL MOMENTARY ROCKER	

NOTES:
 Shading indicates standard configurations. Stainless steel bezels are available. Add suffix "Bezel" to the end of the catalog number. (ex. TA201-TB-B/BEZEL)
 Imprinting is available. Please specify when ordering. (ex. TA201-TB-B/ON-OFF)
 Panel Cut-Out Recommendations: For sheet metal panels, switch must enter panel in same direction as the punch. (Burr on bottom.) Test cut hole in actual material.
 1 Rating Code 22 is 20A 125VAC inductive when momentary function is specified. Rating Code 22 only available with circuits A & B. Rating Code 25 only available with PL-Plunger actuator.
 2 PL-Plunger actuator available only in T Series with circuit A, termination/function B or F, and terminals at T1 and 2.
 3 Custom colors are available. Consult factory.