

### LTIL-Series



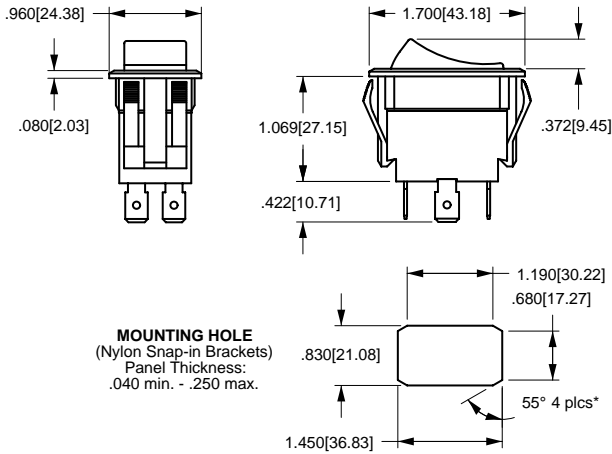
The LTIL-Series Tippette rocker switches are lighted, single pole and available with AC ratings to 17 amps. These switches are also suitable for low voltage DC applications. A variety of circuits, colors, terminations and lamp voltages are available.

### Specifications

- Certifications\*: UL, CSA
- Dielectric Strength: 1,000V (minimum)
- Insulation Resistance: 100 Megohms (minimum)
- Base Material: Phenolic
- Actuator Material: Nylon
- Bezel Material: Nylon or Steel

\* Due to ongoing technological advances, consult factory for certification specifics.

### Dimensional Specifications: in. [mm]



**MOUNTING HOLE**  
(Nylon Snap-in Brackets)  
Panel Thickness:  
.040 min. - .250 max.

 .125[3.18] DIA .330[8.38] .187[4.74]	 .075[1.91] DIA .437[11.09] .250[6.35]	 .055[1.40] DIA .394[10.00] .187[4.74]
SOLDER LUG	.250 TAB (Q.C.)	.187 TAB (Q.C.)
<b>TERMINAL TYPE</b>		
 #6-32NC-2 THREAD .370[9.39] .286[7.26] .141[3.58]	 6.000[152.40] .500[12.70]	 .187[4.75] .187[4.75] .350[8.89]
SCREW (ASSEMBLED)	WIRE LEAD	PRINTED CIRCUIT

\*Angled corners are suggested for optimum fit. Standard rectangular cutout is acceptable.

## LTIL A 5 1 - 6S - BL - RC - NBL/ 125N

### SERIES

LTIL SINGLE POLE  
LIGHTED IN  
DOUBLE POLE  
BASE

### CIRCUIT

- A ON-NONE-OFF
- B ON-NONE-ON
- C ON-OFF-ON

### NOTES:

Shading indicates standard configurations.  
Panel Cut-Out Recommendations: For sheet metal panels, switch must enter panel in same direction as the punch. (Burr on bottom.) Test cut hole in actual material.

- 1 Imprinting available on smooth face rockers. Other actuator styles available. Consult factory.
- 2 Glossy finish is standard. Custom colors are available. Consult factory.
- 3 Green and blue lenses are not recommended with 125 volt or 250 volt neon lamps. For two different color lenses, please specify when ordering lens color. (ex.) RC/GN
- 4 Barbs are available on FN style bracket to accommodate panel thickness of .062, .100, .125, .156 and .250. Specify after bracket selection. (ex.) FN/125  
MBL, NBL & WBL brackets are molded in black. If white is desired, specify as MWH, NWH & WWH. FN and FW brackets have a nickel-plated finish. Additional finishes are available; specify as follows: stainless steel: FN/SS; chrome: FN/CHR; black oxide: FW/BLK. FW bracket not available in stainless steel.  
Bracket style MBL consists of LNP rocker, neoprene seal, syntech grease, dummy rivets.  
MBL does not have UL & CSA approvals.
- 5 Actuator & Bracket Finish is a matched set.

### RATING

- 5 10A 250VAC  
15A 125VAC  
1/2HP 125-250VAC
- 6 3A 250VAC  
6A 125VAC  
1/4HP 125-250VAC
- 7 12A 250VAC  
17A 125VAC  
3/4HP 125VAC  
1HP 250VAC

### ACTUATOR STYLE<sup>1</sup>

- 1C CROSS SERRATED
- 1L LONG LINED
- 1S SMOOTH ANGLED
- 6M<sup>5</sup> MATTE CURVED (M, N OR W BRACKETS ONLY)
- 6S SMOOTH CURVED (M, N & W BRACKETS ONLY)
- 7S TOGGLE

### ACTUATOR COLOR<sup>2</sup>

- BL BLACK
- WH WHITE

### LENS COLOR<sup>3</sup>

- AM AMBER
- CL CLEAR
- GN GREEN
- LU BLUE
- RC RED
- WH WHITE

### BRACKET STYLE<sup>4</sup>

- A
- B
- C
- FN NARROW
- FW WIDE
- MBL MARINE
- NBL
- WBL WATERSHEDDING

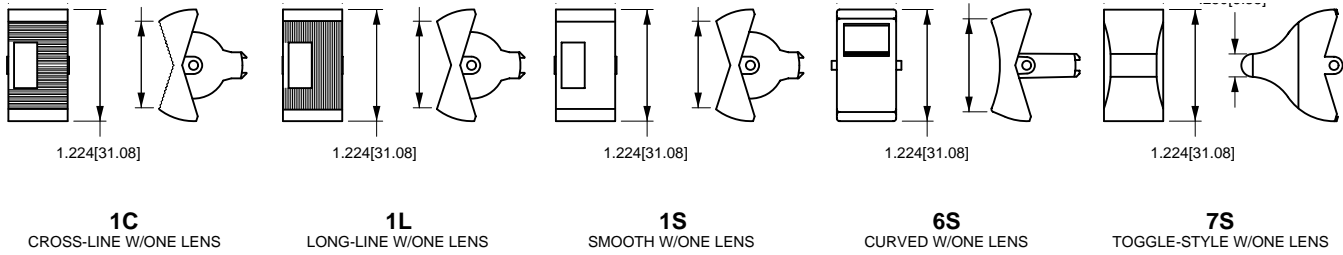
### LAMP VOLTAGE

- 6V 6 VOLT/ INCANDESCENT
- 12V 12 VOLT/ INCANDESCENT
- 18V 18 VOLT/ INCANDESCENT
- 24V 24 VOLT/ INCANDESCENT
- 28V 28 VOLT/ INCANDESCENT
- 125N 125 VOLT/ NEON
- 250N 250 VOLT/ NEON

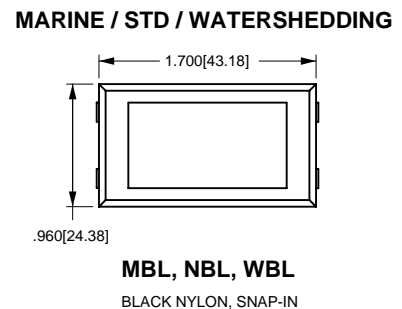
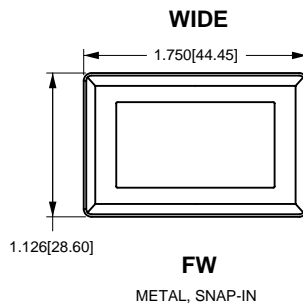
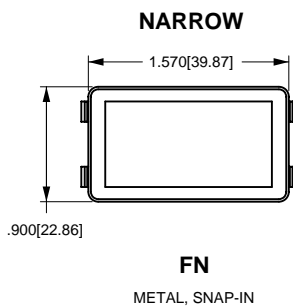
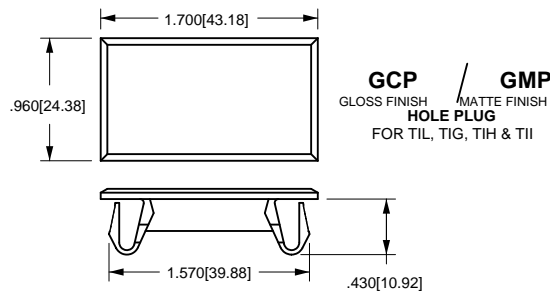
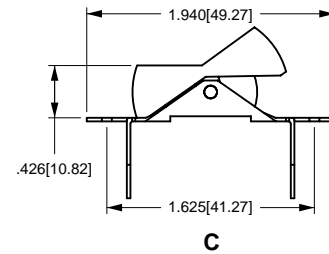
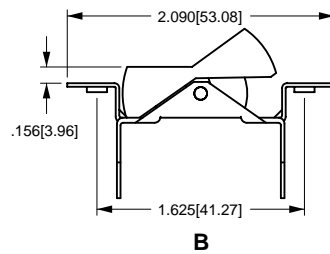
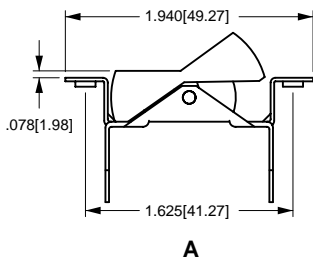
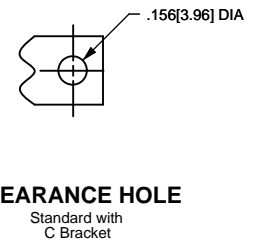
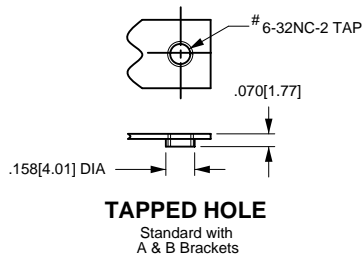
### TERMINATION/FUNCTION

FUNCTION	.250 SOLDER LUG	.187 TAB (QC)	.187 TAB (QC)	SCREW TERM.	WIRE LEAD	PC TERM.
ON-NONE-OFF	0	1	3	4	5	6
(ON)-NONE-OFF	A	B	D	E	F	G
ON-NONE-(OFF)	L	M	R	S	T	U
ON-NONE-ON	0	1	3	4	5	6
ON-NONE-(ON)	A	B	D	E	F	G
ON-OFF-ON	0	1	3	4	5	6
ON-OFF-(ON)	A	B	D	E	F	G
(ON)-OFF-(ON)	L	M	R	S	T	U

## Actuator Style/Dimensions: in. [mm]



## Bracket Dimensions: in. [mm]



### NOTES

Double brackets supplied on LTIH-Series when B style bracket is specified. Consult factory for dimensional information.