

# 651/652-Series

## Sub-Miniature Rocker Switches

This sub-miniature switch is ideal for applications with back panel size constraints. It fits in a standard rectangular cutout & is designed to provide ease of insertion along with superior panel retention qualities. A high profile rocker & butt-action contacts provide the user with a crisp positive-type feel & electrical ratings to 12A 125VAC 10A 250VAC. A variety of ratings, circuitry & termination choices will appeal to many market segments including Handheld Appliance, Power Supplies, Audio-Visual & Telecom.



**Carling Technologies®**

Innovative Designs. Powerful Solutions.

Innovative Designs. Powerful Solutions.

Carling Technologies, Inc.  
60 Johnson Avenue • Plainville, CT 06062-1177  
Phone: (860) 793-9281 • Fax: (860) 793-9231  
Email: [sales@carlingtech.com](mailto:sales@carlingtech.com) • [www.carlingtech.com](http://www.carlingtech.com)

### Dielectric Strength

UL/CSA:  
1000V-live to dead metal parts

### Electrical Life

100,000 cycles- maintained  
50,000 cycles- momentary  
50,000 cycles- T-rating

### Mechanical Life

100,000 cycles

### Operating Temperature

32°F to 185°F (0°C to 85°C)

**651** **122** - **B** **B** - **A** **N**

1 Series      2 Circuit/Rating/Termination      3 Actuator Color      4 Base Color      5 Legend      6 Visi-Rocker End/Legend Color

1 SERIES	
651 Matte Finish	652 Gloss Finish

4 BASE COLOR	
B Black	W White

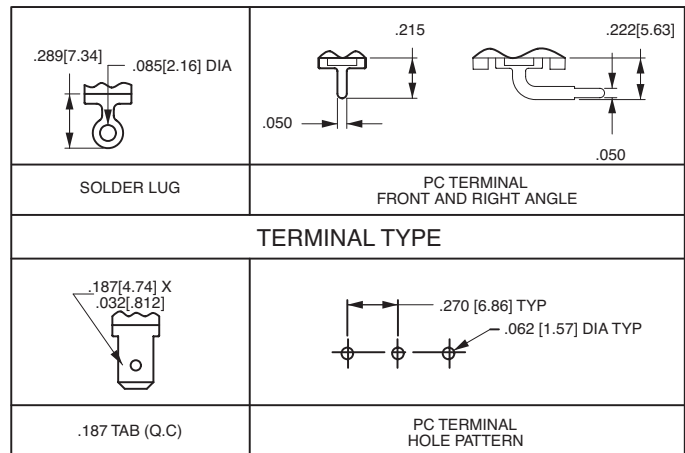
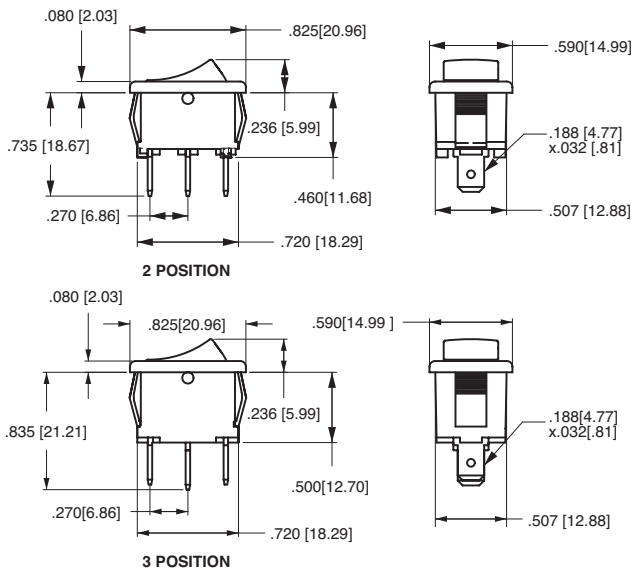
2 CIRCUITRY/RATING/TERMINATION					
10A 250VAC, 10A 125VAC, 1/4 HP, 125-250 VAC					
	.187	.187	PC	PC	Wire
	Solder Lugs	Tabs	Terms	Rt. Angle	Leads
ON-NONE-OFF	121	122	123	124	125
(ON)-NONE-OFF	261 <sup>1</sup>	262	263	264	265
ON-NONE-(OFF)	361 <sup>1</sup>	362	363	364	365
ON-NONE-ON	421	422	423	424	425
ON-NONE-(ON)	561 <sup>1</sup>	562	563	564	565
ON-OFF-ON	681 <sup>2</sup>	682	683	684	686
ON-OFF-(ON)	781 <sup>2</sup>	782	783	784	785
(ON)-OFF-(ON)	881 <sup>2</sup>	882	883	884	885

5 ROCKER LEGEND		
	molded in <sup>4</sup>	hot stamp
NO LEGEND	0	0
Off-On vertical	1	A
Off-On horizontal	-	B
I-O horizontal	8	D
I-O vertical	9	E
O on rocker end	-	F
II-O-I vertical	-	G
II-O-I horizontal	-	H

3 ACTUATOR COLOR	
B Black	W White

6 VISI-ROCKER END/LEGEND COLOR	
N	N/A
B	Black
V	Visi-red
W	White

Notes:  
Additional ratings (including 14V T) & color options are available; Consult factory.  
1 Rated 12A 125VAC, 6A 250 VAC, 1/4HP 125-250VAC.  
2 Rated 8A 125-250VAC, 1/4HP 125-250VAC.  
3 Additional colors available. Consult factory for details.  
4 Available with Visi-Rocker option only.  
( ) Indicates momentary function.



RECOMMENDED PANEL OPENING	PANEL THICKNESS		A	B	TEST CUT HOLE IN ACTUAL MATERIAL
	.030 [.76]-.050 [1.27]	.508 [12.90]	.756 [19.20]		
	.050 [1.27]-.078 [1.98]	.508 [12.90]	.764 [19.40]		
	.078 [1.98]-.125 [3.17]	.508 [12.90]	.780 [19.81]		

\*Manufacturer reserves the right to change product specification without prior notice.