

# LS-Series

## Rocker Switches

The LS-Series Softspot illuminated rocker switches feature a three-color high brightness light sequence, from a single lamp. These switches are designed with a standard nylon snap-in bracket and "Drip-Dry" construction that protects the front panel from dust and moisture, and is ideal for Marine and Transportation industry applications.



**Carling Technologies®**

Innovative Designs. Powerful Solutions.

Innovative Designs. Powerful Solutions.

Carling Technologies, Inc.  
60 Johnson Avenue • Plainville, CT 06062-1177  
Phone: (860) 793-9281 • Fax: (860) 793-9231  
Email: [sales@carlingtech.com](mailto:sales@carlingtech.com) • [www.carlingtech.com](http://www.carlingtech.com)

### Dielectric Strength

1000V - live to dead metal parts

### Electrical Life

50,000 cycles - maintained  
25,000 cycles - momentary

### Mechanical Life

100,000 cycles

### Operating Temperature

0°F to 150°F (-17.8°C to +65.6°C)

**LS1511 - 13 - BL - BL - 012**

1  
Base Part Number

2  
Lighting Sequence

3  
Actuator Color

4  
Base Color

5  
Lamp Voltage

#### 1 BASE PART NUMBER: SERIES/POLES/ILLUMINATION/CIRCUITRY/RATING/TERMINATION<sup>3</sup>

**10A 250VAC, 15A 125VAC, 3/4 HP 125-250VAC, 15A 15-28VDC**

Single Pole	Solder Lug	.250 Tab QC	.187 Tab QC	Wire Leads
On-None-Off	LS1510	LS1511	LS1514	LS1515
(On)-None-Off	LS1520	LS1521	LS1524	LS1525
On-None-On	LS1530	LS1531	LS1534	LS1535
On-None-(On)	LS1540	LS1541	LS1544	LS1545
On-Off-On	LS1550	LS1551	LS1554	LS1555
On-Off-(On)	LS1560	LS1561	LS1564	LS1565
(On)-Off-(On)	LS1570	LS1571	LS1574	LS1575
(On)-Off-(On)	LS1580	LS1581	LS1584	LS1585

#### 2 LIGHTING SEQUENCE<sup>1,2</sup>

	position 1	position 2	position 3
01	red	red	red
02	amber	amber	amber
03	green	green	green
10	red	---	none
11	red	clear	red
12	red	clear	amber
13	red	clear	green
14	red	clear	blue
15	red	clear	clear
20	amber	---	none
21	amber	clear	red
22	amber	clear	amber
23	amber	clear	green
24	amber	clear	blue
25	amber	clear	clear
30	green	---	none
31	green	clear	red
32	green	clear	amber
33	green	clear	green
34	green	clear	blue
35	green	clear	clear
40	blue	---	none
41	blue	clear	red
42	blue	clear	amber
43	blue	clear	green
44	blue	clear	blue
45	blue	clear	clear
50	clear	---	none
51	clear	clear	red
52	clear	clear	amber
53	clear	clear	green
54	clear	clear	blue
55	clear	clear	clear

#### 3 ACTUATOR COLOR<sup>4</sup>

BL Black  
WH White

#### 4 BASE COLOR<sup>4</sup>

BL Black  
WH White

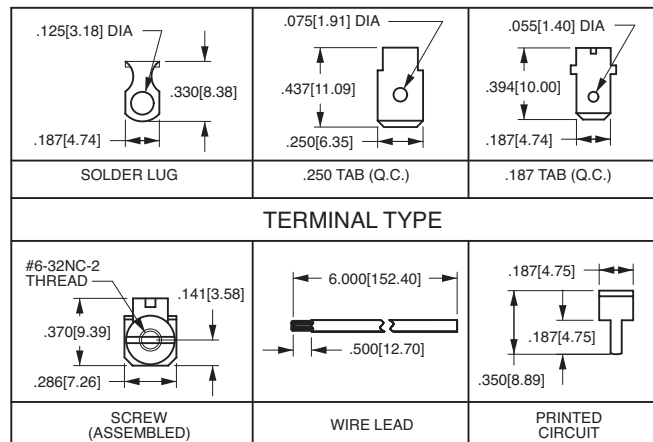
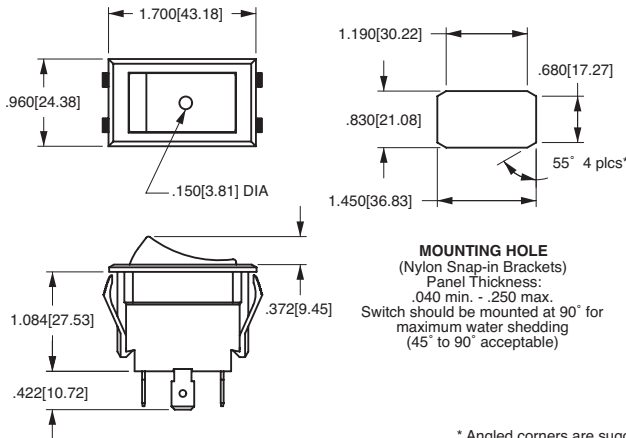
#### 5 LAMP VOLTAGE<sup>2</sup>

**incandescent**  
6V 6 volt  
12V 12 volt  
18V 18 volt  
24V 24 volt  
28V 28 volt

**neon**  
125N 125 volt neon  
250N 250 volt neon

Notes:

- 1 Independent lamp is standard. Dependent lamp with ON-OFF function (including momentary) is available with Lighting Sequences - 10, 20, 30, 40 and 50. (No light in OFF position.)
- 2 Green and blue not recommended with 125 volt or 250 volt neon lamps.
- 3 Additional terminations available. Consult factory.
- 4 Custom colors available. Consult factory.
- ( ) Indicates momentary function.



\* Angled corners are suggested for optimum fit. Standard rectangular cutout is acceptable.

\*Manufacturer reserves the right to change product specification without prior notice.